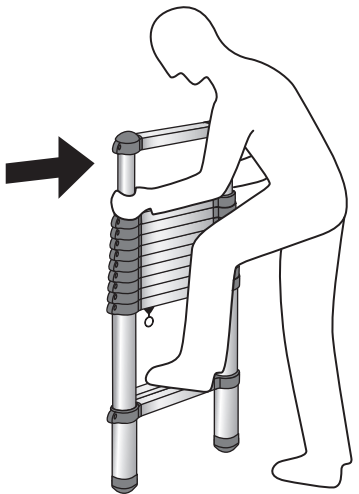
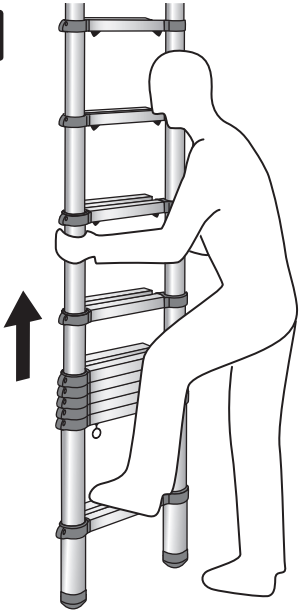
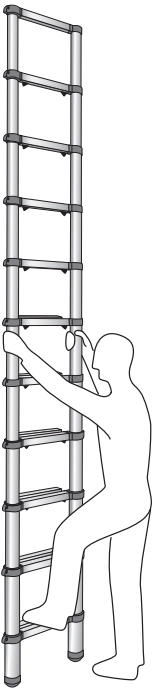
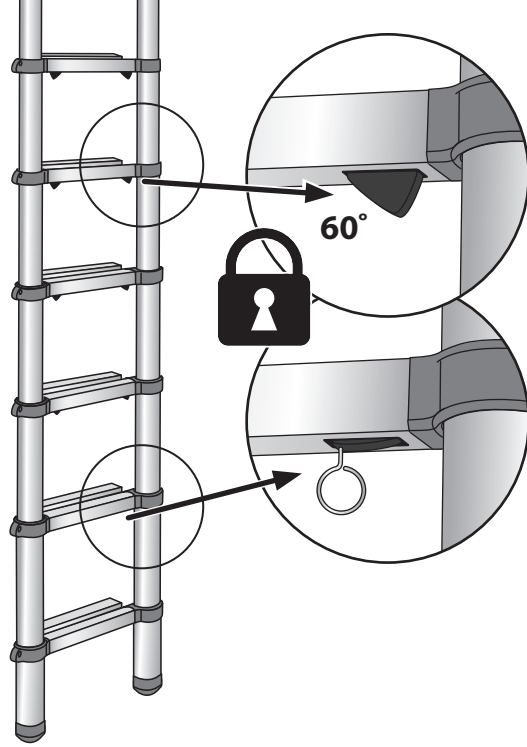
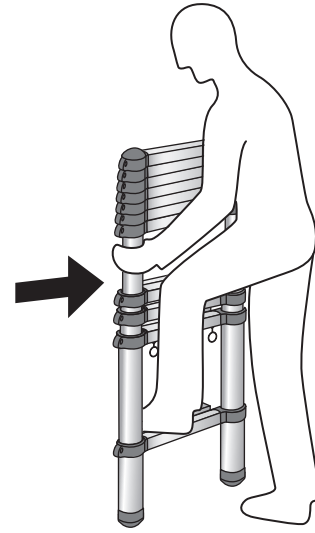
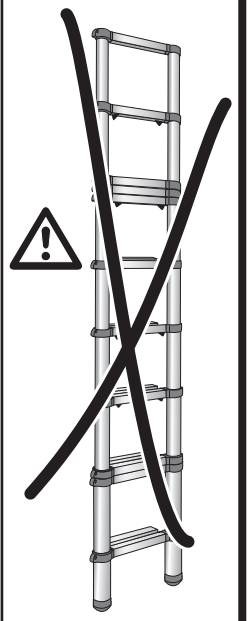
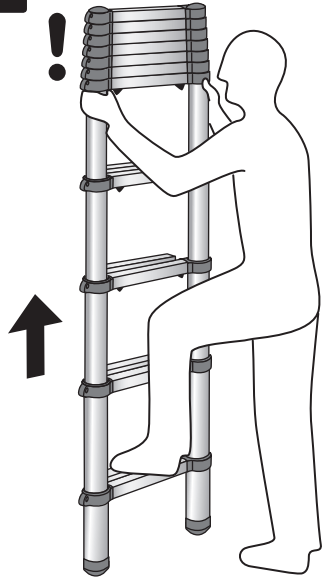
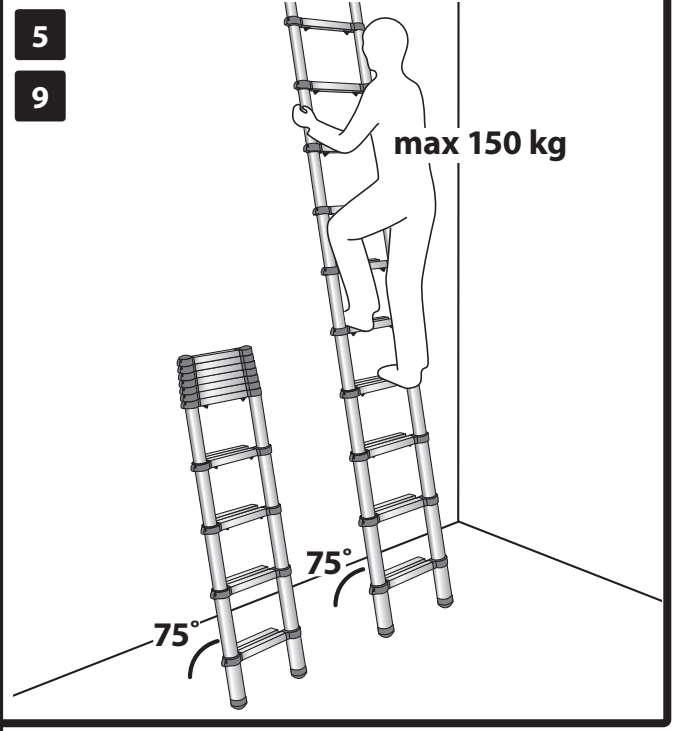
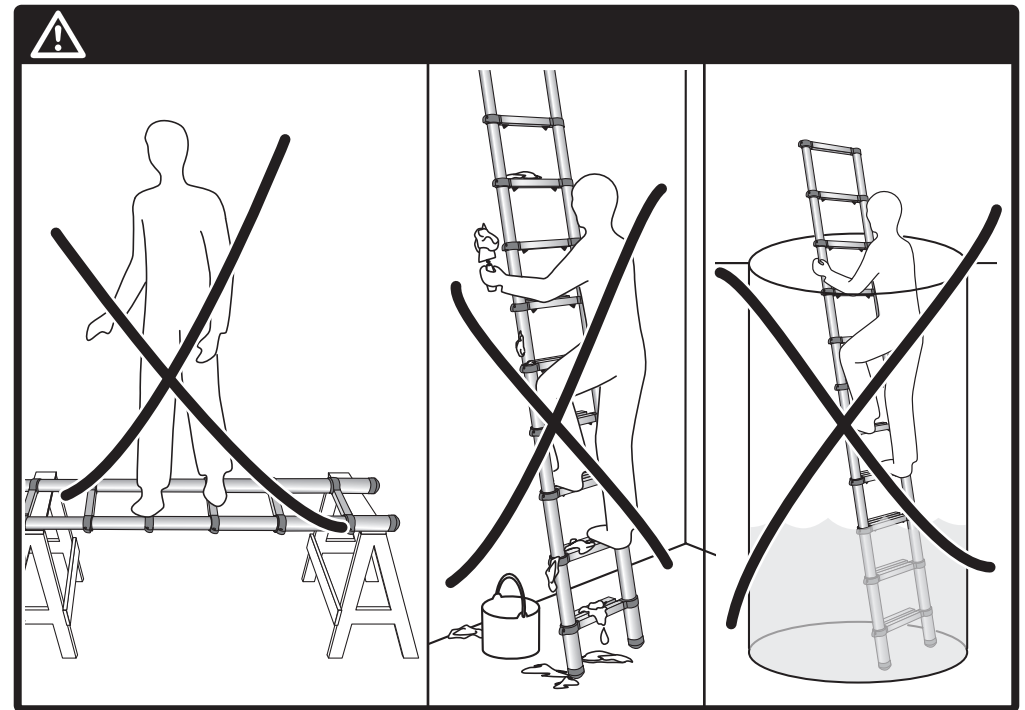
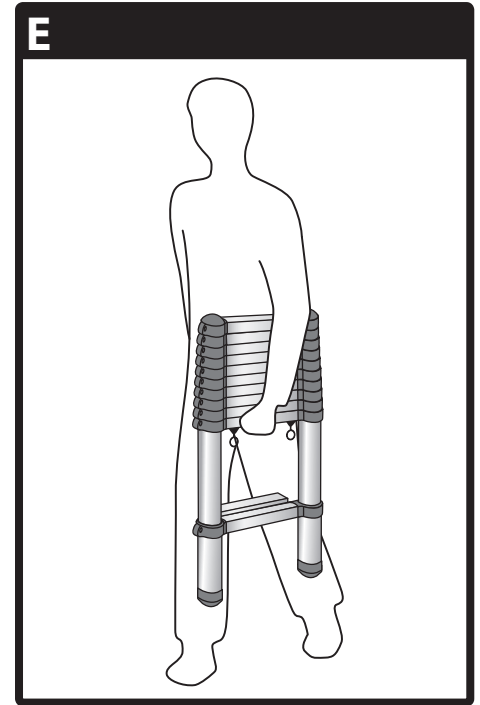
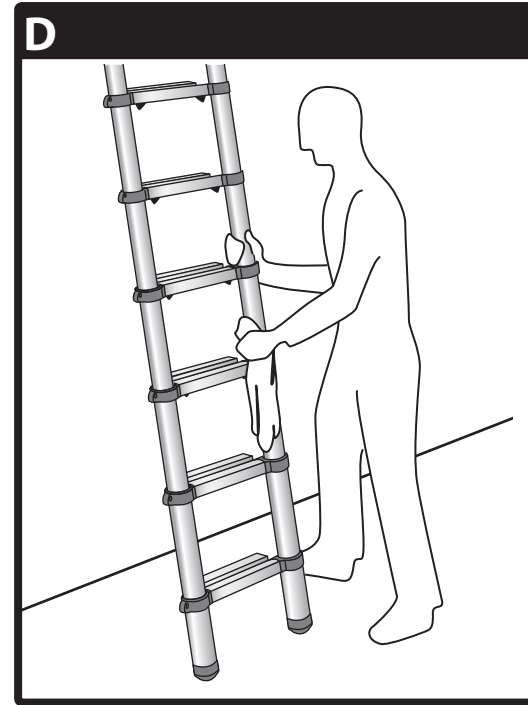
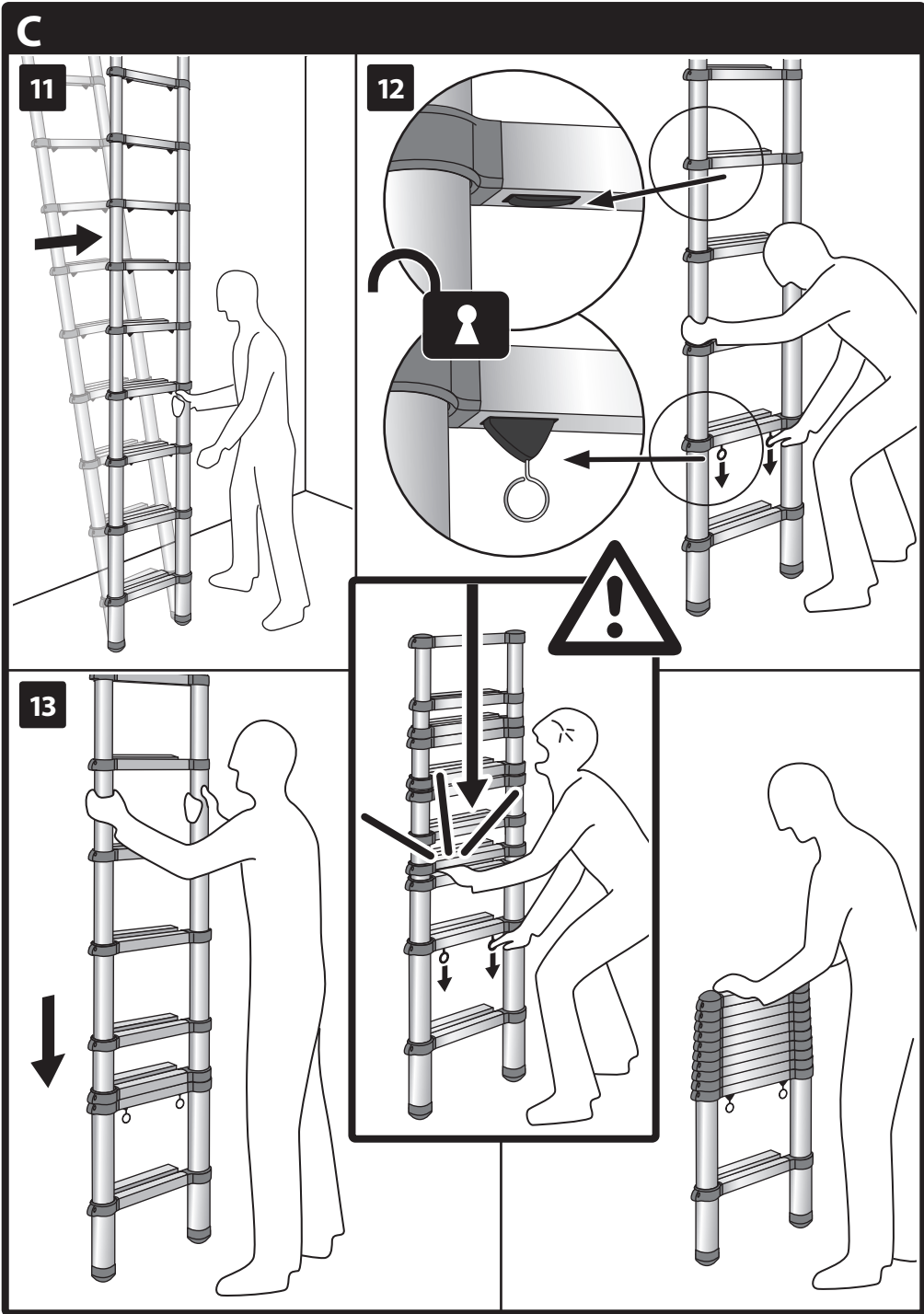


TELESTEPS
No.1 in telescopic work tools



| | | |
|----|----------------|---------|
| GB | U.K. & Ireland | 2-5 |
| BG | България | 6-10 |
| CZ | Česko | 11-14 |
| DE | Deutschland | 15-19 |
| DK | Danmark | 20-23 |
| EE | Eesti | 24-27 |
| ES | España | 28-31 |
| FI | Suomi | 32-35 |
| FR | France | 36-40 |
| GR | Ελλάδα | 41-45 |
| HU | Magyarország | 46-49 |
| IT | Italia | 50-53 |
| LT | Lietuva | 54-57 |
| LV | Latvija | 58-61 |
| NL | Nederland | 62-66 |
| NO | Norge | 67-70 |
| PL | Polska | 71-75 |
| PT | Portugal | 76-79 |
| RO | România | 80-83 |
| RU | Россия | 84-88 |
| SE | Sverige | 89-92 |
| SI | Slovenija | 93-96 |
| SK | Slovensko | 97-100 |
| TR | Türkiye | 101-104 |

A**1****2****3****4****8****B****6****7****5****9**



INSTRUCTIONS

GB

The telescopic ladder, with its unique design, can be expanded from a compact size to full or medium length.

In order to retain the characteristics and function of the ladder it must be used, managed and maintained as described in the instructions.

CAUTION! The telescopic ladder must always be properly locked when in use. Always check that all opened rung sections are locked before you climb the ladder. Check carefully the locking catches with pull rings.

A Opening the ladder to full length

The telescopic ladder locks automatically when you open it up. Each section has its own locking device. Opening the ladder to full length:

1. Position the ladder upright on a firm, level surface. Hold the ladder still with a foot on the bottom rung. **Begin to open the ladder from the top:** Take hold of the top rung and pull it upwards until the rung section locks.
2. Continue to open the next rung section. Check that the locking catches protrude to 60°.
3. Continue to open the rung sections until the ladder is completely opened to its full length. The rung sections lock automatically as they are extended.
4. **Check that all rung sections are locked:** The locking catches shall protrude to 60°. The 2nd step from the bottom has locking catches with pull rings. They are locked when fully **inserted** in the rung. Only the pull rings can be seen under the rung when the ladder is locked. If necessary, adjust the ladder so that all rung sections are in the locked position.
5. Once you have checked that all rung sections are locked, you can use the ladder. Position the ladder steadily with an angle of inclination of 75° in relation to the ground.

CAUTION! The leaning ladder should lean against a flat non-fragile surface and should be secured before use, e.g. tied or use of a suitable stability device.

B Opening the ladder to medium length

Opening the telescopic ladder to any intermediate length:

6. Position the telescopic ladder upright on a firm, level surface. Hold the ladder still with a foot on the bottom rung. Take hold around the rung, which you choose to be the upper rung, and pull upwards until the rung section locks.
7. Continue to open the ladder until all rung sections **below** are opened, and the remaining sections are packed together on the top of the ladder. Check that the locking catches protrude to 60°.
8. **Check that all opened rung sections are locked:** The locking catches shall protrude to 60°. The 2nd step from the bottom has locking catches with pull rings. They are locked when fully **inserted** in the rung. Only the pull rings can be seen under the rung when the ladder is locked. If necessary, adjust the ladder so that all rung sections are in the locked position.
9. Once you have checked that all opened rung sections are locked, you can use the ladder. Position the ladder steadily with an angle of inclination of 75° in relation to the ground.

NB! You cannot shorten an already opened ladder. If you need to make the ladder shorter, you must first close the ladder completely and then open it to the intermediate length required.

C Closing the ladder

Collapse the telescopic ladder as follows:

10. Clean the ladder if required (see below).
11. Hold the ladder upright in such a way that you **do not catch your fingers** when you are unlocking and closing the ladder: hold the telescopic tube a short way up the ladder to gain better balance.
12. Pull down the pull rings with the other hand, one at a time, until the locking mechanism is released and the ladder can be closed. (Sometimes you need to pull the first ring a second time).
13. Hold the ladder's telescopic tubes a little way up the ladder and close it **carefully** using both hands.

CAUTION RISK OF INJURY! Do not put your hands on or between the rungs when you are unlocking and closing the ladder. Close each rung section carefully.

D Cleaning

For reasons of safety and functionality, the telescopic ladder must always be kept clean, particularly the telescopic tubes and rungs. Dirt, filings, paint spots, glue etc. must be wiped away after each use, and before the ladder is closed. Clean the ladder using a rag and a small amount of solvent. Once clean, the telescopic tubes can be treated with silicon spray. Spray in the tube and wipe dry with paper or a cloth. The ladder must always be kept dry so that dust does not cling to it.

E Transport and storage

Carry the telescopic ladder upright in its compact format so that it does not expand and open up. Always transport the telescopic ladder completely closed and compacted. This protects the telescopic tubes against impact and damage that could impair the functionality of the ladder. When transporting the ladder on roof bars or in a truck, ensure it is suitably placed to prevent damage.

The telescopic ladder shall be stored

- completely closed in compact format
- away from areas where its condition could deteriorate more rapidly (e.g. dampness, excessive heat, exposed to the elements)
- where it cannot be damaged by vehicles, heavy objects, or contaminants
- where it cannot cause a trip hazard or an obstruction
- where it cannot be easily used for criminal purposes, preferably padlocked
- secured against unauthorised climbing (e.g. by children) if it is permanently positioned (e.g. on scaffolding).

Before Use

- The owner of the ladder shall provide the user with the user manual.
- Inspect the ladder after delivery and before first use to confirm condition and operation of all parts.
- Ensure that you are fit enough to use a ladder. Certain medical conditions or medication,

INSTRUCTIONS

GB

alcohol or drug abuse could make ladder use unsafe.

- Visually check the ladder is not damaged and is safe to use at the start of each working day when the ladder is to be used, see "Care and maintenance" below.
- For professional users regular periodic inspection is required.
- Ensure the ladder is suitable for the task.
- Do not use a damaged ladder.
- Remove any contamination from the ladder, such as wet paint, mud, oil or snow.
- Before using a ladder at work a risk assessment should be carried out respecting the legislation in the country of use.
- The ladder shall be used and stored at an ambient temperature of -20°C to 60 °C.

Positioning

- Check that the ladder is properly locked before use.
- The ladder shall be erected at the correct position, with an angle of inclination of 75° in relation to the ground, and with the rungs level.
- The ladder shall be on an even, level and unmovable base. The ladder must not lean sideways, have no load on one foot or be positioned on slippery surfaces.
- The leaning ladder should lean against a flat non-fragile surface and should be secured before use, e.g. tied or use of a suitable stability device. Do not lean the ladder against its rungs – use the stiles.
- The ladder shall never be repositioned from above.
- Take into account risk of collision with the ladder e.g. from pedestrians, doors or vehicles.
- Identify any electrical risks in the work area, such as overhead lines or other exposed electrical equipment.
- The ladder shall be stood on its feet, not the rungs.
- Ladders shall not be positioned on slippery surfaces (such as ice, shiny surfaces or significantly contaminated solid surfaces) unless additional effective measures are taken to prevent the ladder slipping or ensuring contaminated surfaces are sufficiently clean.

INSTRUCTIONS

GB

Use

- The maximum load for the ladder is 150 kg.
- The ladder must not be used with irregular section heights.
- Do not stand on the top three rungs of a leaning ladder.
- The ladder must not be used suspended.
- The ladder must not be opened, closed or used upside down.
- The ladder must not be used in a horizontal position or as a bridge. In an emergency situation the ladder can be used as a stretcher, provided it is not extended more than 2 metres.
- Do not use the ladder for dirty work or in dirty environments. If, for example, the ladder is used for bricklaying, concreting or painting, over time it may become hard to keep it clean, impairing the telescopic function.
- Do not use the ladder in wells filled with water, as dirt can get into the telescopic tubes and impair function.
- Do not subject the telescopic tubes to impact or other rough treatment. Damage to the tubes impairs the telescopic function.
- The pull rings of the locking mechanism must not be connected to each other in any way.
- Do not overreach. User should keep their belt buckle (navel) inside the stiles and both feet on the same step/rung throughout the task.
- Do not step off a leaning ladder at a higher level without additional security, such as tying off or use of a suitable stability device.
- Ladders should only be used for light work of short duration.
- Use non-conductive ladders for live electrical work.
- Do not use the ladder outside in adverse weather conditions, such as strong wind.
- Take precautions against children playing on the ladder.
- Secure doors (not fire exits) and windows where possible in the work area.
- Face the ladder when ascending and descending.
- Keep a secure grip on the ladder when ascending and descending.
- Wear suitable footwear when climbing a ladder.
- Avoid excessive side loadings e.g. drilling brick and concrete.
- Do not spend long periods on a ladder without regular breaks (tiredness is a risk).

- Leaning ladders used for access to a higher level should be extended at least 1 m above the landing point.
- Equipment carried while using a ladder should be light and easy to handle.
- Maintain a handhold whilst working from a ladder or take additional safety precautions if you cannot.

Care and maintenance

The telescopic ladder is a precision tool. Treat it with care and it will retain its unique properties.

Always keep the ladder clean, particularly the telescopic tubes.

The telescopic ladder must not be used without rubber feet (slip protection) and end caps. The end caps at the top of the ladder prevent dust, metal chips or similar from getting into the telescopic tubes and thus impairing the function of the ladder. The rubber feet and end caps of the ladder are parts that eventually wear out and can be obtained from retailers. Replace the caps when they start to wear.

The pull rings of the locking mechanism must not be replaced by other types of pull rings. Only genuine spare parts must be used for safety reason. If the pull rings need to be replaced, contact the local retailer.

Any repair work must always be carried out by an authorised service workshop. Don't use the ladder if it needs to be repaired. Contact the retailer.

NB! If the instruction decal on the ladder begins to wear and is difficult to read, you should order a new one. See the address at the back of the instructions or contact your local retailer.

Before use check that

- the stiles (uprights) are not bent, bowed, twisted, dented, cracked or corroded
- the telescopic tubes around the fixing points for other components are in good condition
- fixings (usually rivets, screws or bolts) are not missing, loose, or corroded
- rungs are not missing, loose, excessively worn, corroded or damaged
- rubber feet and end caps are not missing, loose, excessively worn, corroded or damaged
- the entire ladder is free from contaminants (e.g. dirt, mud, paint, oil or grease)
- locking catches are not damaged or corroded and function correctly.

CAUTION! If any of the above checks cannot be fully satisfied you should NOT use the ladder.

INSTRUCTIONS

GB

GUARANTEE CONDITIONS

The manufacturer guarantees that the product is free from material or manufacturing faults. If material or manufacturing faults, or damage due to material or manufacturing faults, can be proven, the buyer is entitled to have the product repaired or replaced in accordance with the local laws concerning sales of consumer goods in the country of purchase.

Extended guarantee

The manufacturer is responsible for faults in the product, for one year from the purchase date.

Scope of the guarantee

The manufacturer is not responsible for faults in the product, if it is clear that the fault is due to it:

- not being used as described in these instructions
- not being cleaned, cared for, maintained, stored or transported in accordance with these instructions
- being rebuilt, modified or subjected to other external damage or accident
- unintentionally being damaged by any object or substance
- being overloaded
- being repaired by an unauthorised service partner or if non original spare parts have been used
- being incorrectly set up.

The following are not considered as faults:

- normal wear and tear
- parts subjected to fair wear and tear.

Complaints

Proof of purchase must be presented for any guarantee claims. If the purchaser wishes to make a claim with regard to a fault, the dealer must be notified of the fault within a reasonable time after the fault has been discovered, or within the time period regulated by the country of purchase.

Service and repair

Any service or repair work must always be carried out by an authorised service workshop, which then determines suitable action in each individual case. In case of repairs, only original spare parts may be used. Contact your dealer to find the location of your nearest authorised service workshop, or consult the contact information at the back of the instructions.

Телескопичната стълба е разтегателна стълба, която благодарение на уникалната си конструкция може да се разтегля от компактно състояние до цялата или междинна дължина.

За да се запазят качествата и функцията на стълбата, тя трябва да се използва, почиства и поддържа съгласно описаното в упътването.

ПРЕДУПРЕЖДЕНИЕ! Телескопичната стълба трябва винаги да бъде правилно застопорена, когато се използва. Преди качване върху стълбата проверявайте винаги дали всички изтеглени стъпала са в застопорено положение. Проверявайте особено застопоряващите лостове с изтеглящите пръстени.

A Изтегляне на стълбата до цялата ѝ дължина

Телескопичната стълба се застопорява автоматично при изтеглянето ѝ. Всеки сегмент има собствен застопоряващ механизъм.

Изтегляне на стълбата до цялата ѝ дължина:

1. Изправете стълбата върху равна и твърда повърхност. Сложете единия си крак върху долното стъпало. **Започнете да я изтягате отгоре:** Хванете най-горното стъпало и започнете да изтегляте нагоре, докато сегментът се изтегли.
2. След това изтеглете следващия сегмент. Уверете се, че застопоряващите лостове падат под ъгъл от 60°.
3. Продължете с изтеглянето на сегментите до изтегляне на стълбата до цялата ѝ дължина. Сегментите на стълбата се застопоряват автоматично поетапно.
4. **Проверете дали всички секции на стълбата са застопорени:** застопоряващите лостове трябва да са застанали под ъгъл от 60°. Предпоследното стъпало е снабдено със застопоряващи лостове с изтеглящи пръстени. Те са в заключено положение, когато са **пъхнати** в стъпалото. Само изтеглящите пръстени се виждат под стъпалото, когато стълбата е заключена. Ако е необходимо, регулирайте стълбата така, че всички сегменти да застанат в застопорено положение.
5. След като проверите дали всички секции на стълбата са застопорени, можете да я използвате. Поставете стълбата стабилно под наклон от 75°.

ПРЕДУПРЕЖДЕНИЕ! Подпиращата се стълба следва да се опре върху равна и твърда повърхност и да се обезопаси преди употреба, например като се завърже или стабилизира по подходящ начин.

B Изтегляне на стълбата до междинна дължина

Изтегляне на стълбата до междинна дължина по желание:

6. Изправете телескопичната стълба върху равна и твърда повърхност. Сложете единия си крак върху долното стъпало. Хванете стъпалото, което ще бъде най-отгоре на изтеглената телескопична стълба, и го изтеглете нагоре, докато сегментът се застопори.
7. Продължете да изтегляте стълбата, докато изтеглите всички секции отдолу, а секциите, които няма да се използват, са събрани най-отгоре. Уверете се, че застопоряващите лостове падат под ъгъл от 60°.
8. **Проверете дали всички изтеглени секции на стълбата са застопорени:** застопоряващите лостове трябва да са застанали под ъгъл от 60°. Предпоследното стъпало е снабдено със застопоряващи лостове с изтеглящи пръстени. Те са в заключено положение, когато са **пъхнати** в стъпалото. Само изтеглящите пръстени се виждат под стъпалото, когато стълбата е заключена. Ако е необходимо, регулирайте стълбата така, че всички сегменти да застанат в застопорено положение.
9. След като проверите дали всички изтеглени секции на стълбата са застопорени, можете да я използвате. Поставете стълбата стабилно под наклон от 75°.

Забележка! Не можете да скъсите изтеглена вече стълба. Ако трябва да скъсите стълбата, трябва първо да я приберете изцяло, след което да я изтеглите до желана междинна дължина.

C Свиване на стълбата

Свийте телескопичната стълба по следния начин:

10. Ако е необходимо, почистете стълбата (вижте по-долу)

11. Дръжте стълбата така, че да **не се прещипете при** отключване и свиване на стълбата: дръжте се за телескопичната тръба малко по-нависоко за по-добър баланс.
12. С другата ръка дръпнете надолу изтеглящите пръстени един по един, докато застопоряващият механизъм се отключи; сега можете да свиете стълбата. (Понякога се налага да дръпнете първия пръстен още веднъж).
13. Хванете телескопичните тръби малко по-нависоко и приберете стълбата **внимателно** с двете ръце.

ОПАСНОСТ ОТ ПРИСКРИПВАНЕ НА РЪЦЕТЕ! При освобождаване и свиване на стълбата не дръжте ръцете си върху или между стъпалата. Свивайте всеки сегмент внимателно.

D Почистване

От съображения за безопасност и правилно функциониране телескопичната стълба трябва да се поддържа винаги чиста, особено телескопичните тръби и сегментите на стълбата. Измивайте или забърсвайте мръсотията, стърготините, петната от боя, лепило и т.н. след всяко използване на стълбата, преди да я приберете. Почиствайте стълбата с кърпа, напоена с малко разтворител. След почистването можете да обработите телескопичните тръби със силиконов спрей. Напръскайте тръбите и ги забършете с хартия или кърпа. Стълбата трябва да е винаги суха, за да се избегне полепването на прах по нея.

E Пренасяне и съхраняване

Носете телескопичната тръба в компактен вид и изправена, за да не се отвори.

Пренасяйте я винаги изцяло прибрана в компактен вид. Така ще предпазите телескопичните тръби от удари и повреди, които могат да влошат функционирането на стълбата. Застопорявайте стълбата стабилно при пренасянето ѝ върху багажник за покрив или в камион, за да не се повреди.

Телескопичната тръба трябва да се съхранява

- изцяло прибрана в компактен вид
- при условия, които не водят до износването ѝ (напр. влага, горещина, до нагревател)

- така, че да не бъде унищожена от превозни средства, тежки предмети или замърсяване.
- на места, където няма да пречи или да представлява опасност от спъване
- така, че да не може да се използва за престъпни цели, за предпочитане застопорена
- обезопасена срещу неподходящо използване (напр. от деца), ако изправена трайно (напр. при строеж).

Преди употреба

- Собственикът на стълбата трябва да се увери, че потребителят има достъп до наръчника.
- Преди използване на стълбата за първи път след доставянето ѝ следва да проверите дали е в добро състояние и дали всички части функционират.
- Здравословното Ви състояние трябва да позволява използването на стълбата. Някои здравословни състояния, лекарства, злоупотреба с алкохол и наркотици може да застрашат Вашата безопасност.
- С оглед на безопасното използване на стълбата, тя следва да се инспектира преди всяко използване, за да се уверите, че няма повреди, вж. "Грижа и поддръжка" по-долу.
- При професионално използване на стълбата следва да се инспектира редовно.
- Уверете се, че стълбата е подходяща за извършваната работа.
- Не използвайте повредена стълба.
- Отстранете мръсотията като мокра боя, кал, масло и сняг.
- Преди използване на стълбата следва да се направи анализ на риска и да се спазват местните разпоредби.
- Стълбата може да се използва и съхранява при околна температура на въздуха от -20°C до 60°C.

Поставяне на стълбата

- Уверете се, че стълбата е правилно застопорена, преди да я използвате.
- Стълбата трябва да се постави правилно, под ъгъл от 75° спрямо земята и с хоризонтални стъпала.
- Стълбата трябва да стои здраво върху равна, хоризонтална и твърда повърхност. Стълбата не бива да е наклонена странично, единият от краката да е ненатоварен или да е поставена върху плъзгава повърхност.
- Подпиращата се стълба следва да се опре върху равна и твърда повърхност и да се обезопаси преди употреба, например като се завърже или стабилизира по подходящ начин. Не наклоняйте стълбата към стъпалата, а към тръбите.
- Стълбата не бива да се мести на друго място откъм отгоре.
- Внимавайте за опасността от сблъскване на пешеходци, автомобили или врати в стълбата.
- Идентифицирайте всички електрически рискове на работното място, като въздушни електрически линии и друго незащитено електрическо оборудване.
- Стълбата трябва да се постави върху крачетата, а не върху стъпалата.
- Стълбата не бива да се поставя върху плъзгава повърхност (напр. лед, полирана или силно замърсена повърхност), ако не се вземат мерки да не се плъзга или ако не се почисти повърхността.

Използване

- Максимално допустимото натоварване върху стълбата е 150 кг.
- Стълбата не бива да се използва с неравномерна височина на стъпалата.
- Не стойте върху трите най-горни стъпала върху подпираща се стълба.
- Никога не използвайте стълбата висяща.
- Не изтегляйте, не прибирайте и не използвайте стълбата с долната част нагоре.
- Никога не използвайте стълбата в хоризонтално положение или като мост. В спешни ситуации можете да я използвате като носилка с максимална дължина от 2 м.
- Не използвайте стълбата при дейности, свързани с цапане, или в замърсени среди. При използване на стълбата например при

зидарски, бетонни и бояджийски дейности с времето може да стане трудно почистването ѝ и телескопичната функция може да се влоши.

- Не използвайте стълбата в пълни с вода шахти, тъй като има опасност от проникване на мръсотия в телескопичните тръби и влошаване на функцията им.
- Пазете телескопичните тръби от удари и работете внимателно с тях. Повреди по тръбите влошават разтегателната функция на стълбата.
- Не свързвайте по никакъв начин изтеглящите пръстени един към друг.
- Не се протягайте твърде много настрани. Токата на колана на потребителя (пъла) трябва да бъде в границите на страниците на стълбата, а двата му крака върху същото стъпало през цялото време по време на работа.
- Не слизайте от подпираща се стълба от по-голяма височина без допълнително обезопасяване, като завързване на стълбата или използване на подходящ застопоряващ механизъм.
- Стълбата следва да се използва само за по-леки работи за кратки периоди.
- Не използвайте проводяща стълба за електрически работи.
- Не използвайте стълбата навън при лошо време, напр. при силен вятър.
- Внимавайте деца да не играят със стълбата.
- Заклучете вратите (без аварийните изходи) и прозорците на работното място, ако е възможно.
- Качвайте се и слизайте от стълбата с лице към нея.
- Дръжте се здраво за стълбата, когато се качвате и слизате.
- Използвайте подходящи обувки, когато използвате стълбата.
- Избягвайте работа с прекалено голямо натоварване встрани, напр. пробиване в стена или бетон.
- Не стойте продължително време върху стълба, без да правите редовни почивки (опасност от преумора).
- Подпираща се стълба, която се използва за достигане до по-високо равнище, трябва да стърчи поне 1 метър над мястото, където ще слезете.

- Използвайте само леко и лесно използваемо оборудване при работа върху стълбата.
- Дръжте се здраво с едната ръка, когато работите върху стълбата, или вземете други предпазни мерки, ако не можете да се дръжте с едната ръка.

Грижа и поддръжка

Тази телескопична стълба е прецизен инструмент. Работете с нея внимателно, за да се запазят уникалните ѝ качества.

Поддържайте я винаги чиста, особено телескопичните тръби.

Не използвайте телескопичната стълба без гумените крачета (защита от плъзгане) и горните предпазители. Горните предпазители предотвратяват попадането на прах, стърготини и др. подобни в телескопичните тръби и влошаването на функцията им. Гумените крачета на стълбата и горните предпазители са износващи се детайли. Резервни части можете да намерите от търговеца, от когото сте закупили стълбата. Сменете предпазителите, когато започнат да се износват.

Не сменяйте изтеглящите пръстени с други видове изтеглящи пръстени. От съображения за безопасност използвайте само оригинални части. Свържете се с Вашия търговец, ако изтеглящите пръстени се нуждаят от смяна.

Ремонтите по телескопичната стълба трябва да се извършват от квалифициран сервизен техник. Не използвайте стълбата, ако се нуждае от ремонт; свържете се с търговеца.

Забележка! Поръчайте нова табелка с указания, ако тази върху стълбата започне да се износва и да се чете трудно. Вижте адреса върху задната страна на упътването или се свържете с Вашия местен търговец.

Преди употреба проверете дали

- телескопичните тръби не са огънати, извити, вдлъбнати, пукнати или разядени
- телескопичните тръби са цели при съединенията
- не липсват железни части (нитове, винтове и т.н.), дали не са разхлабени или разядени
- не липсват стъпала, дали не са разхлабени, износени, разядени или повредени
- не липсват гумени крачета и горни предпазители, дали не са разхлабени, износени, разядени или повредени

- цялата стълба е чиста (няма мръсотия, кал, боя, масло или мазнина по нея)
- застопоряващите механизми не са повредени или разядени и дали функционират правилно.

ПРЕДУПРЕЖДЕНИЕ! Не използвайте стълбата, ако откриете някой от горните дефекти.

ГАРАНЦИОННИ УСЛОВИЯ

Производителят гарантира, че продуктът няма производствени дефекти или дефекти в материала. При доказване на производствен дефект или дефект в материала или щета, възникнала в резултат на производствен дефект или дефект в материала, купувачът има право продуктът да бъде ремонтиран или заменен съгласно действащите закони относно продажба на потребителски стоки в страната, където продуктът е закупен.

Разширена гаранция

Производителят носи отговорност за дефекти по продукта, възникнали в рамките на една година от първоначалната дата на закупуване.

Обхват

Производителят не носи отговорност за дефекти по продукта, ако може да се докаже, че дефектът е в резултат на

- неизполване на продукта съгласно описаното в упътването
 - неспазване на посочените в упътването указания за почистване, грижа, поддръжка, съхраняване или пренасяне
 - изменение, променяне или излагане на продукта на друга външна повреда или инцидент
 - неволно повреждане на уреда от чужди предмети или материали
 - пренатоварване
 - ремонт от неоторизиран сервизен център или използване на неоригинални резервни части
 - неправилен монтаж на продукта
- Следните не се смятат за дефекти:
- нормално износване
 - нормално използване на износващи се детайли

УПЪТВАНЕ

Рекламация

За да важи гаранцията, трябва да се покаже квитанцията за покупката. Купувачът следва да уведоми търговеца за дефекти, които желае да рекламира, в разумен срок след откриване на дефекта или в срока **съгласно разпоредбите** в страната, където е извършена покупката.

Сервиз и ремонт

Евентуален сервиз или ремонт трябва да се извърша само от оторизиран сервизен център, който във всеки един отделен случай преценява подходящите мерки. При извършване на ремонт следва да се използват винаги само оригинални резервни части. Свържете се с Вашия търговец за информация относно най-близкия оторизиран сервизен център или вижте адреса на задната страна на упътването.

BG

NÁVOD K POUŽITÍ

B Rozložení žebříku do střední délky

Rozložení teleskopického žebříku na libovolnou střední délku:

- Umístíte teleskopický žebřík rovně na vodorovný a tvrdý podklad. Podržte žebřík jednou nohou tak, že stoupnete na spodní příčku žebříku. Uchopte tu příčku žebříku, která bude u vysunutého teleskopického žebříku umístěna nejvýše a vytáhněte až do zajištění tohoto segmentu.
- Pokračujte ve vytahování až do úplného vysunutí těch segmentů, které jsou umístěny **pod** příčkou, kterou jste si zvolili za nejvyšší. Segmenty, které nebudete používat, musí být složeny ve vrchní části. Zkontrolujte, zda pojistka je v zapadlé poloze v úhlu 60°.
- Ujistěte se, že všechny otevřené příčkové segmenty jsou zaaretovány:** pojistky musí být zapadlé v úhlu 60°. Druhá nejnižší příčka žebříku má pojistky se zatahovacími kroužky. V zaaretované poloze jsou pojistky **zapuštěny** do příčky. Pokud je žebřík zaaretovaný, mohou být vidět pod příčkou pouze kroužky. V případě potřeby můžete žebříkem trhnout, aby došlo k řádnému zapadnutí všech segmentů.
- Po zkontrolování, že všechny vysunuté segmenty žebříku jsou zaletovány, můžete žebřík začít používat. Umístěte žebřík stabilně v úhlu sklonu 75°.

POZOR! Rozložený žebřík není možné v této poloze zkracovat. Pokud potřebujete žebřík zkrátit, musíte jej nejprve zcela složit a poté jej rozložit na libovolnou střední délku.

C Složení žebříku

Teleskopický žebřík složte následovně:

- Žebřík v případě potřeby řádně očistěte (viz níže).
- Držte žebřík v takové poloze, abyste se při jeho odaretování nebo skládání neskřípli: uchopte teleskopické trubky v jejich horní části, aby byl žebřík v rovnováze.
- Vytáhněte kroužky druhou rukou, jeden po druhém, aby se blokovácí mechanismus uvolnil a mohli jste žebřík složit. (Někdy se musí první zatahovací kroužek stáhnout znovu dolů).
- Uchopte žebřík za teleskopické trubky v jejich horní části a zasunujte žebřík za neustálé **kontroly** oběma rukama.

Teleskopický žebřík je vysouvací žebřík, který díky své unikátní konstrukci může být vysunut z kompaktního formátu na plnou délku nebo na určitou střední délku.

Aby byly zachovány vlastnosti a funkčnost žebříku, je velmi důležité dodržet rady a instrukce pro použití, ošetření a údržbu žebříku dle přiloženého návodu.

VAROVÁNÍ! Teleskopický žebřík musí být při použití vždy pevně zajištěn. Vždy zkontrolujte, že všechny vysunuté segmenty jsou zajištěné, než začnete lézt po žebříku. Zkontrolujte zejména pojistky a zatahovací kroužky.

A Rozložení žebříku do plné délky

Teleskopický žebřík se automaticky zaaretuje, když jej rozložíte. Každý segment má vlastní aretaci. Rozložení teleskopického žebříku do plné délky:

- Žebřík umístěte rovně na vodorovný a tvrdý podklad. Podržte žebřík jednou nohou tak, že stoupnete na spodní příčku žebříku. **Žebřík začněte rozkládat shora:** Uchopte horní příčku a vytáhněte ji nahoru, až segment žebříku zapadne.
- Pak vytáhněte další segment. Zkontrolujte, zda pojistka je v zapadlé poloze v úhlu 60°.
- Pokračujte v rozkládání segmentů žebříku, až je žebřík zcela rozložený do plné délky. Postupně dochází k automatickému zajištění pozice jednotlivých segmentů.
- Zkontrolujte, zda jsou všechny segmenty žebříku zajištěné:** pojistky mají být zapadlé v úhlu 60°. Druhá nejnižší příčka žebříku má pojistky se zatahovacími kroužky. V zaaretované poloze jsou pojistky **zapuštěny** do příčky. Pokud je žebřík zaaretovaný, mohou být vidět pod příčkou pouze kroužky. V případě potřeby můžete žebříkem trhnout, aby došlo k řádnému zapadnutí všech segmentů.
- Poté, co jste zkontrolovali, že všechny segmenty jsou zajištěné, můžete žebřík použít. Umístěte žebřík stabilně v úhlu sklonu 75°.

VAROVÁNÍ! Příložný žebřík musí být opřen o rovný a pevný povrch a zajištěn před použitím, např. tím, že jej pevně připoutáte nebo stabilizujete jiným smysluplným způsobem.

CZ

NÁVOD K POUŽITÍ

VAROVÁNÍ! RIZIKO SKŘÍPNUTÍ! Ndržte ruce na příčkách nebo mezi nimi při odaretování a skládání žebříku. Skládejte každý segment žebříku za neustálé kontroly.

CZ

D Čištění

Z bezpečnostních a funkčních důvodů má být teleskopický žebřík vždy udržován v čistotě, zejména teleskopické trubky a příčky. Nečistoty, prach, skvrny od barvy, lepidla a další znečištění je třeba umýt nebo otřít po každém použití, a než žebřík složíte. Žebřík čistěte pomocí hadříků s rozpouštědlem. Po vyčištění lze teleskopické trubky ošetřit silikonovým sprejem. Nastříkejte trubky sprejem a vytřete do sucha papírem nebo hadrem. Žebřík by měl být vždy suchý, aby nevázal prach.

E Přeprava a skladování

Teleskopický žebřík skladujte v kompaktním formátu a vzpřímené poloze, tak, aby se nemohl otevřít a rozložit.

Teleskopický žebřík musí být při transportu zcela uzavřený a v kompaktním formátu. Tím se chrání teleskopické trubky proti nárazu a poškození, které mohou mít negativní vliv na funkčnost žebříku. Upevněte žebřík při transportu bezpečně na střešním nosiči nebo v nákladním automobilu tak, aby se nemohl poškodit.

Teleskopický žebřík skladujte

- zcela složený v kompaktním formátu,
- v podmínkách, kde nedojde k jeho nepoškození (jako jsou vlhkost, teplo, blízko topných těles, apod.),
- tak, aby nemohl být poškozen vozidly, těžkými předměty nebo znečištěním,
- na místě, kde neprekáží nebo kde nehrozí nebezpečí klopýtnutí o něj,
- tak, aby nemohl být snadno zneužit pro kriminální účely, nejlépe zajištěný zámkem,
- zajištěný před použitím nepovolnou osobou (např. dětmi), pokud je umístěn trvale (např. u lešení).

Před použitím

- Majitel žebříku musí zajistit, aby uživatel měl k dispozici příručku.
- Před prvním použitím po dodávce je potřeba ověřit, že žebřík je v dobrém stavu a že všechny jeho části jsou funkční.
- Váš zdravotní stav musí dovolovat používání žebříku. Určitá onemocnění, léky, použití alkoholu nebo drog, mohou vést k bezpečnostním rizikům.
- Pro bezpečné používání žebříku by měl být tento kontrolován každý pracovní den za účelem ověření, že není poškozený, viz «Péče a údržba» níže.
- Pokud je žebřík používán k profesionálním účelům, musí být kontrolován pravidelně.
- Ujistěte se, že žebřík je vhodný pro vaši práci.
- Nepoužívejte poškozený žebřík.
- Odstraňte nečistoty, jako jsou vlhké barvy, bláto, olej a sněh.
- Před použitím žebříku pro práci je nutné provést analýzu rizik, a respektovat předpisy země, ve které je používán.
- Žebřík má být používán a skladován při teplotě okolí od -20°C do 60°C.

Umístění

- Ujistěte se, že žebřík je před použitím správně zaaretován.
- Žebřík musí být umístěn správně, se sklonem úhlu 75° vůči podkladu a s příčkami ve vodorovné poloze.
- Žebřík musí stát pevně na rovném, vodorovném a pevném povrchu. Žebřík se nesmí naklánět do strany, nesmí mít nezatižené nohy a nesmí být umístěn na kluzkém povrchu.
- Příložný žebřík musí být opřen o rovný a pevný povrch a zajištěn před použitím, např. tím, že jej pevně připoutáte nebo stabilizujete jiným smysluplným způsobem. Neopírejte žebřík o příčky, ale o postranní trubky.
- Žebřík nesmí být přemísťován na nové místo práce shora.
- Zvažte riziko, zda nemohou do postaveného žebříku narazit chodci, auta nebo dveře.
- Identifikujte všechna rizika spojená s elektrickým proudem na pracovišti, jako jsou volná vedení proudu a další nechráněná elektrická zařízení.
- Žebřík musí být postaven na nohy, ne na příčky.

- Žebřík se nesmí stavět na kluzký povrch (např. led, hladký povrch nebo značně znečištěné plochy), aniž by byla provedena opatření proti uklouznutí žebříku nebo aniž by byl povrch vyčištěn.

Použití

- Maximální povolené zatížení žebříku je 150 kg.
- Žebřík nesmí být používán s nepravdělnou výškou příček.
- Nestoupejte na tři nejvyšší příčky příložného žebříku.
- Žebřík nesmí být nikdy používán jako zavěšený.
- Žebřík se nesmí rozkládat, skládat ani používat v poloze vzhůru nohama.
- Žebřík se nesmí používat ve vodorovné poloze nebo jako přemostění. V případě nouze může být žebřík výjimečně použit jako nosítka, pokud délka nosítek nepřesahuje 2 metry.
- Nepoužívejte žebřík při práci, kde vzniká velké množství špíny, nebo ve znečištěném prostředí. Pokud například žebřík využíváte ve stavebnictví při zednických, betonářských nebo malířských pracích, může být časem obtížné jej vyčistit a jeho teleskopická funkce tím je ohrožena.
- Nepoužívejte žebřík v šachtách naplněných vodou, může to způsobit proniknutí nečistot do teleskopických trubek a ovlivnění jejich funkčnosti.
- Nevystavujte teleskopické trubky nárazům nebo jinému hrubému zacházení. Poškození trubek negativně ovlivňuje jejich teleskopickou funkci.
- Zatahovací kroužky se nesmí v žádném případě spojovat.
- Nevyklánějte se příliš daleko do stran. Během celého pracovního procesu na žebříku je zapotřebí, aby se preezka páska uživatele (popř. pupík) nacházela mezi postranicemi žebříku a jeho obě nohy byly na stejné příčce.
- Nevstupujte na příložný žebřík ve velkých výškách bez dalšího jištění, jako je například pevné uvázání žebříku nebo jiná vhodná stabilizační metoda.
- Žebříky by měl být používány pouze pro lehké práce a krátkodobě.
- Pro elektroinstalační práce používejte nevodivý žebřík.
- Nepoužívejte žebřík venku za špatného počasí, jako např. při silném větru.
- Dbejte na to, aby si s žebříkem nehrály děti.

NÁVOD K POUŽITÍ

CZ

- Zamkněte dveře (nikoli nouzové východy) a okna na pracovišti, pokud je to možné.
- Při lezení po žebříku nahoru a dolů stůjte vždy obličejem proti žebříku.
- Při lezení po žebříku nahoru a dolů se vždy dobře držte žebříku.
- Při práci na žebříku používejte vždy vhodnou obuv.
- Vyhněte se práci, která by vyžadovala velký náklon a zatížení směrem do strany, například vrtání do zdi nebo betonu.
- Nestůjte na dlouhou dobu na žebříku, aniž byste zařadili častější přestávky (únava je rizikový faktor).
- Příložný žebřík, který se používá k lezení na vyšší úroveň, by měl přesahovat alespoň 1 metr nad místo výstupu.
- Při práci na žebříku používejte pouze lehké a jednoduché vybavení.
- Pokud je to možné, přidržujte se při práci na žebříku jednou rukou žebříku, případně přijměte jiná vhodná opatření.

Péče a údržba

Váš teleskopický žebřík je přesný nástroj. Zacházejte s žebříkem opatrně a tak, aby si zachoval své jedinečné vlastnosti.

Udržujte žebřík vždy čistý, především teleskopické trubky.

Teleskopický žebřík nesmí být používán bez gumových nožiček (ochrana proti smeknutí) a ochranných krytů. Ochranné kryty zabraňují pronikání prachu, kovových špon a podobně do teleskopických trubek, což by mohlo jinak narušit funkčnost žebříku. Gumové nožičky žebříku a ochranné kryty jsou opotřebitelné díly, dodávané prodejcem. Vyměňte tyto ochranné prvky, pokud jsou opotřebené.

Zatahovací kroužky se nesmí měnit za jiné druhy a typy takových kroužků. Z bezpečnostních důvodů smí být použity pouze originální díly. Kontaktujte svého prodejce, pokud je nutné zatahovací kroužky vyměnit.

Teleskopický žebřík smí být opravován pouze kvalifikovaným personálem. Nepoužívejte teleskopický žebřík, pokud vyžaduje opravu, ale obraťte se na svého prodejce.

NÁVOD K POUŽITÍ

POZOR! Objednejte si nový štítek s instrukcemi, pokud štítek na žebříku začíná být opotřebovaný a špatně čitelný. Viz adresa na zadní straně návodu k použití nebo kontaktujte svého místního prodejce.

CZ

Zkontrolujte před použitím, že

- teleskopické trubky nejsou ohnuté, zkroucené, promáčknuté, popraskané nebo zkorodované
- teleskopické trubky jsou na všech spojích nepoškozené
- žádné kování (nůty, šrouby, atd.) nechybí, není uvolněné nebo zkorodované
- příčky nechybí, nejsou uvolněné, opotřebované, zkorodované nebo poškozené
- gumové nožičky a ochranné kryty nechybí, nejsou volné, opotřebované, zkorodované nebo poškozené
- celý žebřík je čistý (bez nečistot, bláta, barvy, oleje nebo maziva)
- aretovací zařízení nejsou poškozena nebo zkorodovaná, a že fungují správně.

VAROVÁNÍ! Nepoužívejte žebřík, pokud zjistíte vady, které jsou popsány výše.

ZÁRUČNÍ PODMÍNKY

Výrobce zaručuje, že výrobek je bez vady materiálu a zpracování. V případě prokazatelné vady materiálu nebo zpracování, nebo škody vzniklé v důsledku vady materiálu nebo zpracování, které jsou prokazatelné, má kupující nárok na opravu nebo výměnu výrobku v souladu se zákony o prodeji spotřebního zboží, které jsou platné v zemi nákupu.

Rozšířená záruka

Výrobce je odpovědný za vady výrobku, které se vyskytnou v průběhu jednoho roku od data původní koupě.

Rozsah

Výrobce není odpovědný za vady výrobku, pokud je pravděpodobné, že vada vznikla v důsledku

- používání výrobku jiným způsobem, než je popsáno v návodu k použití
- nedostatečného čištění, údržby, skladování nebo transportu, neodpovídajícího návodu k použití
- přestavby, změny nebo vystavení jinému vnějšímu poškození nebo nehodě
- náhodného poškození cizími předměty nebo látkami
- přetížení

- opravy neautorizovaným servisním partnerem, nebo použitím jiných než originálních náhradních dílů
 - nesprávné instalace.
- Za vadu není považováno
- běžné opotřebování
 - běžná spotřeba opotřebitelných dílů.

Reklamacce

Pro platnost záruky je nutné předložit účtenku o nákupu. Kupující musí oznámit prodejci závadu, kterou chce reklamovat, v přiměřené lhůtě poté, co byla závada zjištěna, nebo ve lhůtě stanovené v zemi nákupu.

Servis a opravy

Jakékoli služby nebo opravy by měly být vždy prováděny výhradně autorizovaným servisním střediskem, které v každém jednotlivém případě provede posouzení a navrhne vhodné opatření. Při opravě je nutné používat vždy originální náhradní díly. Kontaktujte svého prodejce pro zjištění, kde se nachází nejbližší autorizované servisní středisko, nebo vyhledejte adresu na zadní straně návodu k použití.

Die **Teleskopleiter** ist eine ausziehbare Leiter, die sich dank ihrer einzigartigen Konstruktion aus einem kompakten Format entweder auf ihre volle Länge oder auf eine Zwischenlänge erweitern lässt.

Zur Bewahrung der Eigenschaften und Funktionsfähigkeit der Leiter ist es von allergrößter Bedeutung, dass sie gemäß der Gebrauchsanweisung benutzt, gepflegt und gewartet wird.

WARNING! Die Teleskopleiter muss stets ordnungsgemäß eingerastet sein, bevor sie benutzt wird. Überprüfen Sie stets, dass alle ausgezogenen Sprossensegmente arretiert sind, bevor Sie auf die Leiter steigen. Überprüfen Sie insbesondere die Sperrriegel mit Zugringen.

A Ausziehen der Leiter auf volle Länge

Die Teleskopleiter rastet automatisch ein, wenn sie ausgezogen wird. Jedes Segment hat seinen eigenen Sperrmechanismus. Die Teleskopleiter wie folgt auf volle Länge ausziehen:

1. Leiter aufrecht auf einen waagerechten und harten Untergrund stellen. Die Leiter mit einem Fuß auf der untersten Sprosse stabilisieren. **Die Leiter von oben beginnend ausziehen:** Die oberste Sprosse ergreifen und nach oben ziehen, bis das Sprossensegment einrastet.
2. Dann das nächste Sprossensegment ausziehen. Überprüfen, ob die Sperrriegel in einem 60°-Winkel herunterfallen.
3. Mit dem Ausziehen der Sprossensegmente fortsetzen, bis die Leiter zu voller Länge ausgezogen ist. Die Segmente rasten automatisch nacheinander ein.
4. **Prüfen, ob sämtliche Sprossensegmente arretiert sind:** Die Sperrriegel müssen in einem 60°-Winkel heruntergefallen sein. Die zweitunterste Sprosse besitzt Sperrriegel mit Zugringen. In arretierter Position sind die Riegel in der Sprosse **versenkt**. Nur die Zugringe dürfen unter der Sprosse sichtbar sein, wenn die Leiter eingerastet ist. Bei Bedarf etwas an der Leiter rütteln, sodass alle Sprossensegmente in der Verriegelungsposition einrasten.
5. Wenn überprüft ist, dass alle Sprossensegmente arretiert sind, können Sie die Leiter benutzen. Die Leiter standsicher in

GEBRAUCHSANWEISUNG

einem Neigungswinkel von 75° zum Boden aufstellen.

WARNING! Die Anlegeleiter muss gegen eine ebene und feste Fläche gelehnt und vor der Benutzung gesichert werden, beispielsweise durch Festbinden oder eine andere sinnvolle Methode zur Stabilisierung.

DE

B Ausziehen der Leiter auf Zwischenlänge

Die Teleskopleiter wie folgt auf beliebige Zwischenlänge ausziehen:

6. Teleskopleiter aufrecht auf einen waagerechten und harten Untergrund stellen. Die Leiter mit einem Fuß auf der untersten Sprosse stabilisieren. Leiter an der Sprosse festhalten, die bei der ausgezogenen Teleskopleiter ganz oben liegen soll, und nach oben ziehen, bis das Segment einrastet.
7. Mit dem Ausziehen der Leiter fortsetzen, bis sämtliche Sprossensegmente ausgezogen sind und die nicht verwendeten Sprossensegmente gesammelt oben liegen. Überprüfen, ob die Sperrriegel in einem 60°-Winkel herunterfallen.
8. **Prüfen, ob sämtliche ausgezogenen Sprossensegmente arretiert sind:** Die Sperrriegel müssen in einem 60°-Winkel heruntergefallen sein. Die zweitunterste Sprosse besitzt Sperrriegel mit Zugringen. In arretierter Position sind die Riegel in der Sprosse **versenkt**. Nur die Zugringe dürfen unter der Sprosse sichtbar sein, wenn die Leiter eingerastet ist. Bei Bedarf etwas an der Leiter rütteln, sodass alle Sprossensegmente in der Verriegelungsposition einrasten.
9. Wenn überprüft ist, dass alle ausgezogenen Sprossensegmente arretiert sind, können Sie die Leiter benutzen. Die Leiter standsicher in einem Neigungswinkel von 75° zum Boden aufstellen.

GEBRAUCHSANWEISUNG

ACHTUNG! Eine bereits ausgezogene Leiter kann nicht verkürzt werden. Soll die Leiter verkürzt werden, muss sie zuerst komplett zusammengeschoben und dann auf die gewünschte Zwischenlänge ausgezogen werden.

DE

C Zusammenschieben der Leiter

Die Teleskopleiter wie folgt zusammenschieben:

- 10 Falls erforderlich, die Leiter reinigen (siehe unten).
- 11 Die Leiter auf so eine Weise aufrecht halten, dass Sie sich beim Entriegeln und Zusammenschieben der Leiter **nicht klemmen**. Ergreifen Sie dazu die Teleskopstange im oberen Bereich der Leiter, um Ungleichgewicht zu vermeiden.
12. Die Zugringe mit der anderen Hand einzeln nacheinander nach unten ziehen. Dadurch löst sich die Arretierung und die Leiter lässt sich zusammenschieben. (Manchmal muss der erste Zugring ein zweites Mal nach unten gezogen werden.)
13. Die Leiter im oberen Bereich an den Teleskopstangen halten und die Leiter **kontrolliert** mit beiden Händen zusammenschieben.

KLEMMGEFAHR! Die Hände nicht auf oder zwischen die Sprossen legen, wenn Sie die Leiter entriegeln und zusammenschieben. Jedes Sprossensegment kontrolliert zusammenschieben.

D Reinigung

Aus Sicherheits- und Funktionsgründen muss die Teleskopleiter stets sauber gehalten werden, insbesondere die Teleskopstangen und Sprossensegmente. Schmutz, Späne, Farbspritzer, Klebstoffreste usw. müssen nach jedem Gebrauch vor dem Zusammenschieben der Leiter abgewischt oder abgewaschen werden. Die Reinigung erfolgt mit einem Lappen mit etwas Lösungsmittel. Nach der Reinigung können die Teleskopstangen mit Silikon spray behandelt werden. Stangen einsprühen und mit Papier oder einem Tuch trockenwischen. Die Leiter muss immer trocken sein, damit kein Staub daran haften bleibt.

E Transport und Lagerung

Die Teleskopleiter im Kompaktformat und aufrecht tragen, sodass sie nicht auseinandergleiten und sich öffnen kann.

Die Teleskopleiter stets komplett zusammengeschoben im Kompaktformat transportieren. So werden die Teleskopstangen vor Stößen und Schäden geschützt, die die Funktion der Leiter beeinträchtigen können. Befestigen Sie die Leiter beim Transport sorgfältig auf dem Dachgepäckträger oder im Lastwagen, sodass sie nicht beschädigt wird.

Teleskopleiter wie folgt lagern:

- vollständig zum Kompaktformat zusammengeschoben,
- unter schonenden Bedingungen (nicht zu hohe Feuchtigkeit, Hitze, Nähe zu Heizkörpern etc.),
- ohne Gefahr der Beschädigung durch Fahrzeuge, schwere Gegenstände oder Verschmutzung,
- an einem Ort, an dem die Leiter nicht stört und keine Stolpergefahr darstellt,
- nicht ohne Weiteres für kriminelle Zwecke nutzbar, gern mit Schloss gesichert,
- geschützt vor unbefugter Anwendung (z. B. durch Kinder), falls sie dauerhaft aufgestellt ist (z. B. an einem Baugerüst).

Vor dem Gebrauch

- Der Besitzer der Leiter muss dem Benutzer das Handbuch zur Verfügung stellen.
- Vor der ersten Verwendung nach Lieferung muss überprüft werden, ob die Leiter im guten Zustand ist und alle Teile funktionstüchtig sind.
- Ihr Gesundheitszustand muss die Nutzung der Leiter erlauben. Gewisse Gesundheitszustände, Arzneimittel und Alkohol- oder Drogenmissbrauch können Sicherheitsrisiken verursachen.
- Zur sicheren Nutzung der Leiter muss diese an jedem Einsatztag inspiziert werden, um sicherzustellen, dass keine Beschädigung vorliegt (siehe „Pflege und Wartung“ unten).
- Wenn die Leiter zur Gewerbsarbeit verwendet wird, muss sie regelmäßig inspiziert werden.
- Überprüfen Sie, ob die Leiter für die aktuelle Arbeit geeignet ist.
- Beschädigte Leitern nicht verwenden.
- Verschmutzungen wie feuchte Farbe, Lehm, Öl und Schnee entfernen.

- Vor Nutzung der Leiter ist eine Risikoanalyse durchzuführen, und die Bestimmungen des Landes, in dem sie genutzt wird, müssen beachtet werden.
- Die Leiter darf in einer Umgebungstemperatur von -20 °C bis 60 °C eingesetzt und gelagert werden.

Aufstellen

- Vor der Nutzung überprüfen, ob die Leiter ordnungsgemäß eingerastet ist.
- Die Leiter muss korrekt aufgestellt werden, mit einem Neigungswinkel von 75° zum Boden und horizontaler Lage der Sprossen.
- Die Leiter muss standsicher auf einem ebenen, waagerechten und festen Untergrund stehen. Die Leiter darf nicht seitlich geneigt stehen, einen unbelasteten Fuß aufweisen oder auf nicht rutschfestem Grund aufgestellt werden.
- Die Anlegeleiter muss gegen eine ebene und feste Fläche gelehnt und vor der Benutzung gesichert werden, beispielsweise durch Festbinden oder eine andere sinnvolle Methode zur Stabilisierung. Die Leiter nicht mit den Sprossen, sondern mit den Seitenrohren auflegen.
- Die Leiter darf nicht von oben in eine neue Position gebracht werden.
- Berücksichtigen Sie die Gefahr, dass beispielsweise Fußgänger, Autos oder Türen an die Leiter stoßen.
- Alle Gefahren durch elektrischen Strom am Arbeitsplatz identifizieren, beispielsweise Freileitungen und andere ungeschützte Stromvorrichtungen.
- Die Leiter darf nur auf ihren Füßen aufgestellt werden, nicht auf den Sprossen.
- Die Leiter darf nicht auf rutschigem Untergrund aufgestellt werden (z. B. Eis, glatte oder stark verschmutzte Flächen), ohne dass Maßnahmen gegen ein Verrutschen der Leiter vorgenommen werden oder der Untergrund gründlich gereinigt wird.

Gebrauch

- Die Leiter darf mit maximal 150 kg belastet werden.
- Die Leiter nicht mit ungleichmäßiger Stufenhöhe benutzen.
- Nicht auf den drei obersten Sprossen einer Anlegeleiter stehen.

GEBRAUCHSANWEISUNG

- Die Leiter niemals hängend benutzen.
- Die Leiter nicht auf den Kopf gestellt ausziehen, zusammenschieben oder benutzen.
- Die Leiter nicht in waagerechter Position oder als Brücke benutzen. In Notsituationen kann sie jedoch in einer Länge von höchstens 2 m als Trage eingesetzt werden.
- Die Leiter nicht bei Schmutz produzierenden Arbeiten oder in schmutzigen Umgebungen verwenden. Wird die Leiter beispielsweise bei Maurer- oder Betonarbeiten oder beim Malen verwendet, kann sie mit der Zeit schwer zu reinigen sein und die Teleskopfunktion beeinträchtigt werden.
- Die Leiter nicht in wassergefüllten Schächten verwenden, da dadurch Schmutz in die Teleskopstangen eindringen und die Funktion beeinträchtigen kann.
- Die Teleskopstangen vor Stößen schützen und behutsam handhaben, da Schäden an den Stangen die Teleskopfunktion beeinträchtigen.
- Die Zugringe dürfen nicht auf irgendeine Weise miteinander verbunden werden.
- Nicht zu weit zur Seite hinausrecken. Während der gesamten Arbeitszeit muss sich die Gürtelschnalle (bzw. der Nabel) des Benutzers innerhalb der Leiterseiten befinden und beide Füße müssen auf der gleichen Leitersprosse stehen.
- Nicht aus größerer Höhe von einer Anlegeleiter hinabsteigen, ohne für zusätzliche Absicherung zu sorgen, beispielsweise durch Festbinden oder eine andere sinnvolle Methode zur Stabilisierung.
- Leitern sollen nur für kurzfristige, leichtere Arbeiten verwendet werden.
- Für elektrische Arbeiten eine nicht leitende Leiter verwenden.
- Die Leiter bei schlechtem Wetter (z. B. starkem Wind) nicht im Außengelände einsetzen.
- Sorge dafür tragen, dass keine Kinder mit der Leiter spielen.
- Türen (keine Notausgänge) und Fenster am Arbeitsplatz abschließen, falls möglich.
- Beim Hinauf- und Hinabsteigen der Leiter das Gesicht zuwenden.
- Beim Hinauf- und Hinabsteigen gut an der Leiter festhalten.
- Bei der Benutzung der Leiter geeignete Schuhe tragen.

DE

GEBRAUCHSANWEISUNG

- Arbeiten vermeiden, die zu große seitliche Belastung verursachen, wie z. B. Bohren in Mauerwerk oder Beton.
- Nicht zu lange auf einer Leiter stehen, sondern regelmäßige Pausen einlegen (Müdigkeit ist ein Risikofaktor).
- Eine Anlegeleiter, die zum Erreichen einer höheren Ebene genutzt wird, muss mindestens 1 Meter über den Abstiegsort hinausragen.
- Beim Arbeiten auf der Leiter nur leichte und einfach zu handhabende Ausrüstung verwenden.
- Beim Arbeiten auf der Leiter mit einer Hand festhalten oder andere Sicherheitsvorkehrungen treffen, wenn das nicht möglich ist.

Pflege und Wartung

Ihre Teleskopleiter ist ein Präzisionsgerät. Behandeln Sie die Leiter daher sorgsam, damit sie ihre einzigartigen Eigenschaften behält.

Halten Sie die Leiter stets sauber, besonders die Teleskopstangen.

Die Teleskopleiter darf nicht ohne GummifüÙe (Gleitschutz) und Schutzkappen benutzt werden. Die Schutzkappen verhindern, dass Staub, Bohrspäne o. Ä. in die Teleskopstangen gelangen und so die Funktion der Leiter beeinträchtigen. GummifüÙe und Schutzkappen sind Verschleißteile, die im Fachhandel erhältlich sind. Der Schutz ist auszutauschen, sobald Verschleißerscheinungen auftreten.

Die Zugringe dürfen nicht durch andere Arten von Zugringen ersetzt werden. Aus Sicherheitsgründen dürfen nur Originalteile verwendet werden. Wenden Sie sich an Ihren Fachhändler, wenn die Zugringe ersetzt werden müssen.

Die Teleskopleiter muss von qualifiziertem Fachpersonal repariert werden. Die Teleskopleiter nicht benutzen, wenn sie repariert werden muss. Wenden Sie sich an Ihren Fachhändler.

ACHTUNG! Bestellen Sie bitte einen neuen Aufkleber, wenn das Hinweisschild an der Leiter abgenutzt und schlecht zu lesen ist. Bestelladresse siehe Rückseite der Gebrauchsanweisung oder wenden Sie sich an Ihren Fachhändler.

Vor der Benutzung überprüfen:

- Die Teleskopstangen sind nicht gebogen, verdreht, verbeult, gerissen oder korrodiert.
- Die Teleskopstangen sind an den Anschlussstellen unbeschädigt.
- Kein Beschlagteil (Nieten, Schrauben usw.) fehlt, ist locker oder korrodiert.
- Keine der Sprossen fehlt, ist locker, abgenutzt, korrodiert oder beschädigt.
- Weder GummifüÙe noch Schutzkappen fehlen, sind locker, abgenutzt, korrodiert oder beschädigt.
- Die gesamte Leiter ist sauber (frei von Schmutz, Lehm, Farbe, Öl oder Fett).
- Die Verriegelungsvorrichtungen sind nicht beschädigt oder korrodiert und funktionieren ordnungsgemäß.

WARNUNG! Die Leiter nicht verwenden, wenn oben genannte Fehler entdeckt werden.

GARANTIEBEDINGUNGEN

Der Hersteller garantiert, dass das Produkt frei von Material- und Produktionsfehler ist. Falls Material- oder Produktionsfehler bzw. Schäden, die aufgrund von Material- oder Produktionsfehlern entstanden sind, nachgewiesen werden können, hat der Käufer Anspruch auf Reparatur oder Austausch des Produkts, gemäß den im Einkaufsland geltenden Gesetzen über den Verkauf von Verbrauchsgütern.

Erweiterte Garantie

Der Hersteller übernimmt die Verantwortung für Produktfehler, die innerhalb eines Jahres ab dem ursprünglichen Kaufdatum auftreten.

Umfang

Der Hersteller übernimmt keine Verantwortung für Produktfehler, wenn es sich als wahrscheinlich erweist, dass der Fehler auf einen der folgenden Umstände zurückzuführen ist:

- Das Produkt wurde nicht gemäß der Gebrauchsanweisung benutzt.
- Das Produkt wurde nicht gemäß der Gebrauchsanweisung gereinigt, gepflegt, gewartet, gelagert oder transportiert.
- Das Produkt wurde umgebaut, modifiziert oder durch äußeren Einfluss oder einen Unfall beschädigt.
- Das Produkt wurde unbeabsichtigt durch fremde Gegenstände oder Stoffe beschädigt.
- Das Produkt wurde zu stark belastet.
- Das Produkt wurde von einem nicht zugelassenen Servicepartner repariert oder es wurden andere als die Originalteile verwendet.
- Das Produkt wurde falsch installiert.

Als Fehler gelten nicht:

- normaler Verschleiß
- normaler Verbrauch von Verschleißteilen.

GEBRAUCHSANWEISUNG

Reklamation

Voraussetzung für die Inanspruchnahme der Garantie ist die Vorlage der Kaufquittung. Der Käufer muss den Fachhändler über den zu reklamierenden Fehler innerhalb eines angemessenen Zeitraums nach Entdecken des Fehlers informieren bzw. innerhalb der Zeit, die im Einkaufsland vorgeschrieben ist.

Service und Reparatur

Eine eventuelle Wartung oder Reparatur ist stets von einer autorisierten Servicewerkstatt auszuführen, die in jedem einzelnen Fall die geeigneten Maßnahmen festlegt. Bei einer Reparatur müssen immer Originalersatzteile verwendet werden. Bitten Sie Ihren Fachhändler um Informationen über die nächste autorisierte Servicewerkstatt oder entnehmen Sie die Adresse der Rückseite der Gebrauchsanweisung.

BRUGSANVISNING

Teleskopstigen er en teleskopisk stige, hvis unikke konstruktion gør, at den kan skydes ud fra at være sammenskudt til fuld længde eller den længde, der er behov for.

For at bevare stigenes egenskaber og funktion, skal den anvendes, håndteres og vedligeholdes som beskrevet i brugsanvisningen.

ADVARSEL! Teleskopstigen skal altid være låst på korrekt vis, når den anvendes. Kontrollér altid, at alle udskudte stigesektioner er låst, inden du klatrer op på stigen. Vær specielt opmærksom på låsebøjlerne med trækringe.

A Skyd stigen ud til fuld længde

Teleskopstigen låses automatisk, når den trækkes ud. Hver sektion har sin egen låseanordning. Skyd teleskopstigen ud til fuld længde:

1. Placér stigen oprejst på et vandret og hårdt underlag. Hold stigen fast med en fod på det nederste trin. **Træk stigen ud med den øverste sektion først:** Tag fat i det øverste trin og træk opad, indtil stigesektionen går i lås.
2. Fortsæt derefter med den næstøverste sektion. Kontrollér, at låsebøjlerne falder ned i 60° vinkel.
3. Fortsæt med at trække stigesektionerne ud, indtil stigen er skudt ud i fuld længde. Stigesektionerne låses automatisk, efterhånden som de trækkes ud.
4. **Kontrollér, at alle stigesektioner er låst:** Låsebøjlerne skal være faldet ned i 60° vinkel. Det næstnederste stigetrin har låsebøjler med trækringe. De står i låst stilling, når de er **vippet ind** i trinnet. Det er kun trækningene, som må kunne ses under trinnet, når stigen er låst. Er det nødvendigt, kan man ruske i stigen, så alle stigesektioner går i lås.
5. Når det er kontrolleret, at alle stigesektioner er låst, kan stigen anvendes. Placér stigen stabilt med en hældning på 75°.

ADVARSEL! Den rejste stige skal lægges an mod en glat og fast flade, og den skal sikres før brug, f.eks. ved fastbinding eller stabilisering med en passende anordning.

B Skyd stigen ud til mellemlængde

Skyd stigen ud til ønsket, valgfri længde:

6. Placér teleskopstigen oprejst på et vandret og hårdt underlag. Hold stigen fast med en fod på det nederste trin. Tag fat i det trin, der skal være det øverste og træk opad indtil sektionen går i lås.
7. Fortsæt på denne måde, indtil alle sektioner **nedenunder** er trukket ud, og de sektioner, der ikke skal bruges ligger samlede øverst. Kontrollér, at låsebøjlerne falder ned i 60° vinkel.
8. **Kontrollér, at alle udtrukne stigesektioner er låst:** Låsebøjlerne skal være faldet ned i 60° vinkel. Det næstnederste stigetrin har låsebøjler med trækringe. De står i låst stilling, når de er **vippet ind** i trinnet. Det er kun trækningene, som må kunne ses under trinnet, når stigen er låst. Er det nødvendigt, kan man ruske i stigen, så alle stigesektioner går i lås.
9. Når det er kontrolleret, at alle udtrukne stigesektioner er låst, kan stigen anvendes. Placér stigen stabilt med en hældning på 75°.

Bemærk! Man kan ikke afkorte en allerede udtrukket stige. Er det nødvendigt at forkorte stigen, skal stigen først skydes helt sammen og dernæst åbnes igen til den ønskede længde.

C Skyde stigen sammen

Skyd stigen sammen på følgende måde:

10. Rengør stigen hvis det er nødvendigt (se herunder).
11. Hold stigen oprejst på en sådan måde, at du **ikke kan komme i klemme**, når sektionerne låses op og skydes sammen: Hold i teleskoprøret et stykke oppe på stigen, så opnår du en god balance.
12. Træk ned i trækningene med den anden hånd, en ad gangen, så låsemekanismen udløses, og stigen kan skydes sammen. (undertiden skal der trækkes i den første trækning en gang til).
13. Hold i stigenes teleskoprør et stykke oppe på stigen, **så du har styr på den**, og skyd den sammen med begge hænder.

KLEMFARE! Hold ikke hænderne på eller mellem stigenes trin, når du skyder stigen ud og sammen. Lås hver sektion for sig, så du har fuld kontrol over stigen.

D Rengøring

Af sikkerheds- og funktionsmæssige årsager skal teleskopstigen altid holdes ren, dette gælder specielt for teleskoprør og trin. Snavs, savsmuld, stænk af maling, lim og lignende skal vaskes af eller tørres væk efter hver anvendelse af stigen, inden den skydes sammen. Gør stigen ren med en fugtet klud tilsat lidt opløsningsmiddel. Efter rengøring kan man behandle teleskoprørene med silikonespray. Spray silikonen på rørene og tør efter med papir eller en klud. Stigen skal altid være tør, så den ikke binder støv.

E Transport og opbevaring

Stigen bæres i sammenskudt tilstand og lodret, så sektionerne ikke låser sig op og åbner sig.

Teleskopstigen skal altid transporteres i sammenskudt tilstand. På den måde beskyttes teleskoprørene mod stød og slagskader, som kan forringe stigenes funktion. Ved transport på tagbroer eller på lastbillad skal stigen fastspændes, så den ikke tager skade.

Stigen skal opbevares

- helt sammenskudt og låst
- under forhold, som ikke slider på den (f.eks. fugt, varme, ved radiatorer)
- så den ikke kan beskadiges/ødelægges af køretøjer, tunge genstande eller forurening
- hvor den ikke står i vejen og man kan falde over den
- så den ikke uden videre kan anvendes i kriminelt øjemed (den bør være fastlåst)
- sikret mod utilsigtet anvendelse (f.eks. af børn), hvis den anvendes permanent (f.eks. ved byggestilladser).

Før anvendelse

- Stigenes ejer skal sørge for, at brugeren har adgang til håndbogen.
- Før stigen tages i brug første gang, skal man kontrollere, at den er i god stand og at alle dele fungerer, som de skal.
- Din helbredstilstand skal tillade, at du kan anvende stigen. Visse helbredstilstande,

BRUGSANVISNING

medicin og alkohol- eller narkotikamisbrug, kan medføre sikkerhedsrisiko.

- For at stigen skal være sikker at anvende, skal den hver dag ved arbejdsdagens begyndelse kontrolleres for evt. skader (se vedligeholdelse herunder).
- Anvendes stigen professionelt, skal den kontrolleres med regelmæssige mellemrum.
- Kontrollér, at stigen kan anvendes til det aktuelle arbejde.
- Anvend ikke en beskadiget stige.
- Fjern snavs som f.eks. våd maling, ler, olie og sne.
- Inden stigen anvendes, skal evt. risici overvejes (risikoanalyse). Nationale sikkerhedsregler skal overholdes.
- Stigen kan anvendes og opbevares i omgivende lufttemperaturer på mellem -20 °C og +60 °C.

Placering

- Kontrollér, at stigen er korrekt låst, inden du anvender den.
- Stigen skal placeres korrekt, med en hældningsvinkel på 75° i forhold til underlaget og med vandrette trin.
- Stigen skal stå stabilt på et jævnt, vandret og fast underlag. Stigen må ikke hælde til siden, kun stå på det ene ben eller rejses på et glat underlag.
- Den rejste stige skal lægges an mod en plan og fast flade, og den skal sikres før brug, f.eks. ved fastbinding eller stabilisering med en passende anordning. Støt stigen mod rørene - ikke mod trinnene.
- Stigen må ikke flyttes til en ny placering oppefra.
- Vær opmærksom på risikoen for, at f.eks. fodgængere, biler eller døre kan støde ind i stigen.
- Fastlæg alle el-risici på arbejdsstedet som luftledning og andet ubeskyttet el.
- Stigen skal stå på benene og må ikke hvile på et eller flere trin.
- Stigen må ikke stilles på et glat underlag (f.eks. is, blanke eller kraftigt snavsede flader), hvis der ikke sørges for, at den ikke kan skride. Alternativt skal underlaget gøres ordentlig rent.

DK

Anvendelse

- Stigen må maksimalt belastes med 150 kg.
- Stigen må ikke anvendes med uregelmæssig trinafstand.
- Stå ikke på de tre øverste trin på en rejst stige.
- Stigen må ikke anvendes hængende.
- Stigen må ikke anvendes, skydes ud eller skydes sammen, hvis den står med undersiden opad.
- Stigen må ikke anvendes liggende eller som bro. I en nødsituation kan stigen anvendes som bære, hvis længden ikke er over 2 meter.
- Anvend ikke stigen til snavsset arbejde eller i snavsede omgivelser. Hvis stigen f.eks. anvendes til murearbejde, betonarbejde eller malerarbejde, kan den med tiden blive svær at rengøre, og teleskopfunktionen kan fungere dårligt.
- Anvend ikke stigen i vandfyldte brønde, det kan medføre, at der trænger snavs ind i teleskoprørene, hvilket vanskeliggør funktionen.
- Udsæt ikke teleskoprørene for slag eller anden hårdhændet behandling. Skader på rørene nedsætter teleskopfunktionen.
- Trækningene må ikke på nogen måde kobles sammen.
- Stræk dig ikke for langt ud til siden. Under arbejde på stigen skal brugerens bæltespænde (midje) holdes inden for stogens ben og begge fødder hele tiden stå på det samme trin
- Kryb ikke af en rejst stige i højden, uden at stigen er faldsikret, f.eks. bundet fast eller fastlåst/fastspændt med en passende, stabiliserende anordning.
- Stiger er kun beregnet til lettere arbejde i kortere tid.
- Anvend en ikke elektrisk ledende stige ved arbejde med el.
- Anvend ikke stigen udendørs i dårligt vejr, f.eks. i stærk vind.
- Sørg for, at børn ikke leger med stigen.
- Lås døre (ikke nødudgange) og vinduer på arbejdsstedet, hvis dette er muligt.
- Når du klatrer op og ned ad stigen, skal ansigtet være vendt mod stigen.
- Hold ordentligt fast i stigen, når du klatrer op og ned.
- Anvend egnede sko, når du anvender stigen.
- Undgå at arbejde med for stor sideværts belastning under boring i mur eller beton.

- Stå ikke i længere perioder på en stige uden regelmæssige pauser (træthed er en risiko).
- En rejst stige, som anvendes til at komme op på et højere niveau, skal stikke mindst 1 meter op over afstigningsniveauet.
- Anvend kun let og lethåndterligt udstyr, når du arbejder på stigen.
- Hold fast med en hånd når du arbejder på stigen, eller tag de nødvendige forholdsregler, hvis dette ikke er muligt.

Behandling og vedligeholdelse

Teleskopstigen er et præcisionsværktøj. Stigen skal behandles med forsigtighed, så den beholder sine unikke egenskaber.

Hold altid stigen ren, dette gælder specielt teleskoprørene.

Teleskopstigen må ikke anvendes uden gummifødder (glidesikring) og topbeskyttelse. Topbeskyttelsen forhindrer, at støv, boresmuld eller lignende kommer ind i teleskoprørene og nedsætter stogens funktion. Stogens gummifødder og topbeskyttelse er sliddele, som kan fås som reservedele hos forhandleren. Udskift disse, når de bliver slidt.

Trækningene må ikke udskiftes med andre typer trækninge. Af sikkerhedsmæssige årsager må der kun anvendes originale reservedele. Kontakt forhandleren, hvis trækningene skal udskiftes.

Teleskopstigen skal repareres af en kvalificeret reparatør. Anvend ikke teleskopstigen, hvis den skal repareres, kontakt forhandleren.

Bemærk! Bestil en ny anvisningsmærkat, hvis mærkaten på stigen begynder at blive slidt og vanskelig at læse. Se adressen på brugsanvisningens bagside eller kontakt din lokale forhandler.

Kontrollér før brug at:

- teleskoprørene ikke er bøjedede, vredne, bulede, tærede eller har revner
- teleskoprørene er hele ved samlingerne
- beslag (nitter, skruer etc.) ikke mangler, sidder løst eller er tærede
- stigetrippene ikke mangler, er løse, nedslidte, tærede eller på anden måde beskadigede
- gummifødder og topbeskyttelse ikke mangler, er løse, nedslidte, tærede eller beskadigede
- hele stigen er ren (ingen snavs, ler, maling, olie eller fedt)
- låseanordningerne ikke er beskadigede eller tærede, og at de fungerer som de skal.

ADVARSEL! Anvend ikke stigen, hvis du konstaterer en af ovenstående fejl.

GARANTIBETINGELSER

Producenten garanterer, at produktet er uden materiale- og produktionsfejl. Hvis der kan påvises materiale- eller produktionsfejl eller skader, som er opstået på grund af materiale- eller produktionsfejl, har køber ret til at få produktet repareret eller ombyttet iht. Købeloven.

Udvidet garanti

Producenten påtager sig ansvaret for fejl på produktet, som opstår under det første år regnet fra den oprindelige købsdato.

Omfang

Producenten påtager sig ikke ansvar for fejl på produktet, hvis det kan sandsynliggøres, at fejlen skyldes, at det

- ikke har været anvendt på den måde, der er beskrevet i brugsanvisningen
 - ikke har været rengjort, passet, vedligeholdt, opbevaret eller transporteret iht. brugsanvisningen
 - er bygget om, modificeret eller påført anden ydre skade eller uheld
 - er uagtsomt beskadiget af fremmede genstande eller stoffer
 - har været overbelastet
 - er repareret af uautoriseret servicepartner, eller hvis der er anvendt andre reservedele end originale reservedele
 - er opsat forkert.
- Som fejl betragtes ikke
- normal slidage
 - slid på sliddele, der fås som reservedele.

Reklamation

For at garantien skal gælde, skal købskvittering kunne fremvises. Køberen skal underrette sælger om fejl, som han/hun vil reklamere over, inden for rimelig tid efter at fejlen er konstateret, eller inden for den periode, der er angivet i Købeloven.

Service og reparation

Eventuel service eller reparation skal altid udføres af et autoriseret serviceværksted, som i hvert enkelt tilfælde skal foretage en bedømmelse af passende afhjælpning af fejlen. Ved reparation skal der altid anvendes originale reservedele. Kontakt din forhandler for at få at vide, hvor det nærmeste autoriserede serviceværksted findes. Adressen kan også findes på brugsanvisningens bagside.

KASUTUSJUHEND

Teleskoopredel on teleskoopjalgadega redel, mida tänu unikaalsele konstruktsioonile saab kokkupandud asendist avada nii täispikkuses kui ka poolpikkuses.

Redeli töökorras hoidmiseks tuleb seda käsitada ja hooldada vastavalt käesoleva kasutusjuhendi juhistele.

HOIATUS! Kasutamise ajal peavad teleskoopredeli osad olema alati korralikult paigale lukustunud. Kontrollige alati enne redelile astumist, et kõik väljatõmmatud redeliosad on paigale lukustunud. Kontrollige kindlasti lukustussakke koos tõmberõngastega.

A Redeli avamine täispikkuses

Teleskoopredeli osad lukustuvad välja tõmmates automaatselt paigale. Igal sektsioonil on oma lukustus. Teleskoopredeli avamine täispikkuses:

1. Asetage redel püsti kõvale horisontaalsele alusele. Toetage jalg alumisele redelipulgale ja hoidke redel paigal. **Hakake redelit ülevalt avama:** Haarake ülemisest redelipulgast kinni ja tõmmake ülespoole, kuni sektsioon lukustub.
2. Seejärel avage järgmine redelisektsioon. Kontrollige, et lukustussakid langevad alla 60-kraadise nurga all.
3. Jätkake redelisektsioonide väljatõmbamist, kuni redel on täispikkuses avatud. Redelisektsioonid lukustuvad üksteise järel automaatselt.
4. **Kontrollige, et kõik redeliosad on lukustunud:** lukustussakid peavad alla langema 60-kraadise nurga all. Alt teise redelipulga küljes on lukustussakid tõmberõngastega. Redelipulga sees on need lukustatud asendis. Kui redel on lukustatud, tohivad redeliastme alt paista üksnes tõmberõngad. Vajadusel reguleerige redelit, kuni kõik redeliosad on paigale lukustunud.
5. Kui olete kontrollinud, et kõik redeliosad on paigale lukustunud, võite redelit kasutama hakata. Asetage redel kindlalt 75-kraadise kaldenurga all.

HOIATUS! Najaredel tuleb enne kasutamist nõjatada vastu siledat ja kindlat pinda ja selle asend kindlustada nt kinnisidumise või muu sobiva võtte abil.

B Redeli avamine poolpikkuses

Teleskoopredeli avamine poolpikkuses:

6. Asetage teleskoopredel püsti kõvale horisontaalsele alusele. Toetage jalg alumisele redelipulgale ja hoidke redel paigal. Haarake kinni redelipulgast, mis jääb avatud redelil kõige ülemiseks, ja tõmmake ülespoole, kuni sektsioon lukustub.
7. Jätkake avamist, kuni kõik **alumised** sektsioonid on välja tõmmatud ning mittekasutatavad sektsioonid on kokkupandult üleval. Kontrollige, et lukustussakid langevad alla 60-kraadise nurga all.
8. **Kontrollige, et kõik väljatõmmatud redeliosad on lukustunud:** lukustussakid peavad alla langema 60-kraadise nurga all. Alt teise redelipulga küljes on lukustussakid tõmberõngastega. Redelipulga sees on need lukustatud asendis. Kui redel on lukustatud, tohivad redeliastme alt paista üksnes tõmberõngad. Vajadusel reguleerige redelit, kuni kõik redeliosad on paigale lukustunud.
9. Kui olete kontrollinud, et kõik avatud redeliosad on paigale lukustunud, võite redelit kasutama hakata. Asetage redel kindlalt 75-kraadise kaldenurga all.

NB! Juba avatud redelit lühemaks teha ei saa. Kui tahate redeli lühemaks teha, peate redel kõigepealt täiesti kokku panema ja siis uuesti valitud pikkuses avama.

C Redeli kokkupanek

Teleskoopredeli kokkupanemiseks toimige järgnevalt:

10. Vajadusel puhastage redel (vt allpool).
11. Asetage redel püstiasendisse nii, et te ei tee endale redelit kinni pannes vigu: hoidke teleskoopkorust kinni pisut kõrgemalt, siis on tasakaal parem.
12. Tõmmake teise käega tõmberõngaid ükshaaval allapoole, nii et lukustusmehhanism avaneb ja te saate redeli kokku panna. (Vahel tuleb esimest tõmberõngast teist korda veel tõmmata.)
13. Võtke redeli teleskoopkorust pisut kõrgemalt kinni ja lükake see aeglaselt ja **hoolikalt** kahe käega kinni.

MULJUMISRISK! Redelit lahti võttes ja kokku pannes ärge pistke käsi redelipulkade peale ega vahele. Lükake kõik redeliosad aeglaselt ja hoolikalt kinni.

D Puhastamine

Teleskoopredeli ohutuse ja töökorra tagamiseks tuleb seda hoida puhtana, eriti tähtis on teleskoopkorude ja redelipulkade puhtus. Pärast iga kasutuskorda puhastage redel enne kokkupanemist mustusest, laastudest, värvipritsmetest, liimist ja muust. Puhastage redelit lahustis niisutatud lapiga. Pärast puhastamist võib teleskoopkorusid töödelda silikoonpihustiga. Pihustage silikooni torule ja pühkige see paberi või lapiga kuivaks. Hoidke redel alati kuiva ja tolmust puhtana.

E Transport ja hoistamine

Teisaldage teleskoopredel kokkupandult ja püstiasendis, nii et see ei saaks lahti vajuda.

Transportige teleskoopredelit alati vaid täiesti kokkupandult. Selline asend kaitseb teleskoopkorusid löökide ja kahjustuste eest, mis võivad muuta redeli kasutuskõlbmatuks. Paigutage redel transportimisel korralikult kas katuserestile või veokisse, et see ei saaks viga.

Teleskoopredelit tuleb säilitada

- täiesti suletult kompaktses olekus
- tingimustel, mis seda ei kahjusta (nt niiskus, kuumus, küttekehade lähedus)
- nii, et seda ei kahjustataks söidukid, rasked esemed ega mustus
- kus ta pole ees ega põhjusta komistusohu
- nii, et seda ei oleks võimalik kasutada kriminaalsetel eesmärkidel (soovitavalt lukustatult)
- kaistult ebakohase kasutamise, nt laste eest, kui redel on paigaldatud püsivalt (nt tellingutes).

Enne kasutamist

- Redeli omanik peab tagama, et kasutajal on ligipääs redeli kasutusjuhendile.
- Enne esimest kasutuskorda pärast redeli ostmist tuleb kontrollida, et redel on heas korras ja kõik selle osad töötavad.
- Kasutage redelit vaid siis, kui teie tervislik seisund seda lubab. Teatud terviserikked,

KASUTUSJUHEND

ravimid, alkoholi ja narkootikumide kuritarvitamine võivad tekitada ohutusriske.

- Redeli ohutuks kasutamiseks tuleb see üle vaadata igal tööpäeval, mil seda kasutatakse, veendumaks kahjustuste puudumises. Vt „Hooldus ja korrashoid“ allpool.
- Kui redelit kasutatakse tööalaselt, tuleb seda üle vaadata regulaarselt.
- Kontrollige, et redel sobib konkreetseteks tööülesanneteks.
- Ärge kasutage kahjustatud redelit.
- Eemaldage mustus, nt kuivamata värv, pori, õli ja lumi.
- Enne redeli kasutamist tööil tuleb teha riskianalüüs ning arvestada kasutamisriigis kehtivate määrustega.
- Redelit tohib kasutada ja säilitada õhutemperatuuril -20 kuni 60 °C.

Paigaldamine

- Enne redeli kasutamist veenduge, et see on korralikult lukustatud.
- Redel tuleb paigaldada õigesti, kaldenurgaga 75° ja nii, et redelipulgad oleksid horisontaalselt.
- Redel peab kindlalt seisma tasasel, horisontaalsel ja tugeval pinnal. Redel ei tohi olla kaldus ja selle üks jalg ei tohi olla maha koormuseta või maha toetamata.
- Najaredel tuleb enne kasutamist nõjatada vastu siledat ja kindlat pinda ning kindlustada, näiteks kinnisidumise või muude sobivate võtete rakendamise teel. Redel peab toetuma jalgadele, mitte redelipulkadele.
- Redelit ei tohi uude kohta liigutada ülevaltpoolt tõstes.
- Arvestage võimalusega, et nt jalakäijad, autod või ukсед põrkavad vastu redelit.
- Tuvastage kõik töötamiskoha ohud, nt õhukaablid ja teised varjestamata elektriinstallatsioonid.
- Redel peab toetuma jalgadele, mitte redelipulkadele.
- Redelit ei tohi paigaldada libedale pinnale (nt jää, läikiv põrand või tugevalt märdunud põrand), juhul kui ei võeta kasutusele meetmeid redeli libisemise vastu või kui toetuspinna ei puhastata.

KASUTUSJUHEND

Kasutamine

- Redeli maksimaalne kandevõime on 150 kg.
- Redelit ei tohi kasutada ebaühtlaste pulgavahedega.
- Ärge seiske püstise redeli kolmel viimasel redeliastmel.
- Redelit ei tohi kasutada rippredelina.
- Redelit ei tohi tagurpidi lahti võtta, kokku panna ega kasutada.
- Redelit ei tohi kasutada rõhtsas asendis ega sillana. Hädaolukorras võib redelit kasutada kandraamina, juhul kui pikkus ei ole üle 2 m.
- Ärge kasutage redelit tolmu- või määri- või töö tegemiseks ega tolmu keskkonnas. Kui kasutate redelit näiteks müüritöödel, betooni- või maalritöödel, võib ajapikku olla aina raskem seda puhtana hoida ja see võib kahjustada teleskoopitorude töökorda.
- Ärge kasutage redelit näiteks veega täidetud kaevus, kuna siis võib mustus tungida teleskoopitorudesse ja muuta need kasutuskõlbmatuks.
- Hoidke teleskoopitorusid löökide ja muu hoolimatu käsitsemise eest. Torude kahjustuste korral ei saa teleskoopredelit kokku panna ja lahti võtta.
- Tõmberõngaid ei tohi omavahel ühendada.
- Ärge kallutage redelil seistes kaugele küljele. Kasutaja võõrpannal (naba) peab kogu töötamise ajal jääma redeli külglattide vahele ning mõlemad jalad peavad asuma ühel ja samal redelipulgal.
- Ärge ronige püstise redeli kõrgemasse tippu ilma turvameetmeteta, nt redeli kinnisidumise või sobiva stabiliseerimisvõtteta.
- Redelit tohib kasutada kergemateks töödeks ja lühikeseks aja vältel.
- Ärge kasutage elektritöödeks elektrit juhtivat redelit.
- Ärge kasutage redelit õues halva ilma, nt tugeva tuule korral.
- Vaadake, et lapsed redeliga ei mängiks.
- Vajadusel lukustage töökohas ukсед (v.a avariiväljapääsud) ja aknad.
- Ronige redelil üles ja alla, hoides pilku redelil.
- Redelil liikudes hoidke korralikult kinni.
- Redelit kasutades pange jalga sobivad jalanõud.
- Vältige suure külgkoormusega töid, nt telliskiviseina või betooni puurimine.

- Ärge seiske pikalt redelil ilma regulaarselt pause tegemata (väsimus on riskifaktor).
- Najaredel, mille abil ronitakse kõrgemale tasandile, peab ulatuma kõrgemast tasandist vähemalt 1 m võrra kõrgemale.
- Redelil töötades kasutage üksnes kerget ja kergesti kasutatavat varustust.
- Redelil töötades hoidke ühe käega kinni; kui see pole võimalik, rakendage muid ohutusmeetmeid.

Hooldus ja korrashoid

Teleskoopredel on täppistööriist. Hea hooldus aitab hoida selle ainulaadseid omadusi töökorras.

Hoidke redel alati puhas, eriti selle teleskoopitorud.

Teleskoopredelit ei tohi kunagi kasutada ilma jalgade kummiotsikuteta (libisemisvastane kaitse) ja otsakorkideta. Otsakorgid väldivad tolmu ja muu mustuse sattumist teleskoopitorudesse, mis võib muuta redeli kasutuskõlbmatuks. Redeli jalgade kummiotsikud ja otsakorgid võivad kuluda, varuosi saab edasimüüjatelt. Vahetage kulunud korgid välja.

Tõmberõngaid ei tohi vahetada teist tüüpi tõmberõngaste vastu. Ohutuse mõttes tohib kasutada üksnes originaalvaruosi. Tõmberõngaste vahetamise vajaduse korral võtke ühendust edasimüüjaga.

Teleskoopredelit tohib parandada vaid kvalifitseeritud remonditehnik. Kui teleskoopredel vajab parandust, siis ärge kasutage seda, vaid võtke ühendust edasimüüjaga.

NB! Kui redeli märgistused hakkavad ära kuluma ja muutuvad raskesti loetavaks, tellige uued juhiste- ja loetavaks, tellige uued juhiste- ja loetavaks. Tellimisaadressi leiate kasutusjuhendi tagaküljelt, võite võtta ühendust ka kohaliku edasimüüjaga.

Enne kasutamist kontrollige, et:

- teleskoopitorud ei ole paindunud, väärdunud, mõlakis, mõranenud ega korrodeerunud
- liitmikud ei ole teleskoopitorude küljest lahti tulnud
- kinnitused (needid, kruvid jne) on olemas, istuvad vabalt ning on korrosioonivabad
- redelipulki ei ole puudu, nad pole lahti, kulunud, korrodeerunud ega muul moel kahjustatud

- kummijalased ja otsakorgid ei ole puudu, et nad pole lahti, kulunud, korrodeerunud ega muul moel kahjustatud
- redel on puhas (pole mustust, pori, värvi, õli ega rasva)
- lukustused pole kahjustatud ega korrodeerunud ning töötavad nagu vaja.

HOIATUS! Ärge kasutage redelit, kui avastate puudusi ülalkirjeldatud tingimustes.

KASUTUSJUHEND

GARANTIINGIMUSED

Tootja garanteerib, et sellel tootel ei esine materjali- ega tootmisvigu. Kui ilmnevad materjali- või tootmisvead või materjali- või tootmisvigadest põhjustatud kahjustused, on ostjal õigus nõuda toote parandamist või vahetamist vastavalt osturiigis kehtivatele tarbekaupade müümist reguleerivatele seadustele.

Laiendatud garantii

Tootja vastutab toote vigade eest, mis ilmnevad ühe aasta jooksul alates esimesest ostukuupäevast.

Garantii ulatus

Tootja ei vastuta toote defektide eest, mis on ilmselt tingitud järgnevast:

- toodet ei kasutatud vastavalt käesoleva kasutusjuhendi juhisteile;
- redelit pole puhastatud, hooldatud, teenindatud, säilitatud või transporditud vastavalt kasutusjuhendile
- toodet on muudetud, ümber ehitatud või hoolimatult käsitsetud või on sellega juhtunud õnnetus
- tahtmatu kahjustus tundmatute objektide või ainetega
- liigne koormus
- remont volitamata teenindajate poolt või mitte-originaalvaruosade kasutamine
- ebaõige paigaldus.

Garantii ei hõlma:

- normaalset kulumist;
- normaalsest kulumisest tingitud osade vahetamist.

Pretensioonid

Garantii rakendumiseks tuleb esitada ostutšekki. Ostja peab edasimüüjat teavitama ilmnenu vigadest mõistliku aja jooksul pärast vea tekkimist või osturiigis määratletud aja jooksul.

Hooldus ja remont

Toote hooldust ja remonti tohib teha vaid volitatud hoolduskeskuses, kus otsustatakse, milline on antud juhul kõige sobiv lahendus. Parandamisel kasutatakse alati originaalvaruosi. Lähima volitatud hoolduskeskuse asukoha kohta saate teavet toote müüjalt või kasutusjuhendi tagaküljelt.

INSTRUCCIONES DE USO

La **escalera telescópica** tiene un diseño exclusivo que permite expandirla desde el formato compacto hasta su longitud total o una longitud intermedia.

Para conservar sus características y funciones, la escalera debe usarse, cuidarse y recibir mantenimiento de la manera descrita en las instrucciones de uso.

¡ADVERTENCIA! La escalera telescópica debe estar siempre bien bloqueada cuando se utilice. Compruebe siempre que todas las secciones desplegadas de la escalera están bloqueadas antes de subirse a la escalera. Compruebe especialmente los estribos de bloqueo con sus anillos de tracción.

A Desplegar la escalera a su longitud total

La escalera telescópica queda automáticamente bloqueada al abrirla. Cada sección tiene un bloqueo propio. Abra la escalera hasta su longitud total.

1. Coloque la escalera en posición vertical sobre una superficie horizontal dura. Mantenga la escalera contra en el suelo poniendo un pie en el peldaño inferior. **Empiece a desplegar la escalera por arriba:** Agarre el escalón superior y tire hacia arriba hasta que quede bloqueada la sección.
2. Abra luego la siguiente sección de la escalera. Compruebe que los estribos de bloqueo caen en un ángulo de 60°.
3. Siga abriendo las secciones hasta que la escalera esté totalmente extendida. Las secciones de la escalera se bloquean automáticamente paso a paso.
4. **Compruebe que todas las secciones de la escalera estén bloqueadas:** los estribos de bloqueo deben haber caído en un ángulo de 60°. El segundo peldaño tiene estribos de bloqueo con anillos de tracción. Están en posición bloqueada cuando están **encajados** en el peldaño. Cuando la escalera esté bloqueada, solo los anillos de tracción deberán quedar a la vista debajo del peldaño. Si es necesario, mueva la escalera para que todas las secciones de la misma queden en posición bloqueada.
5. Puede utilizar la escalera cuando haya comprobado que todas las secciones están

bloqueadas. Coloque la escalera de forma estable con un ángulo de inclinación de 75°.

¡ADVERTENCIA! La escalera de apoyo deberá apoyarse contra una superficie lisa y firme y asegurarse antes de utilizarla, p.ej. atándola o estabilizándola con ayuda de un equipamiento apropiado.

B Desplegar la escalera a la longitud intermedia

Despliegue la escalera telescópica a una longitud intermedia de su elección:

6. Coloque la escalera en posición vertical sobre una superficie horizontal dura. Mantenga la escalera contra en el suelo poniendo un pie en el peldaño inferior. Agarre el peldaño que ha elegido como el superior y tire hacia arriba hasta que la sección se bloquee.
7. Continúe luego con una sección por vez hasta que todas las secciones **inferiores** se hayan extraído y donde las secciones restantes, estén acumuladas en la parte superior de la escalera. Compruebe que los estribos de bloqueo caen en un ángulo de 60°.
8. **Compruebe que todas las secciones desplegadas de la escalera están bloqueadas:** los estribos de bloqueo deben haber caído en un ángulo de 60°. El segundo peldaño tiene estribos de bloqueo con anillos de tracción. Están en posición bloqueada cuando están **encajados** en el peldaño. Solo los anillos de tracción deberán quedar a la vista bajo el peldaño cuando la escalera esté bloqueada. Si es necesario, mueva la escalera para que todas las secciones de la misma queden en posición bloqueada.
9. Cuando haya comprobado que todas las secciones de escalera desplegadas están bloqueadas, puede usar la escalera. Coloque la escalera de forma estable con un ángulo de inclinación de 75°.

¡ATENCIÓN! No es posible acortar una escalera ya abierta. Si es necesario acortar la escalera, hay que plegar primero la escalera totalmente y luego desplegarla hasta una longitud intermedia de su elección.

C Plegar la escalera

Para cerrar la escalera telescópica, hágalo del siguiente modo:

10. Limpie la escalera si es necesario (vea abajo).
11. Mantenga la escalera en posición vertical de forma que **no haya riesgo de pillarse las manos** al desbloquearla y plegarla: sujete el tubo telescópico desde un poco más arriba para lograr un mejor equilibrio.
12. Tire de los anillos de tracción hacia abajo con la otra mano, de a uno, para que el mecanismo de cierre se suelte y usted pueda cerrar la escalera. (A veces necesitará volver a bajar el primer anillo de de tracción).
13. Sujete el tubo telescópico por la parte superior de la escalera y plieguelo **de forma controlada** usando ambas manos.

¡RIESGO DE PINZAMIENTO! No meta las manos sobre o entre los peldaños al desbloquear y cerrar la escalera. Pliegue cada sección de escalera de forma controlada.

D Limpieza

Por motivos de seguridad y funcionamiento, la escalera telescópica debe mantenerse siempre limpia, en especial los tubos telescópicos y los peldaños de las secciones. Lave o limpie la suciedad, virutas, manchas de pintura, cola, etcétera, después de cada uso antes de plegar la escalera. Limpie la escalera con un paño humedecido con un poco de disolvente. Después de la limpieza, los tubos telescópicos se pueden rociar con aerosol de silicona. Rocíe los tubos y séquelos con papel absorbente o un paño. La escalera debe estar siempre seca para que no se le adhiera polvo.

E Transporte y conservación

Transporte la escalera telescópica en formato compacto y en posición vertical para que no se despliegue y abra.

Siempre deberá transportarse completamente cerrada, en formato compacto. Así se protegen

INSTRUCCIONES DE USO

los tubos telescópicos contra golpes y daños que pueden perjudicar el funcionamiento de la escalera. Coloque la escalera bien fijada al transportarla en una baka de vehículo o en un camión, para que no se dañe.

La escalera telescópica deberá ser guardada

- totalmente cerrada, en forma compacta
- en condiciones que no la desgasten (p.ej. humedad, calor, junto a un radiador)
- de forma que no pueda ser dañada por vehículos, objetos pesados o suciedad
- donde no estorbe o constituya riesgo de tropiezo
- de forma que no resulte fácilmente accesible para motivos criminales, mejor si la inmoviliza con un candado
- asegurada contra usos inapropiados (p.ej. por niños) si está erguida de forma permanente (p.ej. junto a andamios).

Antes de su uso

- El propietario de la escalera deberá asegurarse de que el usuario tenga acceso al manual.
- Antes del primer uso, después de la entrega, deberá usted comprobar que la escalera está en buen estado y que todas sus partes funcionan.
- Su estado de salud deberá permitirle utilizar la escalera. Ciertos estados de salud, medicinas, consumo de alcohol o drogas, pueden conllevar un riesgo para la seguridad.
- Para un uso seguro de la escalera, ésta deberá ser inspeccionada visualmente al principio de cada jornada de trabajo en la que vaya a ser utilizada, para asegurarse de que no tiene daños y que resulta segura, véase "Cuidado y mantenimiento" más abajo.
- Si la escalera se utiliza de forma profesional, deberá ser inspeccionada con regularidad.
- Compruebe que la escalera resulta adecuada para el trabajo a realizar.
- No utilice una escalera dañada.
- Elimine la suciedad tal como pintura húmeda, barro, grasa y nieve.
- Antes de que la escalera se utilice en un trabajo, deberá realizarse un análisis de riesgos y tener en consideración las normativas del país en el que se está utilizando.
- La escalera se puede utilizar y conservar en temperaturas ambiente de -20°C a 60°C.

INSTRUCCIONES DE USO

Colocación

- Compruebe que la escalera está correctamente bloqueada antes de utilizarla.
- La escalera deberá colocarse de forma correcta, con un ángulo de inclinación de 75° con respecto al suelo y con los peldaños de forma horizontal.
- La escalera deberá colocarse de forma estable sobre una superficie lisa, horizontal y firme. La escalera no debe estar inclinada lateralmente, tener un pie sin carga ni colocarse sobre una superficie resbaladiza.
- La escalera de apoyo deberá apoyarse contra una superficie lisa y firme y asegurarse antes de utilizarla, p.ej. atándola o estabilizándola con ayuda de un equipamiento apropiado. No apoye la escalera contra los peldaños sino contra los tubos.
- La escalera no debe desplazarse a una nueva posición tirando desde arriba.
- Tenga en cuenta el riesgo de que p.ej. peatones, coches o puertas se puedan chocar con la escalera.
- Identifique todos los riesgos eléctricos del puesto de trabajo, como los conductos de aire y otro equipamiento eléctrico sin protección.
- La escalera debe colocarse sobre sus patas, no sobre los peldaños.
- La escalera no debe colocarse sobre superficies resbaladizas (p.ej. hielo, superficie pulida o superficie considerablemente sucia), si no se toman medidas para que la escalera no se deslice, o se limpia concienzudamente la superficie.

Empleo

- No está permitido cargarla con un peso superior a 150 kg.
- La escalera no se debe usar con altura irregular de peldaños.
- No permanezca de pie sobre los tres peldaños superiores en una escalera de apoyo.
- La escalera no se debe usar colgada.
- La escalera no se debe desplegar, plegar ni usar vuelta hacia abajo.
- La escalera no se debe usar en posición horizontal o como puente. En caso de emergencia la escalera se puede usar como camilla, aunque con una longitud máxima de 2 metros.

- No la utilice en trabajos ni entornos sucios. Por ejemplo, si se usa la escalera para trabajos de albañilería, hormigón o pintura, con el tiempo puede ser difícil limpiarla y empeora la función telescópica.
- No utilice la escalera en pozos con agua ya que podría penetrar suciedad en los tubos telescópicos y dificultar el funcionamiento.
- No exponga los tubos telescópicos a golpes ni a ningún otro tipo de tratamiento duro. Los daños en los tubos empeoran la función telescópica.
- No se deben acoplar los anillos de tracción de forma alguna.
- No se estire demasiado hacia un costado. El cinturón de seguridad (ombligo) del usuario deberá ir por el interior de los costados de la escalera y ambos pies en el mismo peldaño durante toda la duración del trabajo.
- No se baje de una escalera de apoyo a cierta altura sin utilizar mecanismos adicionales de seguridad, como atar la escalera o usar un equipo estabilizador apropiado.
- Las escaleras solo se deben usar para trabajos ligeros durante corto tiempo.
- No use una escalera conductora para realizar trabajos eléctricos.
- No use la escalera al exterior en caso de mal tiempo, p.ej. viento fuerte.
- Asegúrese de que los niños no juegan con la escalera.
- Cierre con llave las puertas (no las salidas de emergencia) y las ventanas del lugar de trabajo, de ser posible.
- Suba y baje por la escalera mirándola de frente.
- Sujétese bien a la escalera al subir y bajar por ella.
- Utilice un calzado adecuado al usar la escalera.
- Evite trabajos con excesiva carga lateral, p.ej. perforar un muro o cemento.
- No permanezca durante largo tiempo en una escalera, sin tomarse descansos con regularidad (el cansancio es un riesgo).
- La escalera de apoyo que se haya usado para subir a un nivel superior debe disponer de al menos 1 metro por encima del punto de acceso.
- Use solamente material ligero y fácil de manejar al trabajar en la escalera.
- Sujétese con una mano al trabajar en la escalera, o tome otras medidas de seguridad si no puede hacerlo.

Cuidado y mantenimiento

La escalera telescópica es una herramienta de precisión. Trátela con cuidado para que conserve sus propiedades exclusivas.

Mantenga siempre limpia la escalera, en especial los tubos telescópicos.

La escalera telescópica no se debe usar sin las patas de goma (protección antideslizante) y la protección superior. La protección superior impide que el polvo, virutas de taladrar o similar penetren en los tubos telescópicos y provoquen anomalías en el funcionamiento. Las patas de goma y la protección superior de la escalera son piezas de desgaste que suministra el distribuidor. Cambie las protecciones cuando empiecen a estar gastadas.

Los anillos de tracción no se deben reemplazar por otros tipos de anillos de tracción. Por motivos de seguridad, solo se deben usar piezas de recambio originales. Póngase en contacto con el distribuidor si necesita cambiar los anillos de tracción.

La escalera telescópica debe ser reparada por un reparador cualificado. No utilice la escalera telescópica si ésta precisa de reparación, póngase en contacto con el distribuidor.

¡ATENCIÓN! Si la pegatina de instrucciones de la escalera empieza a gastarse y resulta difícil de leer, solicite una pegatina nueva. Ver la dirección en la parte posterior de las instrucciones de uso o póngase en contacto con su distribuidor local.

Antes del uso, compruebe que

- los tubos telescópicos no están doblados, retorcidos, abollados, rajados o corroídos
- los tubos telescópicos tienen los extremos intactos
- no falta ningún herraje (remaches, tornillos, etc.), ni están flojos ni corroídos
- no faltan peldaños, ni están sueltos, desgastados, corroídos o dañados
- no faltan las patas de goma y protección superior, ni están sueltas, desgastadas, corroídas o dañadas
- toda la escalera está limpia (sin suciedad, barro, pintura, aceite o grasa)
- los mecanismos de bloqueo no están dañados ni corroídos y funcionan como deben.

¡ADVERTENCIA! No utilice la escalera si usted descubre alguno de los problemas antes mencionados.

INSTRUCCIONES DE USO

CONDICIONES DE GARANTÍA

El fabricante garantiza que el producto está libre de defectos de materiales y fabricación. Si se comprueban defectos de materiales o fabricación, o daños producidos por defectos en materiales o fabricación, el comprador tiene derecho a que se le repare el producto o se le cambie según las leyes de venta de artículos de consumo válidas en el país de compra.

Extensión de la garantía

El fabricante se hace responsable de fallos en el producto que se produzcan durante el primer año a partir del día de la compra.

Extensión

El fabricante no responde de defectos si es probable que el fallo se deba a que el producto

- no ha sido utilizado de la forma descrita en las instrucciones de uso
 - no ha sido limpiado, cuidado, mantenido, conservado o transportado según las condiciones de uso
 - ha sido reformado, modificado o sometido a daños exteriores de otro tipo o accidente
 - ha sido dañado intencionadamente con objetos o materiales ajenos
 - ha sido sobrecargado
 - ha sido reparado por un técnico no autorizado o se han utilizado piezas de recambio que no eran las originales
 - ha sido instalado de forma equivocada
- No se consideran como defectos
- el desgaste normal
 - el desgaste normal de las piezas sujetas a desgaste.

Reclamación

Para que la garantía sea válida, se deberá presentar el ticket de compra. El comprador deberá indicar al distribuidor los defectos que él/ella quiere reclamar, dentro de un período razonable después de detectar el defecto, o dentro del plazo prescrito por la ley en el país de compra.

Servicio y reparación

Los eventuales trabajos de servicio o reparación debe hacerlos siempre un taller de servicio autorizado, el cual en cada caso particular evaluará las medidas adecuadas. En el caso de reparación, siempre deberán utilizarse piezas de recambio originales. Póngase en contacto con el distribuidor para averiguar dónde se encuentra el taller de servicio autorizado más cercano, o consulte la dirección en el reverso de las instrucciones de uso.

KÄYTTÖOHJE

Teleskoopitikkaat voidaan ainutlaatuisen rakenteensa ansiosta laajentaa lyhyistä tikkaista täyteen pituuteen tai välipituuteen.

Tikkaiden ominaisuuksien ja toimivuuden säilyttämiseksi on tärkeää, että niitä käytetään, hoidetaan ja huolletaan käyttöohjeessa kuvatulla tavalla.

VAROITUS! Teleskoopitikkaiden tulee olla aina kunnolla lukittuneina, kun niitä käytetään. Tarkasta aina, että kaikki avatut tikkasosat ovat lukittuneina, ennen kuin kiipeät tikkaile. Tarkasta erityisesti lukkosankojen vetorenkaat.

A Tikkaiden avaaminen täyteen pituuteen

Teleskoopitikkaat lukittuvat avattaessa automaattisesti. Jokaisessa tikkasosassa on oma lukitus. Teleskoopitikkaiden avaaminen täyteen pituuteen:

1. Sijoita tikkaat pystyyn vaakasuoralle ja kovalle alustalle. Pidä tikkaita paikallaan asettamalla jalka alimmalle poikkipuulle. **Aloita avaaminen ylhäältä:** Ota kiinni ylimmästä poikkipuusta ja vedä sitä ylöspäin, kunnes tikasosa lukittuu.
2. Avaa sen jälkeen seuraava tikasosa. Tarkasta, että lukkosangat tulevat 60° kulmaan.
3. Avaa sen jälkeen yksi tikasosa kerrallaan, kunnes tikkaat on avattu täyteen pituuteen. Tikasosat lukittuvat automaattisesti.
4. **Tarkasta, että kaikki tikkasosat ovat lukittuneet:** Lukkosankojen tulee olla 60° kulmassa. Toiseksi alimpien poikkipuiden lukkosangoissa on vetorenkaat. Sangat ovat lukittuneina ollessaan poikkipuun **sisällä**. Tikkaiden ollessa lukittuna vain vetorenkaiden tulee näkyä poikkipuun alla. Liikuttele tikkaita tarvittaessa, niin että kaikki tikkasosat lukittuvat.
5. Kun olet tarkistanut, että kaikki tikkasosat ovat lukittuneina, voit käyttää tikkaita. Aseta tikkaat tukevasti alustalleen 75° kallistuskulmaan.

VAROITUS! Nojatikkaina käytettäessä tikkaiden tulee nojata sileää ja tukevaa pintaa vasten ja ne tulee varmistaa ennen käyttöä esimerkiksi sitomalla ne kiinni tai tukemalla ne sopivalla rakennelmalla.

B Tikkaiden avaaminen välipituuteen

Teleskoopitikkaiden avaaminen haluttuun välipituuteen:

6. Sijoita teleskoopitikkaat pystyyn vaakasuoralle ja kovalle alustalle. Pidä tikkaita paikallaan asettamalla jalka alimmalle poikkipuulle. Tartu kiinni siitä teleskoopitikkaiden poikkipuusta, jonka on tarkoitus tulla ylimmäksi ja vedä sitä ylöspäin, kunnes kyseinen tikasosa lukittuu.
7. Jatka tikkasien avaamista, kunnes kaikki tämän tikkasosan **alapuolella** olevat osat on aukaisu ja käyttämättömät tikkasosat ovat kasattuina tikkaiden yläpäässä. Tarkasta, että lukkosangat tulevat 60° kulmaan.
8. **Tarkasta, että kaikki avatut tikkasosat ovat lukittuneet:** Lukkosankojen tulee olla 60° kulmassa. Toiseksi alimpien poikkipuiden lukkosangoissa on vetorenkaat. Sangat ovat lukittuneina ollessaan poikkipuun **sisällä**. Tikkaiden ollessa lukittuna vain vetorenkaiden tulee näkyä poikkipuun alla. Liikuttele tikkaita tarvittaessa, niin että kaikki tikkasosat lukittuvat.
9. Kun olet tarkistanut, että kaikki avatut tikkasosat ovat lukittuneina, voit käyttää tikkaita. Aseta tikkaat tukevasti alustalleen 75° kallistuskulmaan.

HUOM! Jo avattuja tikkaita ei voi lyhentää. Jos tikkaita on lyhennettävä, ne on ensin kasattava kokonaan ja avattava sen jälkeen haluttuun välipituuteen.

C Tikkaiden kasaaminen

Teleskoopitikkaiden kasaaminen:

10. Puhdista tikkaat tarvittaessa (katso alla).
11. Pidä tikkaita pystyssä niin, ettet jää puristuksiin, kun avaat tikkaiden lukituksen ja kasaat ne: pysyt paremmin tasapainossa, jos pidät kiinni teleskoopiputkesta sopivalta korkeudelta.
12. Vedä vetorenkaat alas toisella kädellä yksi kerrallaan, jolloin lukitusmekanismi laukeaa ja voit kasata tikkaat. (Voit joutua joskus vetämään ensimmäisen renkaan uudelleen ulos toisen renkaan jälkeen.)
13. Pidä kiinni tikkaiden teleskoopiputkesta sopivalta korkeudelta ja työnnä se **hallitusti** kasaan molemmilla käsillä.

PURISTUMISVAARA! Älä pidä käsiä poikkipuiden päällä tai välissä avatessasi lukituksia ja kasatessasi tikkaita. Sulje jokainen tikasosa hallitusti.

D Puhdistus

Turvallisuus- ja toiminnallisuussyistä teleskoopitikkaat on pidettävä aina puhtaina, tämä koskee erityisesti tikkaiden teleskoopiputkia ja poikkipuita. Kaikki lika, puru, roiskunut maali, liima ja vastaavat epäpuhtaudet on pestävä tai pyyhittävä pois joka kerta ennen tikkaiden kasaamista. Puhdista tikkaat liinalla, jossa on vähän liuotainetta. Puhdistuksen jälkeen tikkaat voidaan käsitellä silikonispraylla seuraavasti: suihkuta putket ja kuivaa ne kuivaksi paperilla tai liinalla. Tikkaiden on oltava aina kuivat, etteivät ne vedä puoleensa pölyä.

E Kuljetus ja säilytys

Kanna teleskoopitikkaita kasattuina ja pystysuorassa niin, etteivät tikasosat liu'u ulos ja avaudu.

Kuljeta teleskoopitikkaita aina kokoonaitettuina. Näin suojaat teleskoopiputkia iskulta ja vaurioilta, jotka voivat heikentää tikkaiden toimintaa. Kiinnitä tikkaat kuljetettaessa tukevasti kattotelineeseen tai kuorma-auton lavelle, jotta ne eivät vahingoitu.

Teleskoopitikkaita tulee säilyttää

- kokoonaitettuina
- olosuhteissa, jotka eivät kuluta tikkaita (ei esim. kosteassa tai kuumassa tilassa tai lämpöpattereiden lähellä)
- siten, etteivät ajoneuvot, raskaat esineet tai saasteet pääse vaurioittamaan niitä
- paikassa, jossa ne eivät ole tiellä tai jossa niihin ei voi kompastua
- siten, ettei niitä voi käyttää rikollisiin tarkoituksiin, mieluiten lukittuina paikalleen
- siten, etteivät asiaankuulumattomat henkilöt (esim. lapset) pääse käyttämään niitä, jos ne ovat pystyssä jatkuvasti (esim. rakennustelineen vieressä)

KÄYTTÖOHJE

Ennen käyttöä

- Tikkaiden omistajan on huolehdittava siitä, että käyttöohje on tikkaiden käyttäjän saatavilla.
- Tarkasta ennen tikkaiden ensimmäistä käyttöä, että ne ovat hyväkuntoiset ja että kaikki osat toimivat moitteettomasti.
- Terveystilasi on oltava sellainen, että pystyt käyttämään tikkaita. Jotkut terveystilat, lääkkeet tai alkoholiin tai huumeiden väärinkäyttö voivat aiheuttaa turvallisuusriskin.
- Turvallisen käytön varmistamiseksi tikkaiden kunto on tarkastettava joka työpäivä, katso kohta "Hoito ja huolto" alla.
- Jos tikkaat ovat ammattikäytössä, ne on tarkastettava säännöllisesti.
- Tarkasta, että tikkaat sopivat käyttötarkoitukseensa.
- Älä käytä vahingoittuneita tikkaita.
- Puhdista tikkaista lika, kuten kostea maali, savi, öljy ja lumi.
- Ennen tikkaiden käyttöä on tehtävä riskianalyysi ja otettava huomioon paikalliset säännökset.
- Tikkaita saa käyttää ja säilyttää -20 – +60 °C:een lämpötiloissa.

Sijoitus

- Tarkasta ennen tikkaiden käyttöä, että osat ovat kunnolla lukittuneet.
- Tikkaat on sijoitettava 75° kallistuskulmaan maahan nähden siten, että poikkipuut tulevat vaakasuoraan.
- Tikkaiden on seisottava tukevasti tasaisella, vaakasuoralla ja kiinteällä alustalla. Tikkaat eivät saa olla kallellaan sivusuunnassa, paino ei saa olla vain toisen jalan varassa eikä alusta saa olla liukas.
- Nojatikkaina käytettäessä tikkaiden tulee nojata sileää ja tukevaa pintaa vasten ja ne tulee varmistaa ennen käyttöä esimerkiksi sitomalla ne kiinni tai tukemalla ne sopivalla rakennelmalla. Älä aseta tikkaita nojaamaan poikkipuiden vaan teleskoopiputkien varaan.
- Tikkaita ei saa siirtää toiseen paikkaan ylhäältä käsin.
- Varmista, etteivät jalankulkijat, autot tai avattavat ovet törmää tikkaisiin.
- Tarkasta aina työpaikan mahdolliset sähköriskit, kuten ilmajohdot ja muut suojaamattomat sähkölaitteet.

KÄYTTÖOHJE

- Tikkaat on asetettava jalkojensa, ei poikkipuiden, varaan.
- Tikkaita ei saa asettaa liukkaalle alustalle (esim. jäälle tai kiiltävälle tai erittäin likaiselle pinnalle), jos tikkaiden liukumattomuutta ei varmisteta tai alustaa puhdisteta ensin huolellisesti.

Käyttö

- Tikkaiden enimmäiskuormitus on 150 kg.
- Tikkaiden askelmavälit on pidettävä aina yhtä suurina.
- Nojatikkaiden kolmella ylimmällä poikkipuulla ei saa seisoa.
- Tikkaita ei saa käyttää ripustettuina.
- Tikkaita ei saa avata, kasata tai käyttää ylösalaisin käännettyinä.
- Tikkaita ei saa käyttää vaakasuorassa asennossa tai siltana. Häätätilanteessa tikkaita voidaan käyttää enintään 2 metrin pituisina paareina.
- Älä käytä tikkaita likaisissa töissä tai likaisissa ympäristöissä. Jos tikkaita käytetään esimerkiksi muurauksessa, betonitöissä tai maalauksessa, niiden puhdistaminen voi ajan myötä olla vaikeaa ja tikkaiden toimivuus voi heikentyä.
- Älä käytä tikkaita veden täyttämässä kaivoissa, koska teleskooppiputkien sisään voi silloin tunkeutua likaa, mikä heikentää tikkaiden toimivuutta.
- Teleskooppiputkia tulee suojata iskuilta ja muilta kovilta otteilta. Vioittuneet putket heikentävät teleskooppitoimintoa.
- Vetorenkaita ei saa yhdistää toisiinsa millään tavalla.
- Älä kurottaudu liian pitkälle sivulle seisoesasi tikkailla. Käyttäjän vyönsoljen (navan) tulee olla työn aikana koko ajan tikkaiden laitojen sisäpuolella ja molempien jalkojen samalla poikkipuulla.
- Älä astu pois nojatikkaiden ylimmiltä poikkipuulta, jos tikkaita ei ole varmistettu esimerkiksi sitomalla ne kiinni tai käyttämällä muuta sopivaa tukirakennelmaa.
- Tikkaita tulee käyttää vain kevyempiin töihin lyhyen aikaa kerrallaan.
- Älä käytä sähköä johtavia tikkaita sähkötöissä.
- Älä käytä tikkaita ulkona huonolla säällä, esim. kovalla tuulella.
- Älä anna lasten leikkiä tikkailla.
- Lukitse työpaikan ovet (ei hätäuloskäyntejä) ja ikkunat, jos mahdollista.

- Kiipeä tikkailla ja niiltä alas kasvot tikkaisiin päin.
- Pidä kiivetessäsi tukevasti kiinni tikkaista.
- Käytä tikkaiden kanssa sopivia kenkiä.
- Vältä töitä, joissa kuormitus sivulle on suuri, esim. muurin tai betonin poraamista.
- Älä seiso tikkailla pitkiä aikoja vaan pidä välillä taukoja (väsymys on riskitekijä).
- Jos nojatikkaita käytetään kiipeämiseen korkeammalle tasolle, tikkaiden yläpään on ulotuttava vähintään 1 metrin sen tason yläpuolelle, jossa tikkailla nouseaan pois.
- Käytä vain kevyitä ja helppokäyttöisiä varusteita työskennellessäsi tikkailla.
- Pidä tikkaista kiinni toisella kädellä työskennellessäsi niillä, tai jos se ei ole mahdollista, käytä muita turvatoimia.

Hoito ja huolto

Teleskooppitikkaat ovat tarkkuustuote. Käsittelee tikkaita huolellisesti niin, että niiden ainutlaatuiset ominaisuudet säilyvät.

Pidä tikkaat aina puhtaina, erityisesti niiden teleskooppiputket.

Teleskooppitikkaita ei saa käyttää ilman kumitassuja (liukusuojia) ja päätysuojia. Päätysuojat estävät pölyn, porauslastujen ja vastaavien joutumisen teleskooppiputkiin heikentämään tikkaiden toimivuutta. Tikkaiden kumitassut ja päätysuojat ovat kuluvia osia, joita on saatavana jälleenmyyjiltä. Vaihda suojat, kun ne alkavat olla kuluneita.

Vetorenkaita ei saa vaihtaa toisentyypisiin vetorenkaisiin. Turvallisuussyistä tikkaissa saa käyttää vain alkuperäisiä varaosia. Ota yhteys jälleenmyyjään, jos vetorenkaat on aika vaihtaa.

Teleskooppitikkaat saa korjata vain valtuutettu korjaaja. Älä käytä teleskooppitikkaita, jos ne ovat korjauksen tarpeessa. Ota tällöin yhteys jälleenmyyjään.

HUOM! Jos tikkaiden ohjetarra alkaa olla kulunut ja vaikealukuinen, tilaa sen tilalle uusi tarra. Katso osoite käyttöohjeen takasivulta tai ota yhteys paikalliseen jälleenmyyjääsi.

Tarkasta ennen käyttöä, että

- teleskooppiputket eivät ole taipuneita, vääntyneitä, lommioisia tai kuluneita
- teleskooppiputkien liitokset ovat ehjät
- kiinnikkeitä (niittejä, ruuveja jne.) ei puutu eivätkä ne ole irrallaan tai kuluneita
- poikkipuuta ei puutu eivätkä ne ole irrallaan, kuluneita tai vahingoittuneita
- kumitassuja ja päätysuojia ei puutu eivätkä ne ole irrallaan, kuluneita tai vahingoittuneita
- tikkaat ovat puhtaat (ei likaa, savea, maalia, öljyä tai rasvaa)
- lukituslaitteet eivät ole vahingoittuneita tai kuluneita ja toimivat kunnolla.

VAROITUS! Älä käytä tikkaita, jos havaitset niissä yllä mainittuja puutteita.

KÄYTTÖOHJE

TAKUUEHDOT

Valmistaja myöntää tälle tuotteelle materiaali- ja valmistusvialta kattavan takuun. Jos tuotteesta voidaan osoittaa olevan materiaali- tai valmistusvika tai tällaisesta viasta johtuva muu vaurio, ostajalla on oikeus saada tuote korjattua tai vaihdettua uuteen ostomaassa voimassa olevan kuluttajansuojalain mukaan.

Laajennettu takuu

Valmistaja vastaa virheistä, joita tuotteesta ilmenee vuoden kuluessa alkuperäisestä ostopäivästä.

Kattavuus

Valmistaja ei kuitenkaan vastaa sellaisista vioista, joiden voidaan katsoa johtuneen siitä että:

- tuotetta ei ole käytetty käyttöohjeessa kuvatulla tavalla
 - tuotetta ei ole hoidettu, huollettu, säilytetty tai kuljetettu käyttöohjeessa kuvatulla tavalla
 - tuotteeseen on tehty muutoksia tai sitä on vaurioitettu ulkoisesti joko tahallaan tai vahingossa
 - tuotetta on vaurioitettu tahattomasti vierailta esineillä tai aineilla
 - tuotetta on ylikuormitettu
 - tuote on jätetty epäpätevän huoltoliikkeen korjattavaksi tai siinä on käytetty muita kuin alkuperäisiä varaosia
 - tuote on asennettu virheellisesti.
- Virheeksi ei katsota:
- normaalia kulumista
 - normaalia kuluvien osien menekkiä.

Reklamaatio

Takuun voimassaolo edellyttää ostokuitin esittämistä. Ostajan on ilmoitettava jälleenmyyjälle virheestä, jonka hän haluaa reklamoida, kohtuullisen ajan kuluessa virheen havaitsemisesta tai ostomaan lainsäädännössä ilmoitetun ajan sisällä.

Huolto ja korjaus

Mahdolliset huolto- ja korjaustoimenpiteet tulee aina antaa valtuutetun huoltoliikkeen tehtäväksi, joka päättää tarvittavista toimenpiteistä kussakin tapauksessa erikseen. Korjauksissa saa käyttää vain alkuperäisiä varaosia. Lähimmän valtuutetun huoltoliikkeen saat tietää jälleenmyyjältäsi tai käyttöohjeen takasivulta.

L'échelle télescopique est une échelle télescopique qui, de part sa conception unique, peut être déployée de son format compact à une longueur totale ou à sa longueur moyenne.

Afin de préserver les caractéristiques et la fonction de l'échelle, vous devez l'utiliser, la soigner et l'entretenir comme décrit dans le mode d'emploi.

AVERTISSEMENT ! L'échelle télescopique doit toujours être correctement verrouillée lorsque celle-ci est utilisée. Vérifier toujours que les sections ouvertes de l'échelle sont verrouillées avant de grimper sur les barreaux. Contrôler spécialement les étriers de verrouillage et les bagues de traction.

A Déployer l'échelle sur toute sa longueur

L'échelle télescopique est automatiquement verrouillée aussitôt qu'elle est ouverte. Chaque section dispose de son propre verrou. Déployer l'échelle télescopique sur toute sa longueur :

1. Placer l'échelle droite debout sur une surface plane et dure. Maintenir l'échelle en posant un pied sur le barreau le plus bas. **Commencer à déployer l'échelle par le haut** : Saisir le barreau le plus élevé et tirer vers le haut jusqu'à ce que la section de l'échelle soit verrouillée.
2. Déployer ensuite la section suivante de l'échelle. Vérifier que les étriers de verrouillage tombent en place à un angle de 60°.
3. Continuer à déployer les sections de l'échelle jusqu'à ce que l'échelle soit déployée sur toute sa longueur. Les sections de l'échelle sont automatiquement verrouillées en place au fur et à mesure.
4. **Vérifier que toutes les sections sont verrouillées** : les étriers de verrouillage doivent être tombés en place à un angle de 60°. Le deuxième barreau depuis le bas a des étriers de verrouillage munis de bagues de traction. Ils sont en position verrouillée lorsqu'ils sont **enclavés** dans le barreau de l'échelle. Seules les bagues de traction seront visibles sous le barreau lorsque l'échelle est verrouillée. Au besoin, déplacer les barreaux de sorte que toutes les sections de l'échelle soient amenées en position verrouillée.
5. Vous pouvez commencer à utiliser l'échelle après avoir contrôlé que toutes les sections

de celle-ci sont verrouillées. Placer l'échelle fermement à un angle de 75°.

AVERTISSEMENT ! Le haut de l'échelle devra reposer contre une surface unie et ferme et devra être assurée en place avant son utilisation, par exemple en le liant ou en le stabilisant à l'aide d'un dispositif idoine.

B Déployer l'échelle à une longueur intermédiaire

Pour déployer l'échelle à une longueur intermédiaire au choix :

6. Placer l'échelle debout sur une surface plane et dure. Maintenir l'échelle en posant un pied sur le barreau le plus bas. Saisir le barreau qui sera l'échelon le plus élevé et tirer vers le haut jusqu'à ce que la section de l'échelle soit verrouillée.
7. Continuer à déplier l'échelle jusqu'à ce que toutes les sections **du bas** soient ouvertes et que les sections qui ne sont pas utilisées soient toutes rassemblées en haut de l'échelle. Vérifier que les étriers de verrouillage tombent en place à un angle de 60°.
8. **Vérifier que toutes les sections ouvertes sont verrouillées** : les étriers de verrouillage doivent être tombés en place à un angle de 60°. Le deuxième barreau depuis le bas a des étriers de verrouillage munis de bagues de traction. Ils sont en position verrouillée lorsqu'ils sont **enclavés** dans le barreau de l'échelle. Seules les bagues de traction seront visibles sous le barreau lorsque l'échelle est verrouillée. Au besoin, déplacer les barreaux de sorte que toutes les sections de l'échelle soient amenées en position verrouillée.
9. Vous pouvez commencer à utiliser l'échelle après avoir contrôlé que toutes les sections ouvertes de celle-ci sont verrouillées. Placer l'échelle fermement à un angle de 75°.

NOTA ! Vous ne pouvez pas raccourcir une échelle déjà déployée. Si vous avez besoin de raccourcir une échelle déjà déployée, vous devez d'abord la fermer entièrement et ensuite la déployer à la longueur désirée.

C Fermer l'échelle

Fermer l'échelle télescopique comme suit :

10. Nettoyer l'échelle s'il y a lieu (voir ci-dessous)
11. Maintenir l'échelle droit debout et de telle manière que vous **ne serez pas pincé** par celle-ci lorsque les verrous sont ouverts et que l'échelle est fermée. Saisir le tube télescopique un peu au-dessus du barreau pour un meilleur équilibre.
12. Tirer les bagues de traction vers le bas avec une main, une bague à la fois, pour libérer le mécanisme de verrouillage et pouvoir fermer l'échelle. (Il est nécessaire parfois de tirer une deuxième fois sur la bague de traction).
13. Saisir le tube télescopique un peu au-dessus du barreau et rentrer-le sous **contrôle** avec les deux mains.

RISQUE DE PINCEMENT ! Ne pas garder vos mains sur ou entre les barreaux lorsque vous déployez ou fermez l'échelle. Fermer chaque section de manière contrôlée.

D Nettoyage

Pour des raisons de sécurité et de bon fonctionnement, l'échelle télescopique doit toujours être maintenue propre, avec une attention spéciale pour le tube télescopique et les barreaux. Les saletés, copeaux, éclaboussures de peinture, colle, etc. doivent être lavées et supprimées après chaque utilisation de l'échelle et avant de fermer celle-ci. Nettoyer l'échelle avec un chiffon et un peu de dissolvant. Après nettoyage, vous pouvez traiter le tube télescopique avec un atomiseur de silicone. Vaporiser les tubes et les sécher avec du papier ou un chiffon. L'échelle doit toujours être sèche pour ne pas agglomérer la poussière.

E Transport et emmagasinage

Transporter l'échelle télescopique en son format compact et debout pour que l'échelle ne se déploie pas.

Transporter toujours l'échelle télescopique entièrement fermée et en format compact. De

cette manière, le tube télescopique sera protégé contre les coups et dommages qui pourraient détériorer la fonction de l'échelle. Arrimer bien l'échelle sur la galerie ou sur votre camion afin qu'elle ne soit pas endommagée.

L'échelle télescopique sera emmagasinée

- entièrement fermée et en format compact
- en des conditions qui ne causent pas une usure excessive (par exemple humidité, chaleur, près d'un radiateur)
- de sorte qu'elle ne puisse pas être endommagée par un véhicule, des objets lourds ou des impuretés
- où elle ne constitue pas un obstacle ou un risque de trébuchement
- de sorte qu'elle ne puisse pas être un auxiliaire d'acte criminel, volontiers sous clé
- assuré contre utilisation inappropriée (par ex. par des enfants) si elle est en place en permanence (par exemple à proximité d'un échafaudage)

Avant son utilisation

- Le propriétaire de l'échelle devra veiller à ce que l'utilisateur dispose du manuel d'emploi.
- Avant la première utilisation après livraison, vous devriez contrôler que l'échelle est en bon état et que toutes ses parties fonctionnent.
- Votre état de santé devra vous permettre d'utiliser l'échelle. Certains états de santé, par exemple médicaments, alcool ou abus de drogue, peuvent entraîner des risques de sécurité.
- Pour une utilisation sûre de l'échelle, elle devra être inspectée chaque jour ouvrable durant lequel elle sera utilisée et ce afin de contrôler qu'elle n'a subi aucun dommage, voir « Soins et Entretien » ci-dessous.
- Si l'échelle est utilisée dans un contexte commercial, elle devra être inspectée régulièrement.
- Vérifier que l'échelle convient pour les travaux envisagés.
- Ne pas utiliser une échelle qui serait endommagée
- Supprimer les saletés, peinture non sèche, boue, huile et neige.
- Avant d'utiliser l'échelle dans un but commercial, il faudra effectuer une analyse des risques et prendre en considération la réglementation applicable dans le pays d'utilisation.

MODE D'EMPLOI

- L'échelle peut être utilisée et emmagasinée à une température ambiante allant de -20° C à 60° C.

Orientation

- Vérifier que l'échelle est correctement verrouillée avant de commencer à l'utiliser.
- L'échelle doit être correctement positionnée, à un angle d'inclinaison de 75° par rapport au sol et avec les barreaux en position horizontale.
- L'échelle doit reposer fermement sur une surface uniforme, horizontale, et stable. L'échelle ne doit pas inclinée latéralement, avoir un des pieds sans charge ou être placée sur une surface glissante.
- Le haut de l'échelle devra reposer contre une surface unie et ferme et devra être assurée en place avant son utilisation, par exemple en liant l'échelle ou en la stabilisant à l'aide d'un dispositif idoïne. Ne pas incliner l'échelle en prenant appui sur les barreaux - utiliser plutôt les tubes télescopiques.
- L'échelle ne doit pas être déplacée par en haut vers une nouvelle position.
- Tenir compte du risque qu'un piéton, une voiture ou une porte pourrait déstabiliser l'échelle.
- Identifier tous les risques de nature électrique sur votre lieu de travail, par exemple les conduites d'air et autre équipement électrique non protégé.
- L'échelle doit être placée sur ses pieds, par sur les barreaux.
- L'échelle ne doit pas reposer sur une surface glissante (par exemple une surface lisse ou polluée), si des mesures ne sont pas prises pour que l'échelle ne puisse pas glisser.

Utilisation

- La charge maximum sur l'échelle ne doit pas être supérieure à 150 kg.
- L'échelle ne doit pas être utilisée avec un espacement irrégulier des barreaux.
- Ne pas demeurer sur les trois barreaux les plus élevés d'une échelle érigée.
- L'échelle ne doit pas être utilisée si suspendue.
- L'échelle ne doit pas être ouverte, fermée ou utilisée si inversée.
- L'échelle ne doit pas être utilisée en horizontale ou comme « pont ». En cas d'urgence, l'échelle

peut être utilisée comme civière si sa longueur ne dépasse pas deux mètres.

- Ne pas utiliser l'échelle pour des travaux salissants ou dans un environnement sale. Par exemple, si l'échelle est utilisée pour des travaux de maçonnerie, de béton ou de peinture, il deviendra difficile de la nettoyer et la fonction télescopique pourra se détériorer.
- Ne pas utiliser l'échelle dans un puits d'eau, ceci permettrait aux saletés de pénétrer dans le tube télescopique et de détériorer son bon fonctionnement.
- Ne pas exposer le tube télescopique à des coups ou autre rude traitement. Les dommages que le tube subirait détériorent la fonction télescopique.
- Les bagues de traction ne doivent pas être jointes l'une à l'autre de quelque façon que ce soit.
- Ne pas trop vous étendre sur les côtés. La boucle du ceinturon de l'utilisateur doit être hors des deux côtés de l'échelle et ses deux pieds doivent être sur les barreaux en cours de travail.
- Ne sautez pas d'une grande hauteur depuis une échelle érigée sans avoir une sécurité supplémentaire, par exemple l'arrimage de l'échelle ou l'utilisation d'un dispositif approprié de stabilisation.
- Les échelles ne seront utilisées que pour des travaux légers et de courte durée.
- Ne pas utiliser une échelle conductrice pour les travaux électriques.
- Ne pas utiliser l'échelle en extérieur par mauvais temps, par exemple par vent fort.
- Veiller à ce que les enfants ne jouent pas avec l'échelle.
- Dans la mesure du possible, verrouiller les portes (par les sorties de secours) et les fenêtres sur le poste de travail.
- Grimpez et descendez de l'échelle en lui faisant face.
- Tenez fermement l'échelle vous grimper ou que vous descendez.
- Utiliser des chaussures appropriées lorsque vous utilisez l'échelle.
- Éviter les surcharges latérales lorsque vous êtes sur l'échelle, par exemple lorsque vous percez un mur ou du béton.
- Ne restez pas trop longtemps sur l'échelle ; la fatigue est un risque, prenez une pause régulièrement.

- Une échelle érigée pour atteindre un niveau plus élevé devra dépasser la hauteur du lieu de descente d'un mètre au moins.
- N'utiliser que des accessoires et équipements légers lorsque vous travaillez sur l'échelle.
- Maintenez-vous fermement d'une main lorsque vous travaillez sur l'échelle ou adoptez d'autres mesures de sécurité si besoin est.

Soins et entretien

Votre échelle télescopique est un équipement de précision. Traiter l'échelle avec précautions de sorte à préserver ses propriétés uniques.

Maintenir l'échelle propre, le tube télescopique en particulier.

L'échelle télescopique ne doit pas être utilisée sans ses pieds en caoutchouc (protection antiglisse) et les capuchons au sommet. La protection au sommet empêche la poussière, les copeaux ou autre objet similaire d'entrer dans le tube télescopique et détériorer le fonctionnement de l'échelle. Les pieds et les capuchons sont des pièces d'usure disponibles auprès de votre revendeur. Remplacer ces protections dès qu'elles présentent des signes d'usure.

Les bagues de traction ne doivent pas être remplacées par d'autres types de bagues de traction. Pour des raisons de sécurité, n'utiliser que des pièces d'origine. Contacter votre revendeur si les bagues de traction doivent être remplacées.

Seul un technicien qualifié est autorisé à réparer l'échelle télescopique. Ne pas utiliser l'échelle s'il est nécessaire de la réparer, contacter votre revendeur.

NOTA ! Commander de nouvelles décalcomanies si celles sur l'échelle sont usées ou difficiles à lire. Voir au verso du manuel d'emploi pour les adresses ou contacter votre revendeur local.

Vérifier, avant usage, que

- les sections du tube télescopique ne présentent pas de dommages apparents (cintrées, fissurées, corrodées, etc.)
- les sections du tube télescopique sont intactes au point de raccord
- les ferrures (rivets, vis, etc.) sont en place, bien serrées et non corrodés.
- les barreaux sont présents, fermement en place et ne présentent pas de signes d'usure, de corrosion ou autres dommages.

MODE D'EMPLOI

- les pieds en caoutchouc et les capuchons sont en place et ne présentent pas de signes d'usure, de corrosion ou autres dommages.
- toute l'échelle est propre (pas de saletés, boue, peinture, huile ou graisse)
- les dispositifs de verrouillage sont en bon état et fonctionnent correctement.

AVERTISSEMENT ! Ne pas utiliser l'échelle si vous constatez l'une ou l'autre des déficiences ci-dessus.

CONDITIONS DE GARANTIE

Le fabricant garantit que le produit est exempt de vices de matériaux et de fabrication. Si un vice de matériaux ou de fabrication, ou si un dommage est subi en raison de vices de matériaux ou de fabrication, et que ceci peut être démontré, l'acheteur est en droit d'avoir le produit réparé ou remplacé conformément à la législation sur les ventes de biens de consommation dans le pays d'achat.

Portée étendue de la garantie

Le fabricant est responsable de la dysfonction du produit qui se manifesterait pendant un an à compter de la date originale d'achat.

Portée

Le fabricant n'est pas responsable de la défaillance du produit s'il y a lieu de croire que la dite défaillance peut avoir été causée du fait que le produit

- n'a pas été utilisé comme décrit dans le manuel d'emploi
- n'a pas été nettoyé, entretenu, emmagasiné ou transporté comme indiqué dans le manuel d'emploi
- a été transformé, modifié ou a été autrement exposé à des dommages ou accidents externes
- a été accidentellement endommagé par d'autres objets ou éléments
- a été soumis à une surcharge
- a été réparé par un technicien non habilité ou que des pièces de rechange non originales ont été utilisées
- a été mal installé

Ce qui suit n'est pas considéré comme une défaillance :

- usure normale
- consommation normale de pièces d'usure

Réclamation

Pour que la garantie soit d'application, le reçu de l'achat doit être présenté. L'acheteur doit notifier le revendeur de la défaillance constatée et réclamée dans un délai raisonnable de la constatation ou dans le délai prescrit par la législation locale.

Entretien et réparation

Un entretien ou une réparation éventuelle doit toujours être exécutée par un atelier homologué qui déterminera, de cas en cas, les mesures appropriées. En cas de réparation, seuls les pièces d'origine seront utilisées. Contacter votre revendeur pour localiser l'atelier de réparation le plus proche ou relever son adresse au verso du manuel d'emploi.

H τηλεσκοπική σκάλα είναι μια τηλεσκοπική σκάλα που χάρη στη μοναδική της κατασκευή μπορεί να επεκταθεί από μια συνοπτική μορφή σε πλήρες μήκος ή σε ενδιάμεσο μήκος.

Για να διατηρηθούν οι ιδιότητες και η λειτουργία της σκάλας πρέπει να τη χρησιμοποιείτε, να τη φροντίζετε και να τη συντηρείτε με τον τρόπο που περιγράφεται στις οδηγίες χρήσης.

ΠΡΟΣΟΧΗ! Η τηλεσκοπική σκάλα θα πρέπει πάντοτε να ασφαλίξει σωστά όταν χρησιμοποιείται. Να ελέγχετε πάντοτε ότι όλα τα ανοικτά τμήματα της σκάλας είναι ασφαλισμένα πριν να ανεβείτε τη σκάλα. Ελέγξτε ιδιαίτερα τα μάνδαλα ασφαλείας με κρίκους.

A Άνοιγμα της σκάλας σε πλήρες μήκος

Η τηλεσκοπική σκάλα κλειδώνει αυτόματα όταν την ανοίγεται. Κάθε τμήμα έχει τη δική του ασφάλιση. Ανοίξτε την τηλεσκοπική σκάλα σε πλήρες μήκος:

1. Τοποθετήστε τη σκάλα όρθια πάνω σε μια οριζόντια και σκληρή βάση. Σταθεροποιήστε τη σκάλα με το ένα πόδι πάνω στο κατώτατο σκαλοπάτι. **Άρχιστε να ανοίγετε τη σκάλα από πάνω:** Πιάστε το πάνω-πάνω σκαλοπάτι και τραβήξτε το προς τα επάνω μέχρι να ασφαλίσει το τμήμα της σκάλας.
2. Ανοίξτε στη συνέχεια το επόμενο τμήμα της σκάλας. Ελέγξτε ότι τα μάνδαλα ασφαλείας πέφτουν σχηματίζοντας γωνία 60°.
3. Συνεχίστε να ανοίγετε τα διαστήματα της σκάλας έως ότου η σκάλα επεκταθεί σε πλήρες μήκος. Τα τμήματα της σκάλας κλειδώνονται αυτόματα με τη σειρά τους.
4. **Ελέγξτε ότι όλα τα τμήματα της σκάλας είναι κλειδωμένα:** Τα μάνδαλα ασφαλείας θα πρέπει να πέφτουν σχηματίζοντας γωνία 60°. Το επόμενο από κάτω σκαλοπάτι έχει μάνδαλα ασφαλείας με κρίκους. Αυτά ασφαλίζουν όταν **εισχωρήσουν** στο σκαλοπάτι. Μόνο ο κρίκοι πρέπει να είναι εμφανείς κάτω από το σκαλοπάτι όταν η σκάλα είναι ασφαλισμένη. Σε περίπτωση ανάγκης, μετατοπίστε τα μάνδαλα ούτως ώστε όλα τα τμήματα της σκάλας να έρθουν σε ασφαλισμένη θέση.
5. Αφού ελέγξετε ότι όλα τα τμήματα της σκάλας είναι ασφαλισμένα, μπορείτε να

χρησιμοποιήσετε τη σκάλα. Τοποθετήστε τη σκάλα σε μια γωνία κλίσης 75°.

ΠΡΟΣΟΧΗ! Το πάνω μέρος της σκάλας θα πρέπει να ακουμπά κόντρα σε μια ομοιογενή και συμπαγή επιφάνεια και θα πρέπει να είναι ασφαλισμένο πριν από τη χρήση, π.χ. μέσω σταθερής σύνδεσης ή σταθεροποίησης με τη βοήθεια μιας κατάλληλης διάταξης.

B Άνοιγμα τη σκάλας σε ενδιάμεσο μήκος

Ανοίξτε την τηλεσκοπική σκάλα στο κατ' επιλογή ενδιάμεσο μήκος

6. Τοποθετήστε την τηλεσκοπική σκάλα όρθια πάνω σε μια οριζόντια και σκληρή βάση. Σταθεροποιήστε τη σκάλα με το ένα πόδι πάνω στο κατώτατο σκαλοπάτι. Πιάστε το σκαλοπάτι που βρίσκεται στην κορυφή της ανοικτής τηλεσκοπικής σκάλας και τραβήξτε το προς τα πάνω έως ότου το τμήμα ασφαλίσει.
7. Συνεχίστε να ανοίγετε τη σκάλα έως ότου όλα τα κάτω τμήματα έχουν τραβηχτεί, και τα τμήματα της σκάλας που δεν χρησιμοποιούνται μαζεύονται στην κορυφή. Ελέγξτε ότι τα μάνδαλα ασφαλείας πέφτουν σχηματίζοντας γωνία 60°.
8. **Ελέγξτε ότι όλα τα ανοικτά τμήματα της σκάλας είναι ασφαλισμένα:** Τα μάνδαλα ασφαλείας θα πρέπει να πέφτουν σχηματίζοντας γωνία 60°. Το επόμενο από κάτω σκαλοπάτι έχει μάνδαλα ασφαλείας με κρίκους. Αυτά ασφαλίζουν όταν **εισχωρήσουν** στο σκαλοπάτι. Μόνο ο κρίκοι πρέπει να είναι εμφανείς κάτω από το σκαλοπάτι όταν η σκάλα είναι ασφαλισμένη. Σε περίπτωση ανάγκης, μετατοπίστε τα μάνδαλα ούτως ώστε όλα τα τμήματα της σκάλας να έρθουν σε ασφαλισμένη θέση.
9. Αφού ελέγξετε ότι όλα τα ανοικτά τμήματα της σκάλας είναι ασφαλισμένα, μπορείτε να χρησιμοποιήσετε τη σκάλα. Τοποθετήστε τη σκάλα σε μια γωνία κλίσης 75°.

ΠΡΟΣΟΧΗ! Δεν μπορείτε να μειώσετε το μήκος μιας σκάλας ήδη ανοιγμένης. Αν χρειάζεται να κάνετε τη σκάλα μικρότερη, πρέπει πρώτα να κλείσετε τελείως τη σκάλα και να την ανοίξετε ύστερα στο επιλεγέν ενδιάμεσο μήκος.

C Κλείσιμο της σκάλας

Κλείστε την τηλεσκοπική σκάλα ως εξής:

- Καθαρίστε τη σκάλα εφόσον χρειάζεται (βλέπε κατωτέρω).
- Κρατήστε τη σκάλα όρθια κατά τέτοιο τρόπο ώστε να μην παγιδευτεί όταν απασφαλίσετε και η σκάλα κλείσει. Κρατήστε την από τον τηλεσκοπικό σωλήνα λίγο πιο πάνω στη σκάλα ώστε να έχετε καλύτερη ισορροπία.
- Τραβήξτε προς τα κάτω τα μάνδαλα ασφαλείας με το άλλο χέρι, ένα κάθε φορά, έτσι ώστε ο μηχανισμός ασφάλισης να απελευθερωθεί και να μπορέσετε να κλείσετε τη σκάλα. (Χρειάζεται μερικές φορές να τραβήξετε ακόμα μια φορά το πρώτο μάνδαλο ασφαλείας με κρίκους).
- Πιάστε τον τηλεσκοπικό σωλήνα λίγο πάνω στη σκάλα και σπρώξτε το μέσα **ελεγχόμενα** με τα δυο χέρια.

ΠΡΟΣΟΧΗ, ΚΙΝΔΥΝΟΣ ΠΑΓΙΔΕΥΣΗΣ! Μην έχετε τα χέρια σας πάνω ή ανάμεσα στα σκαλοπάτια όταν ξεδιπλώνετε και όταν κλείνετε τη σκάλα. Κλείνετε ελεγχόμενα το κάθε τμήμα της σκάλας.

D Καθαρισμός

Για λόγους ασφαλείας και καλής λειτουργίας, η τηλεσκοπική σκάλα πρέπει πάντοτε να παραμένει καθαρή, προσέχοντας ιδιαίτερα τον τηλεσκοπικό σωλήνα και τα σκαλοπάτια. Ρύποι, ροκανίδια, πιτσιλιές από μπογιά, κόλλα, κλπ. πρέπει να πλένονται και να αφαιρούνται μετά από κάθε χρήση πριν να κλείσετε τη σκάλα. Καθαρίστε τη σκάλα με ένα πανί με λίγο διαλυτικό. Μετά τον καθαρισμό, μπορείτε να ψεκάσετε τον τηλεσκοπικό σωλήνα με ένα σπρέι σιλικόνης. Ψεκάστε τους σωλήνες και στεγνώστε τους με χαρτί ή με ένα πανί. Η σκάλα πρέπει πάντοτε να είναι στεγνή για να μη μαζεύει σκόνη.

E Μεταφορά και αποθήκευση

Η μεταφορά της σκάλας πρέπει να γίνεται όρθια και στη συμπαγή της μορφή ώστε να μη πέσει κάτω και ανοίξει.

Μεταφέρετε πάντοτε την τηλεσκοπική σκάλα τελείως κλειστή και σε συμπαγή μορφή. Με αυτόν τον τρόπο, ο τηλεσκοπικός σωλήνας θα είναι προστατευμένος ενάντια σε κτυπήματα και ζημιές που μπορούν να επηρεάσουν δυσμενώς τη λειτουργία της σκάλας. Ασφαλίστε τη σκάλα σταθερά πάνω στη σχάρα της οροφής του αυτοκινήτου ή στο φορτηγό κατά τη μεταφορά, έτσι ώστε να μην υποστεί βλάβη.

Η τηλεσκοπική σκάλα θα αποθηκεύεται

- τελείως κλειστή σε συμπαγή μορφή
- σε συνθήκες που δεν της προκαλούν υπερβολική φθορά (για παράδειγμα υγρασία, θερμότητα, κοντά σε ένα καλοριφέρ)
- έτσι ώστε να μη μπορεί να υποστεί βλάβη από όχημα, βαριά αντικείμενα ή ρυπάνσεις
- εκεί που δεν αποτελεί εμπόδιο ή κίνδυνο παραπατήματος
- έτσι ώστε να μη μπορεί να αποτελεί εργαλείο εγκληματικής πράξης, ακόμα και κλειδωμένη
- εξασφαλισμένη από μη ενδεδειγμένη χρήση (π.χ. από παιδιά) αν βρίσκεται μόνιμα στη θέση της (για παράδειγμα κοντά σε σκαλωσιά)

Πριν από τη χρήση

- Ο ιδιοκτήτης της σκάλας θα μεριμνήσει ώστε ο χρήστης να διαθέτει εγχειρίδιο χρήσης.
- Πριν την πρώτη χρήση μετά την παράδοση, θα πρέπει να ελέγξετε ότι η σκάλα βρίσκεται σε καλή κατάσταση και ότι όλα τα τμήματά της λειτουργούν.
- Η κατάσταση της υγείας σας θα πρέπει να σας επιτρέπει να χρησιμοποιήσετε τη σκάλα. Ορισμένες καταστάσεις υγείας, φάρμακα, οινόπνευμα ή κατάχρηση ναρκωτικών ουσιών, μπορούν να επιφέρουν κινδύνους ασφαλείας.
- Για μια ασφαλή χρήση της σκάλας, αυτή θα πρέπει να επιθεωρείται κάθε εργάσιμη μέρα κατά την οποία θα χρησιμοποιείται ώστε να ελεγχθεί ότι δεν έχει υποστεί καμία ζημία, βλέπε «Φροντίδες και Συντήρηση» κατωτέρω.
- Αν η σκάλα χρησιμοποιείται επαγγελματικά, θα πρέπει να επιθεωρείται σε τακτική βάση.
- Ελέγξτε ότι η σκάλα είναι κατάλληλη για την τρέχουσα εργασία.
- Μη χρησιμοποιείτε χαλασμένες σκάλες.

Χρήση

- Καθαρίστε τους ρύπους όπως, μπογιά που δεν έχει στεγνώσει, λάσπη, λάδι και χιόνι.
- Πριν να χρησιμοποιηθεί η σκάλα στην εργασία, θα πρέπει να γίνει μια ανάλυση των κινδύνων και να ληφθούν υπόψη οι κανονισμοί στη χώρα όπου πρόκειται να λάβει χώρα η χρήση.
- Η σκάλα μπορεί να χρησιμοποιηθεί και να αποθηκευθεί σε θερμοκρασία περιβάλλοντος κυμαινόμενη από -20° C έως 60° C.

Τοποθέτηση

- Ελέγξτε ότι η σκάλα έχει ασφαλιστεί σωστά όταν να τη χρησιμοποιήσετε.
- Η σκάλα πρέπει να τοποθετείται σωστά, σε μια γωνία κλίσης 75° ως προς το έδαφος και με τα σκαλοπάτια οριζόντια.
- Η σκάλα πρέπει να ακουμπά σταθερά πάνω σε μια ομοιόμορφη, οριζόντια και σταθερή επιφάνεια. Η σκάλα δεν πρέπει να έχει κλίση προς τα πλάγια, να έχει ένα από τα πόδια της χωρίς φορτίο ή να είναι τοποθετημένη σε ολισθηρή επιφάνεια.
- Το πάνω μέρος της σκάλας θα πρέπει να ακουμπά κόντρα σε μια ομοιογενή και συμπαγή επιφάνεια και θα πρέπει να είναι ασφαλισμένο πριν από τη χρήση, π.χ. μέσω σταθερής σύνδεσης ή σταθεροποίησης με τη βοήθεια μιας κατάλληλης διάταξης. Μη γέρνετε τη σκάλα ακουμπώντας πάνω στα σκαλοπάτια, χρησιμοποιήστε καλύτερα τους τηλεσκοπικούς σωλήνες.
- Η σκάλα δεν πρέπει να μετατοπίζεται από πάνω προς μια καινούργια θέση.
- Λάβετε υπόψη σας τον κίνδυνο ότι ένας πεζός, ένα αυτοκίνητο ή μια πόρτα θα μπορούσε να αποσταθεροποιήσει τη σκάλα.
- Προσδιορίστε όλους τους κινδύνους ηλεκτρικής φύσης στο χώρο εργασίας σας, όπως για παράδειγμα ηλεκτρικές γραμμές ή άλλος μη προστατευμένος ηλεκτρικός εξοπλισμός.
- Η σκάλα πρέπει να στέκει πάνω στα πόδια της, όχι πάνω στα σκαλοπάτια.
- Η σκάλα δεν πρέπει να στηρίζεται πάνω σε μια ολισθηρή επιφάνεια (για παράδειγμα μια λεία ή μολυσμένη επιφάνεια), αν δεν έχουν ληφθεί μέτρα ώστε η σκάλα να μη μπορεί να γλιστρήσει.

- Το μέγιστο φορτίο πάνω στη σκάλα δεν πρέπει να υπερβαίνει τα 150 χλγρ.
- Το μέγιστο φορτίο πάνω στη σκάλα δεν πρέπει να υπερβαίνει τα 150 χλγρ.
- Δεν πρέπει να παραμένετε πάνω στα τρία πιο ανυψωμένα σκαλοπάτια μιας ανυψωμένης σκάλας
- Η σκάλα δεν πρέπει να χρησιμοποιείται αν είναι κρεμασμένη.
- Η σκάλα δεν πρέπει να είναι ανοικτή, κλειστή ή να χρησιμοποιείται όταν είναι ανεστραμμένη.
- Η σκάλα δεν πρέπει να χρησιμοποιείται σε οριζόντια θέση ή ως « γέφυρα ». Σε κατάσταση ανάγκης, η σκάλα μπορεί να χρησιμοποιηθεί σαν φορείο, αν το μήκος της δεν ξεπερνά τα 2 μέτρα.
- Μη χρησιμοποιείτε τη σκάλα σε εργασίες που δημιουργούν ρύπους ή σε ρυπαρό περιβάλλον. Για παράδειγμα, αν η σκάλα χρησιμοποιείται για εργασίες οικοδομής, μπετόν ή μπογιατίσματος, ο καθαρισμός της θα αποβαίνει δύσκολος και η τηλεσκοπική λειτουργία μπορεί να φθαρεί.
- Μη χρησιμοποιείτε τη σκάλα μέσα σε πηγάδια νερού, πράγμα που θα επέτρεπε στους ρύπους να διαπεράσουν τον τηλεσκοπικό σωλήνα και να φθείρουν την καλή του λειτουργία.
- Μην εκθέτετε τον τηλεσκοπικό σωλήνα σε χτυπήματα ή σε άλλη βίαιη μεταχείριση. Οι βλάβες που ο σωλήνας θα μπορούσε να υποστεί θα μπορούσαν να φθείρουν την τηλεσκοπική λειτουργία.
- Τα μάνδαλα ασφαλείας με κρίκους δεν πρέπει να συζεύγνυνται το ένα με το άλλο κατ' ουδένα τρόπο.
- Μη τεντώνετε πολύ πάνω στις πλευρές της σκάλας. Η πόρπη της ζώνης (ομφάλιο) του χρήστη πρέπει να βρίσκεται έξω από τις δυο πλευρές της σκάλας και τα δυο του πόδια πρέπει να βρίσκονται πάνω στα σκαλοπάτια κατά τη διάρκεια της εργασίας.
- Μη πηδάτε από μεγάλο ύψος ευρισκόμενη πάνω σε μια ανυψωμένη σκάλα δίχως να έχετε επιπλέον ασφάλεια, όπως το γερό δέσιμο της σκάλας ή χρήση κατάλληλης διάταξης σταθεροποίησης.
- Οι σκάλες θα χρησιμοποιούνται μόνο για ελαφρές εργασίες μικρού χρονικού διαστήματος.

- Μη χρησιμοποιείτε σκάλα που είναι καλός αγωγός του ηλεκτρικού ρεύματος για ηλεκτρολογικές εργασίες.
- Μη χρησιμοποιείτε τη σκάλα σε εξωτερικούς χώρους όταν έχει κακοκαιρία, για παράδειγμα, όταν φυσάει ισχυρός άνεμος.
- Φροντίστε να μην παίζουν τα παιδιά με τη σκάλα.
- Στα πλαίσια του δυνατού, ασφαλίστε τις πόρτες (από τις εξόδους κινδύνου) και τα παράθυρα στη θέση εργασίας.
- Σκαρφαλώστε και κατεβείτε από τη σκάλα με το πρόσωπο απέναντι από τη σκάλα.
- Κρατείστε σταθερά τη σκάλα όταν σκαρφαλώνετε και όταν κατεβαίνετε.
- Χρησιμοποιείτε τα κατάλληλα παπούτσια όταν χρησιμοποιείτε τη σκάλα.
- Αποφεύγετε να εργάζεστε με μεγάλο φορτίο στο πλάι, όταν, για παράδειγμα, κάνετε τρύπες πάνω σε ένα τοίχο ή του βάζετε μπετόν.
- Μην παραμένετε για πολλή ώρα πάνω στη σκάλα ; η κούραση είναι ένας κίνδυνος, κάντε τακτικά διαλείμματα.
- Μια ανυψωμένη σκάλα που χρησιμοποιείται για να επιτευχθεί ένα περισσότερο ανυψωμένο επίπεδο θα πρέπει να ξεπερνά το ύψος της θέσης καθόδου τουλάχιστον κατά ένα μέτρο.
- Χρησιμοποιείτε μόνο ελαφρά εξαρτήματα και ελαφρύ εξοπλισμό όταν εργάζεστε πάνω στη σκάλα.
- Κρατηθείτε καλά με το ένα χέρι όταν εργάζεστε πάνω στη σκάλα ή υιοθετήστε άλλα μέτρα ασφαλείας εφόσον υπάρχει ανάγκη

Φροντίδα και συντήρηση

Η τηλεσκοπική σας σκάλα αποτελεί εργαλείο ακριβείας. Ο χειρισμός της σκάλας πρέπει να γίνεται με προφυλάξεις ώστε να διατηρηθούν οι μοναδικές της ιδιότητες.

Διατηρείτε πάντοτε τη σκάλα καθαρή, τον τηλεσκοπικό σωλήνα ειδικότερα.

Η τηλεσκοπική σκάλα δεν πρέπει να χρησιμοποιείται χωρίς τα πόδια της από καουτσούκ (αντιολισθητική προστασία) και τα καπάκια της στην κορυφή. Η προστασία στην κορυφή εμποδίζει τη σκόνη, τα ροκανίδια ή άλλα παρόμοια αντικείμενα να εισέλθουν στον τηλεσκοπικό σωλήνα και να φθείρουν τη λειτουργία της σκάλας. Τα πόδια και τα καπάκια από καουτσούκ της σκάλας είναι αναλώσιμα τεμάχια που διατίθενται από τον μεταπωλητή σας.

Αντικαταστήστε αυτά τα προστατευτικά μόλις παρουσιάσουν σημάδια φθοράς.

Τα μάνδαλα ασφαλείας με κρίκους δεν πρέπει να αντικαθίστανται με άλλους τύπους μανδάλων ασφαλείας με κρίκους. Για λόγους ασφαλείας, χρησιμοποιείτε μόνο γνήσια ανταλλακτικά. Επικοινωνήστε με τον μεταπωλητή σας αν πρέπει να αντικαταστήσετε τα μάνδαλα ασφαλείας με κρίκους.

Μόνο ένας ειδικευμένος τεχνικός θα πρέπει να επισκευάσει την τηλεσκοπική σκάλα. Μη χρησιμοποιείτε την τηλεσκοπική σκάλα αν χρειάζεται επισκευή, επικοινωνήστε με τον μεταπωλητή σας.

ΠΡΟΣΟΧΗ! Παραγγείλατε νέα αυτοκόλλητα αν αυτά που βρίσκονται πάνω στη σκάλα είναι φθαρμένα ή δυσανάγνωστα. Βλέπε το πίσω μέρος του εγχειριδίου χρήσης ή επικοινωνήστε με τον τοπικό μεταπωλητή σας.

Ελέγξτε πριν από τη χρήση αν

- τα τμήματα του τηλεσκοπικού σωλήνα δεν παρουσιάζουν εμφανείς φθορές (καμπυλώσεις, ρωγμές, διαβρώσεις, κλπ.)
- τα τμήματα του τηλεσκοπικού σωλήνα είναι ανέπαφα στο σημείο σύνδεσης
- οι μεντεσέδες (πριτσίνια, βίδες, κλπ.) βρίσκονται στη θέση τους, σφιχτά τοποθετημένοι και μη διαβρωμένοι
- τα σκαλοπάτια βρίσκονται στη θέση τους, σταθερά τοποθετημένα και δεν παρουσιάζουν σημάδια φθοράς, διάβρωσης ή άλλων βλαβών
- τα πόδια από καουτσούκ και τα καπάκια βρίσκονται στη θέση τους και δεν παρουσιάζουν σημάδια φθοράς, διάβρωσης ή άλλων βλαβών
- ολόκληρη η σκάλα είναι καθαρή (δεν υπάρχουν ρύποι, λάσπη, μπογιά, λάδι ή λίπος)
- οι μηχανισμοί ασφάλισης βρίσκονται σε καλή κατάσταση και λειτουργούν σωστά.

ΠΡΟΣΟΧΗ! Μη χρησιμοποιείτε την τηλεσκοπική σκάλα αν διαπιστώσετε μια ή περισσότερες από τις ατέλειες που αναφέρονται ανωτέρω.

ΟΡΟΙ ΕΓΓΥΗΣΗΣ

Ο κατασκευαστής εγγυάται ότι το προϊόν είναι απαλλαγμένο από ελαττώματα υλικών και κατασκευής. Αν το ελάττωμα που οφείλεται στο υλικό ή στην κατασκευή, ή η ζημία που υφίσταται λόγω ελαττώματος υλικού ή κατασκευής, μπορεί να αποδειχθεί, ο αγοραστής δικαιούται την επισκευή ή την αντικατάσταση του προϊόντος σύμφωνα με τη νομοθεσία για τις πωλήσεις των καταναλωτικών αγαθών στη χώρα αγοράς.

Εκτεταμένη κάλυψη εγγύησης

Ο κατασκευαστής είναι υπεύθυνος για βλάβες του προϊόντος που σημειώνονται κατά τη διάρκεια ενός έτους από την αρχική ημερομηνία αγοράς.

Πεδίο εφαρμογής

Ο κατασκευαστής δεν είναι υπεύθυνος για βλάβες του προϊόντος αν είναι πιθανό ότι το σφάλμα οφείλεται σε

- μη χρήση σύμφωνα με τον τρόπο που περιγράφεται στο εγχειρίδιο χρήσης
 - μη καθαρισμό, φροντίδα, συντήρηση, αποθήκευση ή μεταφορά σύμφωνα με τις οδηγίες χρήσης
 - μετασχηματισμό, τροποποίηση ή σε άλλη έκθεση σε εξωτερικές ζημιές ή ατυχήματα
 - ζημία εκ παραδρομής από ξένα αντικείμενα ή ουσίες
 - υπερφόρτωση
 - επισκευή από μη εξουσιοδοτημένο τεχνικό ή στη χρήση μη γνήσιων ανταλλακτικών τεμαχίων
 - λανθασμένη κατασκευή.
- Δεν θεωρούνται βλάβες
- η φυσιολογική φθορά
 - η φυσιολογική κατανάλωση αναλώσιμων τεμαχίων.

Παράπονα

Η εγγύηση θα ισχύει με την επίδειξη της απόδειξης αγοράς. Ο αγοραστής θα πρέπει να κοινοποιήσει στο λιανοπωλητή τη βλάβη για την οποία ο ίδιος θα υποβάλλει παράπονα μέσα σε εύλογο χρονικό διάστημα μετά τον εντοπισμό της βλάβης, ή εντός της προθεσμίας που καθορίζεται στη χώρα της αγοράς.

Σέρβις και επισκευή

Ενδεχόμενο σέρβις ή ενδεχόμενη επισκευή θα πρέπει πάντοτε να γίνονται από εξουσιοδοτημένο κέντρο επισκευών που θα καθορίζει, ανά περίπτωση, τα κατάλληλα μέτρα. Θα χρησιμοποιούνται πάντοτε γνήσια ανταλλακτικά κατά την επισκευή. Επικοινωνήστε με τον αντιπρόσωπό σας για να μάθετε που βρίσκεται το πλησιέστερο εξουσιοδοτημένο κέντρο επισκευής ή σημειώστε τη διεύθυνση που βρίσκεται στο πίσω μέρος του εγχειριδίου χρήσης.

HASZNÁLATI UTASÍTÁS

A **teleszkópos létrát**, egyedi konstrukciója miatt összecukott állapotból teljes hosszúságúra vagy közepes hosszúságúra is ki lehet nyitni.

A létra tulajdonságainak és funkcióinak megőrzése érdekében kérjük, tartsa be a használati utasításban leírt használati, tisztítási és karbantartási tudnivalókat.

FIGYELEM! A teleszkópos létrát használatkor mindig megfelelően kell rögzíteni. Mielőtt fellépne a létrára, mindig győződjön meg arról, hogy az összes kihúzott létraszakasz rögzített állapotban van. Külön ellenőrizze a húzógyűrűs rögzítő karokat.

A A létra kinyitása teljes hosszban

A teleszkópos létra szétnyitáskor automatikusan rögzül. Minden szakasza önálló zárszerkezettel rendelkezik. Így nyissa ki a teleszkópos létrát teljes hosszúságban:

1. Vízzintes és kemény felületen állítsa fel a létrát. Támassza meg úgy, hogy egyik lábát a legalsó fokra helyezze. **Felülről kezdje nyitni a létrát:** Fogja meg a legfelső fokot, és húzza felfele mindaddig, míg a nyitott szakasz zárja rögzül.
2. Ezután nyissa meg a következő létraszakaszt. Győződjön meg arról, hogy a rögzítő karok lenyíltak-e 60°-os szögben.
3. Nyissa ki a létraszakaszokat, míg a létra teljes hosszúságát el nem érte. A létraszakaszok nyitás után automatikusan rögzülnek.
4. **Győződjön meg, hogy mindegyik létraszakasz rögzült-e:** a rögzítőkaroknak 60°-os szögben kell állniuk. Alulról a második létrafokhoz húzógyűrűs rögzítő karok tartoznak. Ezek akkor vannak rögzített állapotban, ha **rácsukódnak** a létrafokra. A létrafok rögzített állapotában csak a húzógyűrűket lehet látni. Szükség esetén igazítsuk meg úgy a létrát, hogy mindegyik szakasza rögzített helyzetbe kerüljön.
5. Miután meggyőződött arról, hogy mindegyik létraszakasz rögzült, használhatja a létrát. Helyezze el stabilan a létrát, 75°-os dőlésszögben.

FIGYELEM! A létrának sima és szilárd felülethez kell támaszkodnia, és használat előtt rögzíteni kell pl. odakötözéssel, vagy más, megfelelő megoldás segítségével.

B A létra kinyitása félhosszban

A teleszkópos létra tetszés szerinti hosszúságúra is nyitható:

6. Vízzintes és kemény felületen állítsa fel a teleszkópos létrát. Támassza meg úgy, hogy egyik lábát a legalsó fokra helyezze. Fogja meg azt a létrafokot, amelyik a kinyitott teleszkópos létra legelső fokának felel meg, és húzza felfelé, míg a szakasz nem rögzül.
7. Nyissa ki a fokokat, míg az alattuk található összes létraszakasz kihúzásra nem került, és a nem használt létraszakaszok össze nem gyűltek felül. Győződjön meg arról, hogy a rögzítő karok lenyíltak-e 60°-os szögben.
8. **Győződjön meg, hogy mindegyik nyitott létraszakasz rögzült-e:** a rögzítő karoknak 60°-os szögben kell állniuk. Alulról a második létrafokhoz húzógyűrűs rögzítő karok tartoznak. Ezek akkor vannak rögzített állapotban, ha **rácsukódnak** a létrafokra. A létrafok rögzített állapotában csak a húzógyűrűket lehet látni. Szükség esetén igazítsuk meg úgy a létrát, hogy mindegyik szakasza rögzített helyzetbe kerüljön.
9. Miután meggyőződött arról, hogy mindegyik kinyitott létraszakasz rögzült, használhatja a létrát. Helyezze el stabilan a létrát, 75°-os dőlésszögben.

Figyelem! A kinyitott létrát nem lehet lerövidíteni. Ha rövidíteni kívánja a létrát, ahhoz azt először teljesen be kell csuknia, majd ezután nyithatja a kívánt hosszra.

C A létra összecukása

A létrát az alábbiak szerint kell összecukni:

10. Szükség esetén tisztítsa meg a létrát (ld. lejjebb).
11. Tartsa a létrát egyenesen és úgy, hogy annak felhúzásakor és rögzítésekor ne csipje be a kezét: a jobb egyensúly érdekében feljebb fogja meg a teleszkópos csövet.
12. Másik kezével húzza le a húzógyűrűket egyesevel: a zármechanizmus így nyílik ki az összecukáshoz. (Előfordulhat, hogy az első húzógyűrűt még egyszer meg kell húzni).
13. Kicsit feljebb fogja meg a teleszkópos csövet, és mindkét kezével tartva csúsztassa azt össze.

FIGYELEM, SÉRÜLÉSVESZÉLY!
Összecukáskor ne tartsa kezét a létraszakaszokon vagy azok között, mert becsípődhet. Figyelmesen csukja össze mindegyik szakaszt.

D Tisztítás

A tökéletes biztonság és működés érdekében a létrát mindig tartsa tisztán, különösen a teleszkópcsővet és a létrafokokat. A szennyeződést, forgácsot, festékfoltot, ragasztót és egyebet minden használat után, még a létra összecukása előtt el kell távolítani. A létrát ronggyal és egy kis oldószernel tisztítsa le. Tisztítás után lefújhatja szilikonsprayel. Fújja be a csövet, majd papírral vagy ronggyal törölje szárazra. A létra legyen mindig száraz, hogy a por ne kössön hozzá.

E Szállítás és tárolás

A teleszkópos létrát mindig összecukva és függőlegesen szállítsa, hogy a létrafokok ne nyílhassanak ki.

A teleszkópos létrát teljesen összecukott, kompakt formátumban kell szállítani. Így védheti meg a teleszkópcsővet az ütődésektől és sérülésektől, melyek ártanak a működésnek. Szállításakor úgy rögzítse a létrát a tetőcsomagtartón vagy a teherautóban, hogy az ne sérülhessen meg.

Így tárolja a teleszkópos létrát:

- teljesen összecukott, kompakt formában
- távol a károsító körülményektől (pl. nedvesség, hő, fűtőtest közelsége)
- jármű, nehéz tárgy vagy szennyeződés ne okozhasson benne kárt
- mások mozgását ne akadályozza
- lehetőleg lezárva, hogy ne legyen könnyen felhasználható bűnelkövetési célhoz
- állandó használatkor (pl. állványoknál) illetéktelenek (pl. gyerekek) ne férhessenek hozzá.

Használat előtt

- A létra tulajdonosa győződjön meg arról, hogy a kézikönyv a használó rendelkezésére áll.
- Az átvétel utáni első használatkor meg kell győződni arról, hogy a létra jó állapotban van, és mindegyik része működik.
- A létrát csak megfelelő egészségi állapotban használja. Bizonyos egészségi állapotok,

HASZNÁLATI UTASÍTÁS

gyógyszer-, alkohol vagy kábítószer-fogyasztás veszélyt jelenthetnek.

- A biztonságos használat érdekében minden munkanapon ellenőrizze, hogy a létra nem sérült-e meg, ld. lejjebb a "Gondozás és karbantartás" című részt.
- Professzionális használatkor a létrát rendszeresen ellenőriztetni kell.
- Győződjön meg arról, hogy a létra megfelel-e az aktuális feladatára.
- Sérült létrát ne használjon.
- Távolítsa el a szennyeződést, mint pl. a nedves festék, sár, olaj és hó.
- A létra használata előtt kockázatelemzést kell végezni, figyelemmel az adott ország rendelkezéseire.
- A létrát -20°C és +60°C közötti hőmérsékleten lehet használni és tárolni.

Elhelyezés

- Használat előtt győződjön meg arról, hogy a létra tökéletesen rögzült-e.
- A létra a talajhoz képest 75°-os dőlésszögben támaszkodjon, fokai a talajjal párhuzamosak legyenek.
- A létrának stabilan kell állnia az egyenes, vízszintes és szilárd talajon. Ne dőljön el oldalra, mindegyik lába legyen leterhelve, és ne állítsák fel csúszós talajon.
- A létrának sima és szilárd felülethez kell támaszkodnia, és használat előtt rögzíteni kell pl. odakötözéssel vagy más, megfelelő megoldás segítségével. A létrát a csőnél támassza ki, ne a fokoknál.
- A létrát nem szabad felülről új állásba áthelyezni.
- Vigyázzon arra, hogy gyalogosok, járművek vagy ajtók ne ütközhessenek bele.
- Munkahelyén állapítsa meg az elektromos veszélyforrásokat, mint pl. a légvezetékeket és más, nem szigetelt berendezéseket.
- A létrát saját lábain kell felállítani, nem a fokokon.
- A létrát ne állítsa csúszós felületre (pl. jég, síkos vagy jelentősen szennyezett felület), ha a létra megcsúszását nem tudja megakadályozni, vagy a felületet nem tisztítják meg alaposan.

HASZNÁLATI UTASÍTÁS

Használat

- A létra maximális teherbírása 150 kg.
- A létra nem használható egyenetlen fokmagasságokkal.
- Ne álljon a kitémasztott létra három legfelső fokára.
- A létrát nem szabad fellógatva használni.
- A létrát nem szabad fejfel lefele fordítva kinyitni, összecsucni és használni sem.
- Nem használható vízszintes helyzetben vagy hídként. Veszélyhelyzetben a létrát használhatjuk hordágyként, ha hossza nem haladja meg a 2 métert.
- A létrát ne használja szennyező munkához vagy ilyen környezetben. Ha például falazásnál, betonozásnál vagy festésnél használják, idővel nehéz lesz megtisztítani, és a teleszkópfunkció megrongálódik.
- Ne használja a létrát vízzel telt kútban, mert a teleszkópcsőbe kerülő szennyeződés árt a működésnek.
- A teleszkópcsövet ne érje ütés vagy más, durva bánásmód. A cső sérülései kárt tesznek a teleszkópos működésben is.
- A húzógyűrűket semmilyen módon ne kapcsolja össze egymással.
- A létráról ne hajoljon ki messze oldalra. A használat övcsatja (köldöke) a létra oldalain belül legyen, és mindkét lábával a munka teljes ideje alatt ugyanazon a fokon álljon.
- Kiegészítő biztosítás, pl. a létra rögzítése vagy más stabilizáló megoldás nélkül ne mászson át a létráról egy magasabb pontra.
- A létrát csak könnyebb munkához és rövid ideig lehet használni.
- Elektromos munkákhoz ne használjon vezető anyagú létrát.
- Rossz időben, erős szélnél ne használja a létrát a szabadban.
- Vigyázzon, hogy a gyerekek ne használják játékként.
- A munkahelyen a lehetőség szerint zárja be az ablakokat és az ajtókat (a vészkijáratok kivételével).
- Arcal a fokok felé fordulva mászson a létrán.
- Mászaskor kapaszkodjon erősen.
- A létra használatához vegyen fel megfelelő cipőt.
- Kerülje a jelentős egyoldali terheléssel járó munkákat, mint pl. a fal- vagy betonfúrás.

- Ne tartózkodjon hosszabb ideig a létrán, tartson rendszeresen szünetet (a kifáradás veszélyes).
- Magasabban fekvő helyszínen való felmászás esetén a kitémasztott létra vége legalább egy méterrel legyen magasabban, mint az illető helyszín.
- A létrán állva csak könnyű és könnyen kezelhető felszereléseket használjon.
- Munka közben kapaszkodjon egyik kezével, vagy tegyen más biztonsági intézkedéseket, ha ez nem lehetséges.

Gondozás és karbantartás

A teleszkópos létra precíziós szerszám. Egyedi tulajdonságainak megőrzése érdekében bánjon vele gondosan.

Tartsa mindig tisztán, különös tekintettel a teleszkópcsőre.

Ne használja (csúszásgátló) gumipapucsok és tetővédő kupak nélkül. A tetővédő akadályozza meg, hogy a működést rongáló por, forgácsok és hasonlóak a teleszkópcsőbe jussanak. A létra gumipapucsai és tetővédő kupakja kopásnak kitéve tartozékok, ezeket a vízszinteladónál beszerezheti. Az elkopott tartozékokat cserélje le.

A húzógyűrűket nem szabad más típusú húzógyűrűkkel kicserélni. Biztonsági okok miatt kizárólag eredeti tartozékokat szabad használni. Keresse fel a vízszinteladót, ha cserélni kell a húzógyűrűket.

A teleszkópos létrát csak képezített szakember javíthatja. Ne használja a létrát, ha azt meg kell javítani, hanem keresse fel a vízszinteladót.

Figyelem! Rendeljen új tájékoztató matricát, ha a létrán lévő már elkopott, és nehezen olvasható. A címet a használati utasítás hátoldalán találja, vagy keresse fel a vízszinteladót.

Használat előtt ellenőrizze a következőket:

- a teleszkópos csövek nem görbültek vagy csavarodtak meg, nem horpadtak, repedtek vagy korrodáltak
- a teleszkópos csövek csatlakozásai épek
- a szerelések (csavarok, anyák) nem hiányoznak, nem lazultak meg és nem korrodáltak
- a lépcsőfokok nem hiányoznak, nem lazultak meg, koptak el, nem korrodáltak vagy sérültek
- a gumipapucsok és tetővédők nem hiányoznak, nem lazultak meg, koptak el, nem korrodáltak vagy sérültek

- a létra tiszta (nincs rajta szennyeződés, sár, festék, olaj vagy zsír)
- a zárszerkezetek nem sérültek, nem korrodáltak és megfelelően működnek.

FIGYELEM! Ne használjon olyan létrát, amin a fenti hiányosságokat észleli.

HASZNÁLATI UTASÍTÁS

GARANCIA FELTÉTELEK

A gyártó garantálja, hogy a termék mentes a gyártási- és anyaghibáktól. A bizonyíthatóan gyártási- vagy anyaghibák vagy ezek miatt bekövetkező sérülés esetén a vásárló a vásárlás országában érvényben lévő, fogyasztási termékek értékesítésére vonatkozó törvények alapján jogosult a terméket megjavíttatni vagy kicserélni.

Szélesebb körű garancia

A gyártó a vásárlás napjától kezdve egy éven keresztül felel a termék meghibásodásáért.

Érvényességi kör

A gyártó nem vállal felelősséget azon hibákért, melyek esetében valószínűsíthető, hogy a terméket

- nem a használati utasításban leírtaknak megfelelően használták,
- nem a használati utasításban leírtaknak megfelelően tisztították, kezelték, karbantartották, tárolták vagy szállították,
- átépítették, átalakították vagy más külső sérülés vagy baleset érte,
- figyelmetlenség miatt idegen tárggyal vagy anyaggal megsértették,
- túlterhelték,
- nem szerződött javítóműhelyben szervizelték vagy nem eredeti alkatrészeket használtak fel,
- hibásan állították össze.

Nem minősül hibának

- a normális használatból eredő kopás,
- a kopásnak kitéve tartozékok normális fogyása.

Reklamáció

A garancia számla felmutatása ellenében érvényesíthető. A vásárlónak a hiba észrevételezését követő ésszerű időn belül vagy a vásárlás országában előírt határidőn belül értesítenie kell a vízszinteladót reklamációs igényéről.

Szerviz és javítás

A szervizelést és javítást csak engedéllyel rendelkező műhelyben szabad végeztetni, amely minden esetben véleményt ad ki a megfelelő intézkedésről. A javításnál csak eredeti alkatrészeket szabad felhasználni. Az Ön vízszinteladója tájékoztatja Önt a legközelebbi, engedéllyel rendelkező műhely címéről, illetve ezeket megtalálja a használati utasítás hátoldalán is.

ISTRUZIONI PER L'USO

La scala telescopica è una scala telescopica che, grazie alla struttura esclusiva, può essere aperta da un formato compatto alla lunghezza totale oppure a una lunghezza intermedia a piacere.

Per mantenere le caratteristiche e la perfetta funzionalità della scala, seguire le presenti istruzioni per l'uso, la cura e la manutenzione.

ATTENZIONE! La scala telescopica deve essere sempre bloccata correttamente prima dell'utilizzo. Controllare sempre che tutte le sezioni aperte siano bloccate prima di salire sulla scala. Controllare in particolare i ganci di bloccaggio e gli anelli di sgancio.

A Apertura della scala alla lunghezza totale

La scala telescopica si blocca automaticamente all'apertura. Ciascuna sezione ha un bloccaggio dedicato. Per aprire la scala telescopica alla lunghezza totale:

1. Collocare la scala in posizione eretta su una superficie piana e solida. Tenere ferma la scala appoggiando un piede sul piolo inferiore. **Iniziare ad aprire la scala dall'alto:** Afferrare il piolo superiore e tirarlo verso l'alto finché la sezione si blocca.
2. Aprire ora la seconda sezione. Controllare che i ganci di bloccaggio di aprano a 60°.
3. Continuare ad aprire le sezioni finché la scala è stata estratta alla sua lunghezza totale. Le sezioni si bloccano automaticamente a mano a mano che si aprono.
4. **Accertarsi che tutte le sezioni siano bloccate:** i ganci di bloccaggio devono essersi aperti con un angolo di 60°. I ganci di bloccaggio del penultimo piolo sono provvisti di anelli di sgancio. Questi anelli sono in posizione bloccata quando sono **inseriti** nel piolo. Quando la scala è bloccata, devono essere visibili solo gli anelli di sgancio sotto il piolo. All'occorrenza, scuotere la scala in modo che tutte le sezioni si blocchino.
5. Dopo aver controllato che tutte le sezioni sono bloccate, è possibile utilizzare la scala. Sistemare la scala in modo stabile e con un'inclinazione di 75°.

ATTENZIONE! Appoggiare la scala ad una superficie liscia e solida e assicurarla prima dell'utilizzo, ad esempio legandola o stabilizzandola con un dispositivo adeguato.

B Apertura della scala alla lunghezza intermedia

Aprire la scala telescopica ad una lunghezza intermedia a piacere:

6. Collocare la scala telescopica in posizione eretta su una superficie piana e solida. Tenere ferma la scala appoggiando un piede sul piolo inferiore. Afferrare il piolo selezionato come piolo superiore e tirarlo verso l'alto finché la sezione non si blocca.
7. Proseguire quindi con una sezione per volta finché tutte le sezioni al di sotto della precedente non sono completamente estese e le sezioni rimanenti, non sono ritratte in cima alla scala. Controllare che i ganci di bloccaggio di aprano a 60°.
8. **Accertarsi che tutte le sezioni aperte siano bloccate:** i ganci di bloccaggio devono essersi aperti con un angolo di 60°. I ganci di bloccaggio del penultimo piolo sono provvisti di anelli di sgancio. Questi anelli sono in posizione bloccata quando sono **inseriti** nel piolo. Quando la scala è bloccata, devono essere visibili solo gli anelli di sgancio sotto il piolo. All'occorrenza, scuotere la scala in modo che tutte le sezioni si blocchino.
9. Dopo aver controllato che tutte le sezioni aperte sono bloccate, è possibile utilizzare la scala. Sistemare la scala in modo stabile e con un'inclinazione di 75°.

NOTA! Non è possibile accorciare una scala già aperta. Per accorciare una scala aperta occorre sempre chiuderla completamente, quindi aprirla alla lunghezza intermedia desiderata.

C Chiusura della scala

Procedere come segue:

10. Pulire la scala se necessario (vedere di seguito).
11. Tenere la scala in posizione eretta in modo da **evitare di pizzicarsi le mani** mentre si sblocca e si chiude la scala: afferrando l'asta telescopica leggermente sopra i pioli si mantiene un migliore equilibrio.

12. Tirare gli anelli di sgancio verso il basso con l'altra mano, uno alla volta, per sbloccare il meccanismo di fissaggio e chiudere la scala. (A volte è necessario tirare una seconda volta il primo anello di sgancio).
13. Afferrare l'asta telescopica della scala leggermente sopra il piolo e chiudere la sezione in modo **controllato** con entrambe le mani.

RISCHIO DI SCHIACCIAMENTO! Non tenere le mani sopra o tra i pioli mentre si sblocca e si chiude la scala. Chiudere una sezione per volta in modo controllato.

D Pulizia

Per motivi di sicurezza e funzionalità, la scala e in particolare le aste telescopiche e i pioli devono sempre essere tenuti puliti. Sporczia, trucioli, macchie di vernice, colla ecc. devono essere rimossi al termine di ogni utilizzo e prima di chiudere la scala. Pulire la scala con un panno e una piccola quantità di solvente. Dopo la pulizia si possono trattare le aste telescopiche con spray al silicene nel seguente modo: nebulizzare le aste ed asciugare con carta o un panno. La scala deve essere perfettamente asciutta affinché la polvere non attacchi.

E Trasporto e rimessaggio

Spostare la scala nel formato compatto e in posizione verticale, in modo che non cada e non si apra.

Trasportare sempre la scala telescopica in posizione completamente chiusa, nel formato compatto. In tale configurazione le aste telescopiche sono protette da danni e urti che potrebbero pregiudicare la funzionalità della scala. Durante il trasporto, fissare bene la scala al portapacchi oppure all'interno del furgone in modo che non rimanga danneggiata.

Conservare la scala telescopica

- sempre completamente chiusa in formato compatto
- in un luogo sano (senza umidità, lontano da fonti di calore, termosifoni ecc)
- in modo che non possa rimanere danneggiata da veicoli, oggetti pesanti o sostanze inquinanti
- in un posto in cui non sia d'intralcio e non costituisca pericolo di inciampamento
- in modo che non possa facilmente essere usata a scopi criminali, preferibilmente chiusa con un lucchetto

ISTRUZIONI PER L'USO

- se è permanentemente aperta (ad esempio in un cantiere), fuori dalla portata di persone non autorizzate (ad esempio bambini).

Prima dell'uso

- Il proprietario della scala deve assicurarsi che l'utente abbia accesso al manuale per l'uso.
- Prima del primo utilizzo dopo la consegna, controllare che la scala sia in buono stato e che tutte le sue parti funzionino correttamente.
- La condizione fisica dell'utente deve consentire un utilizzo sicuro della scala: alcune condizioni di salute, assunzione di medicine, abuso di alcol o di droghe possono costituire un rischio per la sicurezza.
- Per un uso sicuro della scala, è necessario ispezionarla ogni volta che la si utilizza, per verificare che non vi siano componenti danneggiati da sollecitazioni. Vedere la sezione "Cura e manutenzione".
- Se la scala è usata in un contesto professionale, ispezionarla ad intervalli regolari.
- Controllare che la scala sia adatta al lavoro da eseguire.
- Non usare mai una scala danneggiata.
- Rimuovere sporczia quali vernice fresca, fango, olio o neve.
- Prima di usare la scala per effettuare un lavoro, eseguire un'analisi dei rischi e assicurarsi che siano applicate tutte le normative in vigore nel Paese in cui ci si trova.
- La scala può essere usata e riposta a temperature ambiente da -20°C a +60°C.

Sistemazione

- Controllare che la scala sia ben bloccata prima di usarla.
- La scala deve essere sistemata in modo corretto, con un'inclinazione di 75° rispetto al terreno e con i pioli orizzontali.
- La scala deve poggiare in modo stabile su una superficie uniforme, orizzontale e solida. La scala non deve essere inclinata lateralmente e nessun piede deve essere sollevato da terra o appoggiare su una superficie scivolosa.
- Appoggiare la scala ad una superficie liscia e solida e assicurarla prima dell'utilizzo, ad esempio legandola o stabilizzandola con un dispositivo adeguato. Non appoggiare la scala ai pioli ma alle aste
- Non spostare la scala in una nuova posizione agendo dall'alto.

ISTRUZIONI PER L'USO

- Fare attenzione ai rischi cui sono esposti pedoni e automobili; non collocare la scala nelle vicinanze di porte e finestre che possono venire aperte.
- Identificare tutti i rischi elettrici del luogo di lavoro, ad esempio condutture in pressione o altri apparecchi elettronici non protetti.
- La scala deve poggiare sui suoi piedini e non sui pioli.
- Non appoggiare la scala su superfici scivolose (come ghiaccio, superfici lucide o molto sporche), a meno di non adottare delle contromisure atte ad impedire che la scala scivoli, oppure ripulendo accuratamente la zona.
- Se si usa la scala per accedere a superfici a grandi altezze, adottare sempre ulteriori misure di sicurezza, ad esempio legando la scala o facendo uso di un apposito dispositivo per stabilizzarla.
- Usare la scala per lavori leggeri e per breve tempo.
- Non usare scale in materiale conduttore per i lavori sugli impianti elettrici.
- Non usare la scala all'aperto in caso di cattive condizioni meteorologiche, ad esempio vento forte.
- Assicurarci che i bambini non giochino con la scala.
- Bloccare le porte (tranne le uscite di sicurezza) e le finestre del posto di lavoro se possibile.
- Salire e scendere dalla scala con il viso rivolto verso la scala.
- Tenersi bene alla scala quando si sale o si scende.
- Usare scarpe adatte quando si usa la scala.
- Evitare i lavori che comportano un grande carico su un lato, ad esempio praticare fori nel muro o nel calcestruzzo.
- Non sostare per lunghi periodi sulla scala senza fare pause ad intervalli regolari (la stanchezza è un rischio).
- Se la scala viene appoggiata al muro per accedere ad un piano superiore, la scala deve sporgere di almeno un metro sopra il punto di discesa dell'operatore.
- Usare solo dispositivi leggeri e maneggevoli quando si lavora sulla scala.
- Tenersi con una mano quando si lavora sulla scala, oppure adottare altre misure di sicurezza se non è possibile tenersi.

Utilizzo

- La portata massima della scala è 150 kg.
- Non utilizzare la scala con un passo irregolare dei pioli.
- Non sostare sui tre pioli superiori quando la scala è appoggiata alla parete.
- Non utilizzare la scala appesa.
- Non aprire, chiudere o utilizzare la scala in posizione ribaltata.
- Non utilizzare la scala in posizione orizzontale oppure come ponte. In caso di emergenza, tuttavia, la scala può essere utilizzata come barella se è allungata al massimo a 2 metri.
- Non utilizzare la scala per lavori sporchi o in ambienti molto sporchi. Se la scala è utilizzata ad esempio per lavori di muratura, gettate di cemento o verniciatura, con il tempo può essere difficile pulirla a fondo e si può pregiudicare il funzionamento delle aste telescopiche.
- Non utilizzare la scala in pozzi pieni d'acqua o simili per prevenire l'ingresso nelle aste telescopiche di sporcizia che potrebbe pregiudicare il corretto funzionamento della scala.
- Trattare la scala con cura, senza sbattere le aste telescopiche contro corpi contundenti. Danni alle aste telescopiche pregiudicano il corretto funzionamento della scala.
- Non collegare in nessun modo tra loro i due anelli di sgancio.
- Non sporgersi troppo da un lato. Durante il lavoro, il moschettone di sicurezza dell'utente deve trovarsi all'interno dei montanti della scala ed entrambi i piedi devono sempre poggiare sullo stesso piolo.

Cura e manutenzione

Questa scala telescopica è un attrezzo di precisione. Per non pregiudicare le caratteristiche esclusive della scala, maneggiarla con cura.

La scala, e in particolare le aste telescopiche, devono essere sempre mantenute pulite.

Non usare la scala telescopica se priva di piedini di gomma (protezioni antiscivolo) e protezioni superiori. Le protezioni superiori impediscono a polvere, trucioli ecc. di penetrare all'interno delle aste telescopiche e pregiudicano il corretto funzionamento della scala. I piedini di gomma e le protezioni superiori della scala sono soggetti a normale usura e possono essere acquistati presso

il rivenditore. Sostituire le protezioni quando mostrano segni di usura.

Gli anelli di sgancio non devono essere sostituiti da altri tipi di anelli di sgancio. Per ragioni di sicurezza, usare solamente ricambi originali. Rivolgersi al rivenditore se è necessario sostituire gli anelli di sgancio.

La scala telescopica deve essere riparata solo da personale qualificato. Non usare la scala telescopica se deve essere sottoposta a riparazione! Rivolgersi al rivenditore.

NOTA! Ordinare una nuova etichetta informativa se l'etichetta sulla scala inizia a rompersi o è difficilmente leggibile. Vedere l'indirizzo sul retro delle istruzioni per l'uso oppure contattare il rivenditore locale.

Prima dell'uso controllare che

- le aste telescopiche non siano piegate, torte, battute, spaccate o corrose
- le aste telescopiche siano integre nei punti di raccordo
- la viteria (rivetti, viti ecc) non manchino, non siano allentati e non siano corrosi
- i pioli non manchino, non siano allentati, usurati, corrosi o danneggiati
- i piedini in gomma e le protezioni superiori non manchino, non siano allentati, usurati, corrosi o danneggiati
- tutta la scala sia pulita (priva di sporco, fango, vernice, olio o grasso)
- i dispositivi di bloccaggio non siano danneggiati o corrosi e funzionino correttamente.

ATTENZIONE! Se si verificano le condizioni elencate sopra, non usare la scala.

GARANZIA

Il Costruttore garantisce il prodotto per eventuali difetti del materiale o di fabbricazione. Se è possibile dimostrare difetti del materiale o di fabbricazione, oppure danni provocati a causa di tali difetti del materiale o di fabbricazione, l'acquirente ha il diritto di ottenere la riparazione o la sostituzione del prodotto secondo le leggi sulla vendita di merci al consumatore in vigore nel paese di acquisto.

Garanzia estesa

Il Costruttore è responsabile dei difetti del prodotto che si verificano entro un anno dalla data originale di acquisto.

ISTRUZIONI PER L'USO

Campo d'applicazione

Tuttavia la responsabilità del Costruttore decade qualora il difetto possa essere ricondotto a:

- utilizzo in modo difforme da quanto previsto nelle presenti istruzioni per l'uso;
 - pulizia, cura, manutenzione, conservazione e trasporto in modo difforme da quanto previsto nelle presenti istruzioni per l'uso;
 - modifica, manomissione o altro danno esterno o incidente;
 - danni involontari causati da oggetti o sostanze estranee;
 - sovraccarico;
 - riparazione da parte di personale non autorizzato oppure utilizzo di parti di ricambio non originali;
 - installazione errata.
- Non sono considerati difetti:
- normale usura
 - normale consumo di componenti soggetti a usura.

Reclami

Affinché la garanzia sia valida è necessario mostrare la ricevuta d'acquisto. L'acquirente deve informare il rivenditore del difetto per il quale desidera sporgere reclamo entro un termine congruo dopo la scoperta del difetto oppure entro il tempo previsto per legge nel paese di acquisto.

Assistenza e riparazione

Eventuali operazioni di assistenza o riparazione devono essere sempre eseguite da un centro di assistenza autorizzato, che valuterà gli interventi da adottare nel caso specifico. In caso di riparazione vanno utilizzati parti di ricambio originali. Rivolgersi al rivenditore per indicazioni sul centro di assistenza autorizzato più vicino, oppure all'indirizzo riportato a tergo delle istruzioni per l'uso.

NAUDOJIMO INSTRUKCIJA

Teleskopinės kopėčios – tai kopėčios, kurios dėl savo unikalių konstrukcijų ištraukiamos pailgėja nuo kompaktiško formato iki viso arba tarpinio ilgio.

Jei pageidaujate išlaikyti kopėčių funkcionalumą ir savybes, naudokite, prižiūrėkite ir dirbkite su šiomis kopėčiomis pagal šias naudojimo instrukcijas.

PASTABA! Darbo metu teleskopinės kopėčios visada turi būti tinkamai užfiksuotos. Prieš lipdami ant kopėčių visada patikrinkite, ar visos ištrauktos pakopų sekcijos yra užfiksuotos. Ypač patikrinkite fiksatorius su traukiamaisiais žiedais.

A Kopėčių ištraukimas visu ilgiu

Teleskopinės kopėčios automatiškai užsifiksuoja, kai jas išskleidžiate. Kiekviena sekcija turi atskirą fiksiatorių. Ištraukite teleskopines kopėčias visu ilgiu:

1. Pastatykite kopėčias ant horizontalaus ir tvirto paviršiaus. Viena koja prispauskite apatinę kopėčių pakopą. **Pradėkite traukti kopėčias nuo viršutinių pakopų:** paimkite už viršutinės kopėčių pakopos ir kelkite ją aukštin tol, kol užsifiksuos pakopos sekcija.
2. Tuomet ištraukite kitą pakopos sekciją. Patikrinkite, ar išlindę fiksiatoriai yra nukreipti 60° kampu pakopos atžvilgiu.
3. Toliau traukite po vieną pakopų sekciją, kol kopėčios bus ištrauktos iki viso ilgio. Pakopų sekcijos automatiškai viena po kitos užsifiksuoja.
4. **Patikrinkite, ar visų pakopų sekcijos yra užfiksuotos:** fiksiatoriai turi būti išlindę 60° kampu pakopos atžvilgiu. Antroje pakopoje nuo apačios fiksiatoriai yra su traukiamaisiais žiedais. Pakopa užfiksuota, kai fiksiatoriai yra **įstumti** į pakopą. Kai pakopa užfiksuota, turi matytis tik traukiamieji žiedai po pakopa. Jei reikia, pareguliuokite kopėčias, kad visos pakopų sekcijos užsifiksuotų.
5. Patikrinę, ar visos pakopų sekcijos užfiksuotos, galite naudoti kopėčias. Stabiliai pastatykite kopėčias, atrėmę jas 75° kampu žemės atžvilgiu.

PASTABA! Atremiamos kopėčios turi būti atremtos į lygų ir tvirtą paviršių, o prieš jas naudojant kopėčios turi būti įtvirtinamos, pvz., jas pririšant arba stabilizuojant atitinkama įranga.

B Kopėčių ištraukimas tarpiniu ilgiu

Ištraukite teleskopines kopėčias iki pasirinkto tarpinio ilgio:

6. Pastatykite teleskopines kopėčias ant horizontalaus ir tvirto paviršiaus. Viena koja prispauskite apatinę kopėčių pakopą. Suimkite už skersinio, kuris, ištraukus teleskopines kopėčias, bus viršutinis, ir traukite jį aukštin tol, kol sekcija užsifiksuos.
7. Traukite kopėčias tol, kol išsitrauks visos kopėčių sekcijos **po** jūsų laikoma sekcija, o kopėčių sekcijos, kurių nenaudosite, suglaustos liktų viršuje. Patikrinkite, ar išlindę fiksiatoriai yra nukreipti 60° kampu pakopos atžvilgiu.
8. **Patikrinkite, ar visų ištrauktų pakopų sekcijos yra užfiksuotos:** fiksiatoriai turi būti išlindę 60° kampu pakopos atžvilgiu. Antroje pakopoje nuo apačios fiksiatoriai yra su traukiamaisiais žiedais. Pakopa užfiksuota, kai fiksiatoriai yra **įstumti** į pakopą. Kai pakopa užfiksuota, turi matytis tik traukiamieji žiedai po pakopa. Jei reikia, pareguliuokite kopėčias, kad visos pakopų sekcijos užsifiksuotų.
9. Patikrinę, ar visos pakopų sekcijos užfiksuotos, galite naudoti kopėčias. Stabiliai pastatykite kopėčias, atrėmę jas 75° kampu žemės atžvilgiu.

DĖMESIO! Negalite sutrumpinti jau ištrauktų kopėčių. Jei norite sutrumpinti kopėčias, pirmiausia turėsite jas visiškai sustumti, o vėliau ištraukti iki pageidaujamo tarpinio ilgio.

C Kopėčių sustūmimas

Norėdami sustumti teleskopines kopėčias atlikite šiuos veiksmus:

10. Jei reikia, nuvalykite kopėčias (žr. žemiau).
11. Laikykite kopėčias stačias tokiu būdu, kad **neprispaustumėte rankos**, kai atleidžiate fiksiatorius ir sustumiate kopėčias: prilaikykite teleskopinį vamzdį truputį aukščiau, kad geriau išlaikytumėte kopėčių pusiausvyrą.

12. Kita ranka vieną po kito patraukite traukiamuosius žiedus – šitaip atsileis fiksavimo mechanizmas ir galėsite sustumti kopėčias. (Kartais jums reikės patraukti pirmąjį žiedą kelis kartus).

13. Abiem rankomis suimkite teleskopinius vamzdžius pakankamame aukštyje ir **atsargiai** sustumkite juos.

DĖMESIO, GALITE PRISIPAUSTI RANKAS! Atlaisvindami ir sustumdami kopėčias nelaikykite rankų ant pakopų sekcijų arba tarp jų. Atsargiai iki galo sustumkite kiekvieną sekciją.

D Valymas

Saugumo ir funkcionalumo sumetimais teleskopinės kopėčios visada turi būti švarios, ypač teleskopiniai vamzdžiai ir pakopos. Kiekvieną kartą po darbo, prieš sustumiant kopėčias, reikia nuplauti arba nušluostyti nešvarumus, pjuvenas, dažus, kljus ir pan. Nuvalykite kopėčias šluoste su trupučiu tirpiklio. Nuvalius teleskopines kopėčias, teleskopinius vamzdžius galima apdoroti silikoniniu purškalu. Nupurškite vamzdžius ir nusauskite juos popieriumi arba šluoste. Kopėčios visada turi būti sausos, kad prie jų neliptų dulksės.

E Transportavimas ir laikymas

Teleskopines kopėčias nešiokite sustumtas iki kompaktiškos formos ir vertikalioje padėtyje, kad kopėčios neišsiskleistų.

Teleskopines kopėčias visada transportuokite iki galo sustumtas ir kompaktiškos formos. Šitaip apsaugosite teleskopinius vamzdžius nuo smūgių ir pažeidimų, galinčių turėti neigiamos įtakos kopėčių funkcionalumui. Tinkamai ir stabiliai pritvirtinkite transportuojamas kopėčias ant automobilio stogo arba sunkvežimyje, kad jos nebūtų pažeistos.

Teleskopinės kopėčios laikomos

- visiškai sustumtas iki kompaktiškos formos
- tokiomis sąlygomis, kad joms nebūtų pakenkta (pvz., ne drėgmėje, karštyje ar prie radiatoriaus)
- taip, kad jų nesugadintų transporto priemonės, sunkūs daiktai arba teršalai
- taip, kad jos neužtvirtėtų praėjimo arba nekiltų pavojus už jų užkliūti
- taip, kad jų nebūtų galima lengvai panaudoti nusikaltimui vykdyti, jas galima prirakinti

NAUDOJIMO INSTRUKCIJA

- apsaugotos nuo netinkamo naudojimo (pvz., nuo vaikų), jei jos pastatytos ilgam laikui (pvz., statant namą)

Prieš naudojant kopėčias

- Kopėčių savininkas turi pasirūpinti, kad kopėčių naudotojas galėtų susipažinti su instrukcija.
- Prieš pirmą kartą naudodami ką tik pristatytas kopėčias patikrinkite, ar jos nesugadintos ir ar visos konstrukcijos dalys deramai veikia.
- Kopėčias galite naudoti, jei neturite sveikatos problemų. Tam tikros sveikatos problemos, vaistai, piktnaudžiavimas alkoholiu arba narkotikais gali sukelti pavojų jūsų saugai.
- Jei norite saugiai naudotis kopėčiomis, apžiūrėkite jas kiekvieną dieną prieš darbą ir įsitikinkite, ar jos nesugadintos, žr. „Priežiūros ir remonto“ skyrių.
- Jei kopėčios naudojamos profesionaliai, jas reikia nuolat tikrinti.
- Įsitikinkite, ar kopėčios tinka dabartiniam darbui atlikti.
- Nenaudokite sugadintų kopėčių.
- Nuvalykite teršalus, pvz., nenuodžiūvusius dažus, molį, tepalą ir sniegą.
- Prieš naudojant kopėčias darbe reikia įvertinti darbo su jomis riziką ir laikytis šalies, kurioje naudojamos kopėčios, teisės aktų nuostatų.
- Kopėčias galima naudoti ir laikyti oro temperatūrai esant nuo -20°C iki +60°C.

Kopėčių statymas

- Prieš naudodami kopėčias patikrinkite, ar jų sekcijos tinkamai užfiksuotos.
- Kopėčios turi būti tinkamai pastatytos: atremtos 75° kampu žemės atžvilgiu, o pakopos turi būti horizontalioje padėtyje.
- Kopėčios turi stabiliai stovėti ant lygus, horizontalaus ir tvirto paviršiaus. Kopėčios negali būti atremtos šonu, nesiremti viena kuria kojele arba svyruoti.
- Atremiamos kopėčios turi būti atremtos į lygų ir tvirtą paviršių, o prieš jas naudojant kopėčios turi būti įtvirtinamos, pvz., jas pririšant arba stabilizuojant atitinkama įranga. Statykite kopėčias taip, kad jos stovėtų atsiremusias ne pakopomis, o vamzdžiais.
- Kopėčių negalima perstatyti į kitą vietą iš viršaus.

NAUDOJIMO INSTRUKCIJA

- Įvertinkite pavojų, ar, pvz., praeiviai, automobiliai arba durys gali atsitrengti į kopėčias.
- Įvertinkite visus pavojus darbo vietoje, kurie susiję su elektros srove, pvz., antžemines elektros linijas arba įrangą su atvirais laidais.
- Kopėčios turi būti statomas ant kojelių, o ne ant pakopų.
- Kopėčių negalima statyti ant nestabilius paviršiaus (pvz., slidaus arba akivaizdžiai užteršto), jei kopėčios neapsaugomos nuo slydimo arba paviršius nenuvalomas.

Naudojimas

- Maksimali leidžiama kopėčių apkrova yra 150 kg.
- Kopėčių negalima naudoti, jei atstumas tarp pakopų nevienodas.
- Nestovėkite ant trijų viršutinių atremiamų kopėčių pakopų.
- Draudžiama naudoti pakabintas kopėčias.
- Draudžiama kopėčias ištraukti, sustumti arba naudoti apverstas kopėčias.
- Draudžiama naudoti kopėčias horizontalioje padėtyje arba kaip tiltelį. Avarinėse situacijose kopėčias galima naudoti vietoje neštuvų, ištraukus ne daugiau kaip iki maždaug 2 m.
- Nenaudokite kopėčių nešvariam darbui arba nešvarioje aplinkoje. Naudojant kopėčias, pavyzdžiui, mūrijimo, betonavimo arba dažymo darbams, laikui bėgant darosi sunku jas išlaikyti švarias, tai kenkia teleskopinei funkcijai.
- Nenaudokite kopėčių šuliniuose su vandeniu, nes į sustumiamus teleskopinius vamzdelius gali patekti nešvarumai ir pakenkti teleskopinei funkcijai.
- Saugokite teleskopinius vamzdžius nuo smūgių ir sutrenkimų. Vamzdžių pažeidimai kenkia teleskopinei funkcijai.
- Traukiamųjų žiedų negalima koku nors būdu sujungti tarpusavyje.
- Per daug nepersisverkite į vieną šoną. Naudotojo diržo sagtis (bamba) turi neišsikišti už kopėčių šoninių vamzdžių, o darbo metu abi kojos turi būti pastatytos ant tos pačios pakopos.
- Nelipkite atremiamomis kopėčiomis į didesnę aukštį, jei prieš tai neužtikrinote kopėčių stabilumo, pvz., nepiršite kopėčių arba nenaudojote tinkamos stabilizavimo įrangos.
- Kopėčias galima naudoti tik trumpam nesunkiam darbui.

- Darbams su elektros įtampa naudokite elektrai nelaidžias kopėčias.
- Nenaudokite kopėčių lauke esant nepalankioms oro sąlygoms, pvz., pučia stiprus vėjas.
- Imkitės priemonių, kad vaikai nežaistų su kopėčiomis.
- Jei įmanoma, darbo vietoje užrakinkite duris (tačiau ne avarinio išėjimo) ir uždarykite langus.
- Kopėčiomis lipkite ir leiskitės atsiskų į jas veidu.
- Lipdami arba leisdamiesi kopėčiomis tvirtai į jas įsikibkite.
- Lipdami ant kopėčių naudokite tinkamą avalynę.
- Venkite per didelės šoninės apkrovos, kuri gali atsirasti naudojant plytų ar betono gražtą.
- Nestovėkite ant kopėčių per ilgai be nuolatinių pertraukų (nuovargis kelia pavojų).
- Kad pasiektumėte aukštesnį lygį, atremiamas kopėčias atremkite mažiausiai 1 m virš siekiamo taško.
- Naudodami kopėčias dirbkite tik su lengva ir patogia įranga.
- Dirbdami ant kopėčių laikykitės įsikibę į kopėčias viena ranka, o jei tai neįmanoma, naudokite kitokias saugos priemones.

Priežiūra ir remontas

Jūsų teleskopinės kopėčios yra tikslus darbo įrankis. Rūpestingai jas prižiūrėkite, kad išsaugotumėte unikalias jų savybes.

Kopėčios turi būti visada švarios, ypač teleskopiniai vamzdžiai.

Teleskopinių kopėčių negalima naudoti be guminių kojelių (apsaugos nuo slydimo) ir plastikinių antgalių. Plastikiniai antgaliai neleidžia į teleskopinius vamzdžius patekti dulkėms, pjuvenoms ir kitiems nešvarumams, galintiems pakenkti kopėčių funkcionalumui. Guminės kopėčių kojelės ir plastikiniai antgaliai yra susidėvinčios detalės, jų galite įsigyti iš kopėčių platintojo. Kai apsaugos pradeda nusidėvėti, nedelsdami jas pakeiskite.

Traukiamųjų žiedų negalima pakeisti kitos rūšies traukiamaisiais žiedais. Saugumo sumetimais turi būti naudojamos tik originalios dalys. Jei traukiamuosius žiedus reikia pakeisti, kreipkitės į platintoją.

Teleskopines kopėčias gali remontuoti tik kvalifikuotas meistras. Nenaudokite teleskopinių

kopėčių, jei jas reikia remontuoti, kreipkitės į platintoją.

DĖMESIO! Jei lipdukas su instrukcijomis ant kopėčių susidėvėjo ir yra sunkiai įskaitomas, užsisakykite naują lipduką. Žr. adresą naudojimo instrukcijos gale arba kreipkitės į vietos platintoją.

Prieš naudodami kopėčias patikrinkite, ar

- teleskopiniai vamzdžiai nesulankstyti, nepersukti, neišsikraipe, nesuskilę arba nepaveikti korozijos
- teleskopiniai vamzdžiai turi visas jungtis
- netrūksta tvirtinimo detalių (kniedžių, varžtų), jos nesilaiko arba nėra paveiktos korozijos
- netrūksta pakopų, jos nepritvirtintos, nusidėvėjusios, paveiktos korozijos arba sugadintos
- netrūksta guminių kojelių ir plastikinių antgalių, jie nepritvirtinti, nusidėvėję, paveikti korozijos arba sugadinti
- visos kopėčios švarios (nėra purvo, molio, dažų, tepalo arba riebalų)
- fiksatorių mechanizmas nesugadintas arba paveiktas korozijos ir tinkamai veikia.

PASTABA! Aptikę minėtus trūkumus kopėčių nenaudokite.

NAUDOJIMO INSTRUKCIJA

GARANTIJOS SĄLYGOS

Gamintojas garantuoja, kad šis gaminys neturi medžiagų ir gamybos defektų. Jei nustatomi medžiagų ar gamybos defektai, arba padaryta žala dėl medžiagų ar gamybos defektų, pirkėjas turi teisę reikalauti sutaisyti gaminį arba pakeisti jį remiantis įstatymais, reglamentuojančiais vartojimo prekių prekybą, taikomais šalyje, kurioje įsigytas gaminys.

Papildoma garantija

Gamintojas prisiima atsakomybę už gaminio defektus, kurie nustatomi per vienus metus nuo produkto įsigijimo dienos.

Garantijos įsipareigojimų apimtis

Gamintojas neatsako už gaminio gedimus, jei yra tikimybė, kad defektą sukėlė:

- naudojimas nesilaikant naudojimo instrukcijos
 - kopėčių nevalymas, nepriežiūra, netinkamas remontas ir laikymas nesilaikant instrukcijų
 - gaminio permontavimas, konstrukcijos keitimas arba kiti išoriniai pažeidimai ar netyčiniai veiksmai
 - netyčinė žala, kurią padarė kitas daiktas ar medžiaga
 - per didelė apkrova
 - remontas, kurį atliko neįgaliotas meistras, arba naudotos neoriginalios atsarginės dalys
 - netinkamas montavimas.
- Defektu nelaikomas
- įprastas nusidėvėjimas
 - įprasta susidėvinčių detalių išėiga.

Skundai

Reikalaujant garantinio aptarnavimo reikia pateikti pirkimo čekį. Pirkėjas turi informuoti platintoją apie defektą, dėl kurio jis nori pateikti skundą, per pagrįstą laiką nuo defekto nustatymo arba per terminą, kuris nustatytas šalies, kurioje įsigytas gaminys, įstatymais.

Techninis aptarnavimas ir gedimų taisymas

Techninį aptarnavimą ir gedimų taisymą visada turi atlikti įgaliotos remonto dirbtuvės, kurios kiekvienu individualiu atveju nustato tinkamą veiksmų eigą. Remontui visada turi būti naudojamos originalios atsarginės dalys. Apie artimiausią įgaliotą remonto dirbtuvių vietą jus informuos kopėčias pardavęs platintojas arba žr. adresą kitoje naudojimo instrukcijos pusėje.

LIETOŠANAS INSTRUKCIJA

Teleskopiskās kāpnes ir izvelkamas kāpnes, ko unikālās konstrukcijas dēļ no kompakta formāta var izbīdīt maksimālajā garumā, kā arī jebkurā starpgarumā.

Lai saglabātu kāpņu īpašības un nevainojamu darbību, tās ir jāizmanto, jākopj un jāuztur atbilstošā stāvoklī saskaņā ar lietošanas instrukcijuturpmāk sniegtajiem norādījumiem.

BRĪDINĀJUMS! Teleskopiskās kāpnes pirms to lietošanas pareizi jāfiksē. Pirms kāt uz kāpnēm, pārlicinieties, ka visi izvilktie posmi ir nofiksēti. Sevišķu uzmanību pievēršiet fiksēšanas svīrām ar spriegotājgredzeniem.

A Kāpņu izbīdīšana visā garumā

Teleskopiskās kāpnes nofiksējas automātiski, kad tās izvelk. Katram posmam ir savs fiksācijas mehānisms. Lai izbīdītu teleskopiskās kāpnes visā garumā, rīkojieties šādi:

1. Kāpnes jānovieto uz stingras horizontālas virsmas. Stabilizējiet kāpnes, novietojot vienu kāju uz zemākā pakāpiena. Izbīdīties kāpnes, sākot ar augšējo posmu: satveriet un velciet uz augšu augšējo pakāpienu, līdz kāpņu posms nofiksējas.
2. Pēc tam izbīdīiet nākamo posmu. Pārbaudiet, vai abas fiksēšanas svīras atrodas 60° leņķī uz leju.
3. Turpiniet izbīdīt pa vienam posmam, līdz kāpnes ir izbīdītas visā garumā. Segmenti automātiski fiksējas cits pēc cita.
4. **Pārbaudiet, vai visi posmi ir nofiksējušies:** fiksēšanas svīrām jābūt 60° leņķī uz leju. Otrajam pakāpienam no apakšas ir fiksēšanas svīras ar spriegotājgredzeniem. Fiksētā pozīcijā svīras ir pilnībā **iebidītas** pakāpienā. Kad kāpnes ir nofiksētas, zem pakāpiena drīkst būt redzami tikai spriegotājgredzeni. Ja nepieciešams, mazliet pakratiet kāpnes, lai visi posmi nofiksējas.
5. Kad ir veikta pārbaude, vai visi posmi ir nofiksēti, varat lietot kāpnes. Uzstādiet kāpnes stabilā pozīcijā 75° leņķī pret zemi.

BRĪDINĀJUMS! Pieslienamo kāpņu augšgals jābalsta pret līdzenu un stingru virsmu, un lietotājam tās jānostiprina, piemēram, piesienot vai ar citu saprātīgu metodi.

B Kāpņu izbīdīšana starpgarumos

Lai izbīdītu teleskopiskās kāpnes jebkurā maināmā garumā, rīkojieties šādi:

6. Novietojot kāpnes uz stingras horizontālas virsmas. Stabilizējiet kāpnes, vienu kāju novietojot uz apakšējā pakāpiena. Turiet kāpnes aiz posma, kuram būs jāatrodas izvilktu kāpņu pašā augšā, un velciet uz augšu, līdz šis segments nofiksējas.
7. Turpiniet izvilkt kāpnes, līdz visi zemāk esošie pakāpienu segmenti ir izvilkti, bet neizmantojie pakāpienu segmenti sakopoti atrodas augšpusē. Pārbaudiet, vai fiksēšanas svīras atrodas aptuveni 60° leņķī uz leju.
8. **Pārbaudiet, vai izvilktie posmi ir nofiksēti:** fiksēšanas svīrām jāatrodas 60° leņķī uz leju. Otrajam posmam no apakšas ir fiksēšanas svīras ar spriegotājgredzeniem. Fiksētā pozīcijā svīras ir pilnībā **iebidītas** pakāpienos. Kad kāpnes ir nofiksētas, zem pakāpiena drīkst būt redzami tikai spriegotājgredzeni. Ja nepieciešams, mazliet pakratiet kāpnes, lai visi posmi nofiksējas.
9. Kad ir ticis pārbaudīts, ka visi posmi ir nofiksēti, varat izmantot kāpnes. Uzstādiet kāpnes stabili 75° leņķī pret zemi.

UZMANĪBU! Jau izbīdītas kāpnes nevar saīsināt. Ja rodas nepieciešamība kāpnes saīsināt, tās sākumā ir pilnībā jāsabīda un pēc tam jāizbīda vajadzīgajā starpgarumā.

C Kāpņu sabīdīšana

Lai sabīdītu teleskopiskās kāpnes, rīkojieties šādi:

10. Ja nepieciešams, notīriet kāpnes (skatiet informāciju zemāk).
11. Turiet kāpnes augšupvērstā pozīcijā tā, lai atbloķējot un sabīdot posmus, tie neķertos. Satveriet teleskopisko stieni kāpņu augšējā daļā, lai izvairītos no disbalansa.
12. Ar otru roku pa vienam velciet uz leju spriegotājgredzenus. Tādā veidā fiksēšanas mehānisms tiek atbrīvots, un kāpnes var sabīdīt. (Dažreiz pirmo gredzenu ir jāpavelk uz leju otru reizi.)
13. Turiet kāpnes teleskopiskā stieņa augšējā daļā, un **kontrolēti** sabīdiet ar agām rokām.

IESPIEŠANAS BĪSTAMĪBA! Lai novērstu roku saspiešanas risku, nenovietojiet tās uz vai starp pakāpieniem kāpņu sabīdīšanas laikā. Katrs posms ir jāsabīda kontrolēti.

D Tīrīšana

Drošības un funkcionālu apsvērumu dēļ teleskopiskām kāpnēm jābūt pastāvīgi tīrām, sevišķi teleskopiskajiem stieņiem un pakāpieniem. Netīrumi, skaidas, krāsas šķakatas, līmējošu materiālu atliekas utt. pēc katras lietošanas reizes pirms kāpņu sabīdīšanas jānoslauka vai jānomazgā. Tīrīšana jāveic ar lupatīņu, kas samitrināta ar šķaidītāju. Pēc tīrīšanas teleskopiskos stieņus var apstrādāt ar silikona izsmidzinātāju. Stieņus ir jāapsmidzina un jānoberž ar papīru vai dvieli. Kāpnēm vienmēr jābūt sausām, lai putekļi nepiekalstu pie kāpnēm.

E Transportēšana un glabāšana

Teleskopiskās kāpnes jānēsā kompaktajā formātā un vertikāli, lai tās neatveras.

Teleskopiskās kāpnes ir jātransportē pilnībā sabīdītas kompakta formātā. Tādā veidā teleskopiskie stieņi tiek pasargāti no triecieniem un bojājumiem, kas var mazināt kāpņu funkcionalitāti. Transportēšanas laikā uzmanīgi piestipriniet kāpnes uz jumta bagāžnieka vai kravas nodalījumā, lai tās netiktu bojātas.

Teleskopiskās kāpnes jāglabā šādi:

- pilnībā sabīdīti kompaktajā formātā,
- nekaitējošos apstākļos (ne pārāk augsts mitrums, karstums, siltumķermeņu tuvums utt.),
- bez apdraudējumiem, ko var radīt transportlīdzekļi, smagi priekšmeti vai piesārņojums,
- vietā, kur kāpnes netraucē un nerada paklupšanas riskus,
- lai tās nevarētu izmantot krimināliem mērķiem, vēlams saslēgt ar atslēgu,
- pasargātas no nepilnvarotas lietošanas (piemēram, no bērniem), ja tās ilgstoši stāv uzstādītas (piemēram, būvobjektā).

LIETOŠANAS INSTRUKCIJA

Pirms lietošanas

- Kāpņu īpašniekam jānodrošina, lai lietotājam būtu pieejama kāpņu lietošanas instrukcija.
- Pēc pirmās lietošanas reizes pēc piegādes jāpārbauda, vai kāpnes ir labā stāvoklī un vai visas daļa ir funkcionāli derīgas.
- Jūsu veselības stāvoklim jābūt atbilstošam, lai varētu lietot kāpnes. Veselības stāvoklis, medikamenti un alkohola vai narkotiku lietošana var izraisīt drošības riskus.
- Lai kāpņu lietošana būtu droša, tās katru lietošanas reizi ir jāpārbauda, lai nodrošinātu, ka nav radušies nekādi bojājumi (skatiet „Kopšana un apkope” zemāk).
- Ja kāpnes tiek lietotas uzņēmējdarbībā, tās regulāri jāpārbauda.
- Pārbaudiet, vai kāpnes ir piemērotas pašreizējiem darbiem.
- Neizmantojiet bojātas kāpnes.
- Noņemiet netīrumus, piemēram, mitru krāsu, mālu, eļļu un sniegu.
- Pirms kāpņu lietošanas jāveic risku analīze un jāņem vērā valsts, kur tās tiek lietotas, noteikumi.
- Kāpnes drīkst izmantot un glabāt pie apkārtējās temperatūras -20 °C līdz 60 °C.

Uzstādīšana

- Pirms lietošanas pārbaudiet, vai kāpnes ir kārtīgi nofiksētas.
- Kāpnēm jābūt pareizi uzstādītām, ar 75° leņķi pret pamatni un, pakāpieniem atrodoties horizontāli.
- Kāpnēm stabili jāstāv uz pamatnes, horizontālas un stingras virsmas. Kāpnes nedrīkst būt sasnētas uz sāniem, nedrīkst palikt nenoslogota kāda no kājām, un tās nedrīkst uzstādīt uz slidošas virsmas.
- Pieslienamo kāpņu augšgals jābalsta pret līdzenu un stingru virsmu, un lietotājam tās jānostiprina, piemēram, piesienot vai ar citu saprātīgu metodi. Balstiet kāpnes nevis pret pakāpieniem, bet gan posmiem.
- Kāpnes nedrīkst pārvietot citā pozīcijā no augšas.
- Ņemiet vērā briesmas, kuras var izraisīt, piemēram, kājāmgājēji, automašīnas vai durvis, kas var atsisties pret kāpnēm.
- Jāidentificē visi elektriskie apdraudējumi darba vietā, piemēram, gaisvadi un citi neaizsargāti vadītāji.

LIETOŠANAS INSTRUKCIJA

- Kāpnes drīkst balstīt tikai uz to kājām, nevis uz pakāpieniem.
- Kāpnes nedrīkst uzstādīt uz slidenas pamatnes (piemēram, ledus, ļoti gludām vai ļoti netīrām virsmām), ja nav veikti pasākumi pret kāpņu slidēšanu vai pamatne nav kārtīgi notīrīta.

Lietošana

- Kāpnes ir paredzētas ne lielākai slodzei par 150 kg.
- Kāpnes nedrīkst izmantot, ja pakāpienu augstums ir atšķirīgs.
- Nestāviet uz trim pieslienamo kāpņu augšējiem pakāpieniem.
- Nekādā gadījumā neizmantojiet kāpnes iekārtā stāvoklī.
- Kāpnes nedrīkst izbīdīt, sabīdīt vai lietot, ja tās novietotas otrādi.
- Neizmantojiet kāpnes horizontālā pozīcijā vai kā tiltu. Tomēr avārijas situācijās tās var izmantot kā nestuves, ja kāpņu garums nepārsniedz 2 m.
- Neizmantojiet kāpnes netīrumus radošos darbos vai darbos netīros apstākļos. Ja kāpnes tiek izmantotas, piemēram, mūrnieku, betondarbos vai krāsošanas darbos, ar laiku tās var būt grūti notīrīt, kas var traucēt teleskopiskajai funkcijai.
- Neizmantojiet kāpnes ar ūdeni piepildītās kamerās, jo tādā veidā teleskopiskajos stieņos var iekļūt netīrumi, kas var traucēt teleskopisko funkciju.
- Aizsargājiet teleskopiskos stieņus tajā daļā, kuras nesiedz pakāpieni, jo stieņu bojājumi var traucēt teleskopisko funkciju.
- Sprostgredzenus nedrīkst nekādā veidā savstarpēji savienot.
- Nestiepieties pārāk tālu uz sāniem. Visā darba laikā lietotāja jostasvieta (vai naba) nedrīkst atrasties ārpus kāpņu zonas, bet abām kājām jāstāv uz viena kāpņu pakāpiena.
- Nedrīkst nokāpt no pieslējamām kāpnēm no lielāka augstuma, ja nav nodrošināta papildu drošība, piemēram, piesienot kāpņu augšgalu, vai ar kādu citu saprātīgu metodi.
- Kāpnes drīkst izmantot tikai īslaicīgiem, viegliem darbiem.
- Elektodarbiem jāizmanto strāvu nevadošas kāpnes.
- Neizmantojiet kāpnes ārā, ja ir sliktis laiks (piemēram, spēcīgs vējš).
- Rūpējieties, lai ar kāpnēm nespēlētu bērni.

- Ja iespējams, aizslēdziet durvis (ne avārijas izejas) un logus darba vietā.
- Uzķāpjot un nokāpjot, sejai jābūt vērstai pret kāpnēm.
- Uzķāpjot un nokāpjot, kārtīgi turieties pie kāpnēm.
- Lietojot kāpnes, jāvalkā atbilstoši apavi.
- Izvairieties no darbiem, kas izraisa pārāk lielas sānu slodzes, piemēram, urbšana mūrī vai betonā.
- Nestāviet uz kāpnēm pārāk ilgi, ieturiet regulāras pauzes (nogurums ir riska faktors).
- Pieliekamām kāpnēm, kuras izmanto augstāka līmeņa sasniegšanai, jāsniedz vismaz 1 metru virs augšējās platformas.
- Strādājot uz kāpnēm, izmantojiet tikai vieglu un rokās noturamu aprīkojumu.
- Strādājot uz kāpnēm, pieturieties ar vienu roku vai, ja tas nav iespējams, izmantojiet drošības palīgietais.

Kopšana un tehniskā apkope

Teleskopiskās kāpnes ir precizitātes instruments. Darbojieties ar tām uzmanīgi un tās saglabās savas unikālās īpašības.

Turiet kāpnes pastāvīgi tīras, sevišķi teleskopiskos stieņus.

Teleskopiskās kāpnes nedrīkst izmantot bez gumijas kājiņām (aizsardzība pret slidēšanu) un aizsarguzmavām. Aizsarguzmavas neļauj nonākt teleskopiskajos stieņos putekļiem, izurbtajam materiālam u.c., kas var traucēt teleskopiskajai funkcijai. Gumijas kājiņas un aizsarguzmavas ir dilstošas daļas, kuras var iegādāties specializētos veikalos. Šie aizsargelementi ir jānomaina, tiklīdz parādās nodilums.

Sprostgredzenus nedrīkst nomainīt ar citiem sprostgredzeniem. Drošības apsvērumu dēļ drīkst izmantot tikai oriģinālās daļas. Sazinieties ar savu pārstāvi, ja nepieciešams nomainīt sprostgredzenus.

Teleskopiskās kāpnes jāremontē kvalificētiem speciālistiem. Nedrīkst lietot teleskopiskās kāpnes, ja tās jāremontē. Sazinieties ar savu pārstāvi.

UZMANĪBU! Pasūtiet jaunu uzlīmi, ja instrukciju plāksnīte uz kāpnēm ir nolietojusies un slikti salasāma. Skatiet pasūtīšanas adresi lietošanas pamācības aizmugurē vai sazinieties ar savu pārstāvi.

Pirms lietošanas pārbaudiet:

- Teleskopiskie stieņi nav savērpušies, saliekušies, iepļisuši vai izrūsējuši.
- Teleskopiskie stieņi ir bojāti pieslēgumu vietās.
- Neviena daļa (troses, skrūves utt.) netrūkst, nav vaļīga vai izrūsējusi.
- Nevienam no pakāpieniem netrūkst, nav vaļīgs, nolietojies vai izrūsējis.
- Netrūkst ne gumijas kājiņu, ne aizsarguzmavu; tās nav vaļīgas, nolietotas, izrūsējušas vai bojātas.
- Visas kāpnes ir tīras (bez netīrumiem, māliem, krāsas, eļļas vai taukiem).
- Fiksācijas ietaises nav bojātas vai izrūsējušas un darbojas atbilstoši.

BRĪDINĀJUMS! Neizmantojiet kāpnes, ja tiek atklātas iepriekšminētās problēmas.

LIETOŠANAS INSTRUKCIJA

GARANTIJAS NOTEIKUMI

Ražotājs garantē, ka produktam nav materiāla un ražošanas defektu. Ja atklājas materiāla vai ražošanas defekti vai bojājumi, kas radušies materiāla vai ražošanas defektu dēļ (kas ir pierādāms), pircējam ir tiesības uz produkta remontu vai maiņu atbilstoši iegādes valsts likumiem par patēriņa preču iegādi.

Paplašinātā garantija

Ražotājs uzņemas atbildību par produkta kļūmēm, kas radušās gada laikā kopš iegādes.

Garantijas segums

Ražotājs neuzņemas nekādu atbildību par produkta defektiem, ja ir liela iespējama, ka defektu izraisījis kāds no šiem punktiem:

- Produkts netika lietots atbilstoši lietošanas pamācībai.
- Produkts netika tīrīts, apkopts, glabāts vai transportēts atbilstoši lietošanas pamācībai.
- Produkts tika pārbrūvēts, modificēts vai tika bojāts ārējas ietekmes vai negadījuma rezultātā.
- Produkts nejauci ir bojājuši svešķermeņi vai vielas.
- Produkts tika pārāk daudz noslogots.
- Produktu remontēja neautorizēts servisa partneris vai tika izmantotas neoriģinālās daļas.
- Produkts tika nepareizi uzstādīts.

Par defektiem nav uzskatāmi:

- normāla nolietošana,
- normāla nodilumdaļu nolietošana.

Reklamācija

Garantijas prasību apmierināšanai nepieciešams iegādi apliecinošs dokuments. Pircējam jāinformē pārstāvis par reklamācijas defektu atbilstošā laika periodā pēc defekta atklāšanas vai laikā, kas noteikts iegādes valstī.

Apkope un remonts

Attiecīgos apkopes vai remontdarbus jāveic pilnvarotai darbnīcai, kura katrā atsevišķā gadījumā izmanto atbilstošus risinājumus. Remontam jāizmanto oriģinālās rezerves daļas. Palūdziet savam pārstāvim informāciju par tuvāko pilnvaroto darbnīcu vai skatiet adresi lietošanas pamācības aizmugurē.

GEbruIKSAANWIJZING

De Telescoopladder is een telescopische ladder die vanwege zijn unieke constructie van een compact formaat kan uitschuiven naar maximale lengte of naar een tussenlengte.

Om de eigenschappen en werking van de ladder te behouden, moet u deze gebruiken, verzorgen en onderhouden zoals in de gebruiksaanwijzing wordt beschreven.

Waarschuwing! De Telescoopladder moet altijd goed worden vergrendeld voordat de ladder wordt gebruikt. Controleer altijd of alle uitgeschoven laddersecties zijn vergrendeld, voordat u de ladder opklimt. Controleer vooral de vergrendelingen met de trekkingen.

A De ladder tot maximale lengte uitschuiven

De Telescoopladder vergrendelt automatisch wanneer u hem uitschuift. Elke laddersectie heeft een eigen vergrendeling. De Telescoopladder tot maximale lengte uitschuiven:

1. Plaats de ladder rechtop op een horizontale, stevige ondergrond. Houd de ladder tegen door uw voet op de onderste sport te zetten. **Begin de ladder van bovenaf uit te schuiven:** Pak de bovenste sport vast en trek de eerste laddersectie omhoog tot deze vergrendelt.
2. Open daarna de volgende laddersectie. Controleer of de vergrendelingen in een hoek van 60° naar beneden komen.
3. Ga door tot de ladder tot volle lengte is uitgeschoven. De sporten vergrendelen automatisch al naar gelang de laddersecties worden uitgeschoven.
4. **Controleer of alle laddersecties zijn vergrendeld:** alle vergrendelingen dienen in een hoek van ca. 60° te zijn uitgeklaapt. De op één na laagste sport heeft vergrendelingen met trekkingen. Ze zitten in vergrendelde positie wanneer ze in de sport zijn **ingetrokken**. In vergrendelde stand zullen alleen de trekkingen zichtbaar zijn. Mocht het nodig zijn, kunt u de ladder iets schudden om alle sporten te vergrendelen.
5. Wanneer u hebt gecontroleerd of alle sporten zijn vergrendeld, kunt u de ladder gebruiken. Plaats de ladder op een stevige ondergrond met een hellingshoek van 75°.

Waarschuwing! De opsteekladder moet schuin tegen een vlakke en stevige wand worden geplaatst en voor gebruik worden geborgd, bijvoorbeeld door de ladder vast te binden of te stabiliseren op andere geschikte wijze.

B De ladder tot tussenlengte uitschuiven

De Telescoopladder tot willekeurige tussenlengte uitschuiven:

6. Plaats de Telescoopladder rechtop op een horizontale, stevige ondergrond. Houd de ladder tegen door uw voet op de onderste sport te zetten. Pak de sport vast die het hoogst op de uitgeschoven Telescoopladder moet komen en trek deze omhoog tot deze laddersectie vergrendelt.
7. Ga zo verder totdat alle **onderliggende** laddersecties zijn uitgeschoven en de niet gebruikte laddersecties gezamenlijk bovenaan liggen. Controleer of de vergrendelingen in een hoek van 60° naar beneden komen.
8. **Controleer of alle geopende laddersecties zijn vergrendeld:** alle vergrendelingen dienen in een hoek van ca. 60° te zijn uitgeklaapt. De op één na laagste sport heeft vergrendelingen met trekkingen. Ze zitten in vergrendelde positie wanneer ze in de sport zijn **ingetrokken**. In vergrendelde stand zullen alleen de trekkingen zichtbaar zijn. Mocht het nodig zijn, kunt u de ladder schudden om alle sporten te vergrendelen.
9. Wanneer u hebt gecontroleerd of alle uitgeschoven laddersecties in vergrendelde stand staan, kunt u de ladder gebruiken. Plaats de ladder op een stevige ondergrond met een hellingshoek van 75°.

N.B.! U kunt een eenmaal uitgeschoven ladder niet korter maken. Als het nodig is om de ladder korter te maken, moet u de ladder eerst helemaal inschuiven en vervolgens uitschuiven tot de gewenste tussenlengte.

C De ladder opbergen

Schuif de ladder als volgt in elkaar:

- 10 Maak de ladder indien nodig goed schoon (zie hieronder).

11. Houd de ladder dusdanig rechtop dat **vingers/handen niet bekneld** raken wanneer u de ladder inschuift: houd de telescoopbuis iets hoger op de ladder vast, zodat u een beter evenwicht krijgt.
12. Trek de trekkingen met de andere hand naar beneden, zodat het vergrendelmechanisme wordt vrijgegeven en de ladder in elkaar kan worden geschoven. (soms moet de eerste ring nog een keer naar beneden worden getrokken).
13. Houd de telescoopbuizen van de ladder iets hoger op de ladder vast en schuif de ladder met een **gecontroleerde beweging** met beide handen in elkaar.

RISICO VAN BEKNELLING! Houd uw handen/vingers niet op of tussen de laddersecties wanneer u de ladder ontgrendelt en in elkaar schuift. Schuif iedere laddersectie met een gecontroleerde beweging naar beneden.

D Reiniging

De Telescoopladder moet met het oog op de veiligheid en de werking ervan altijd schoon worden gehouden, met name de telescoopbuizen en de sporten. Vuil, zaagsel, verfspatten, lijm en dergelijke moeten na gebruik altijd worden verwijderd voordat de ladder in elkaar wordt geschoven. Maak de ladder schoon met een doek met wat oplosmiddel. Na reiniging moeten de telescoopbuizen worden behandeld met een siliconenspray. Spuit de buizen in en droog ze daarna af met papier of een poetsdoek. De ladder moet altijd droog zijn om geen stof te binden.

E Transport en opslag

Draag de Telescoopladder in compact formaat. Houd de ladder rechtop zodat hij niet opent en uitschuift.

Vervoer de Telescoopladder altijd helemaal in elkaar geschoven in compact formaat. Zo worden de telescoopbuizen beschermd tegen stoten en beschadigingen, die de werking van de ladder nadelig kunnen beïnvloeden. Om beschadiging tijdens transport op dakdragers of in de vrachtwagen te voorkomen moet de Telescoopladder goed worden vastgezet.

Opslag van de Telescoopladder

- Tijdens opslag moet de ladder helemaal in elkaar zijn geschoven

GEbruIKSAANWIJZING

- Op een plaats waar de ladder niet onderhevig is aan slijtage door bijvoorbeeld vocht, hitte, bij een radiator
- Op een plaats waar de ladder niet kan worden beschadigd door voertuigen, zware voorwerpen of verontreiniging
- Op een plaats waar de ladder niet in de weg ligt of een struikelgevaar oplevert
- Op een plaats waar deze niet voor criminele doeleinden kan worden gebruikt, bij voorkeur aan de ketting
- Indien in permanente uitgetrokken toestand (bijv. op bouwsteigers) moet de ladder zijn beveiligd tegen onachtzaam gebruik (bijv. door kinderen).

Voor gebruik

- De eigenaar van de ladder dient erop toe te zien dat de gebruiker ervan toegang heeft tot de gebruiksaanwijzing van de ladder.
- Voordat de ladder na levering in gebruik wordt genomen, dient u te controleren of de ladder in goede staat is en of alle onderdelen naar behoren functioneren.
- Uw gezondheidstoestand dient zodanig te zijn dat u van een ladder gebruik kunt maken. Een bepaalde gezondheidssituatie, medicijnen, misbruik van alcohol of drugs kunnen een veiligheidsrisico met zich meevoeren.
- Voor een betrouwbaar gebruik van de ladder moet deze alle werkdagen wanneer de ladder wordt gebruikt eerst worden gecontroleerd (zie onder "Verzorging en onderhoud").
- In geval van beroepsmatig gebruik, dient de ladder regelmatig te worden geïnspecteerd.
- Controleer altijd of de ladder geschikt is voor de van toepassing zijnde werkzaamheden.
- Een beschadigde ladder dient niet te worden gebruikt.
- Verwijder vuil zoals, natte verf, modder, olie en sneeuw.
- Voordat de ladder in gebruik wordt genomen, dient er een risicoanalyse te worden uitgevoerd en dienen de landelijke bepalingen in acht te worden genomen.
- De ladder mag worden gebruikt en opgeslagen bij een omgevingstemperatuur van -20°C tot 60°C.

Plaatsing

- Controleer altijd of de ladder goed is vergrendeld voordat u hem gebruikt.
- De ladder dient correct te worden neergezet, d.w.z. onder een hoek van 75° in verhouding tot de ondergrond en met de sporten in horizontale positie.
- De ladder moet op een gelijkmatige, horizontale, stevige ondergrond staan. De ladder mag niet naar één zijkant overhellen, op één poot staan, of op een gladde ondergrond worden geplaatst.
- Als opsteekladder moet deze schuin tegen een vlakke en stevige wand worden geplaatst en voor gebruik worden geborgd, bijvoorbeeld door de ladder vast te binden of te stabiliseren op andere geschikte wijze. Laat de ladder niet op de sporten rusten, maar op de telescopische buizen.
- De ladder mag niet van bovenaf in een nieuwe positie worden gezet.
- Denk aan het risico voor voetgangers die tegen de ladder aanlopen, auto's die er tegen aan rijden, of opengaande deuren die er tegen slaan.
- Identificeer alle elektrische gevaren op de werkplek, zoals luchtleidingen en andere niet beschermde elektrische apparatuur.
- De ladder moet op de poten rusten en niet op de sporten.
- De ladder mag niet op een gladde ondergrond worden geplaatst (bijv. gepolijste of aanzienlijk verontreinigde vlakken, tenzij er de nodige maatregelen zijn genomen om het wegglijden van de ladder te voorkomen of nadat de ondergrond goed is schoongemaakt.

Gebruik

- De ladder mag met maximaal 150 kg worden belast.
- De ladder mag niet worden gebruikt met onregelmatige sporthoogte.
- Sta nooit op de drie bovenste sporten van een steekladder.
- De ladder mag niet hangend worden gebruikt.
- De ladder mag niet ondersteboven worden uitgeschoven, ingeschoven of gebruikt.
- De ladder mag niet in horizontale stand of liggend als brug worden gebruikt. In noodgevallen kan de ladder als baar worden

gebruikt, mits de lengte niet langer is dan 2 meter.

- Gebruik de ladder niet bij vieze werkzaamheden of in vieze omgevingen. Als de ladder bijvoorbeeld wordt gebruikt bij metselen, betonwerk of schilderwerk kan het in de loop der tijd lastig zijn om de ladder schoon te maken, waardoor de werking van de telescoopfunctie nadelig zal worden beïnvloed.
- Gebruik de ladder niet in putten vol water, aangezien dit ertoe leidt dat er vuil in de telescoopbuizen komt, hetgeen de werking van de ladder nadelig zal beïnvloeden.
- Stel de telescoopbuizen niet bloot aan stoten of andere ruwe behandeling. Beschadigingen aan de buizen zijn van nadelige invloed op de telescoopfunctie.
- De trekringen mogen onder geen voorwaarde worden samengekoppeld.
- Strek u zich niet te ver in zijwaartse richting. De gesp van de broekriem (navel) dient tijdens het werken altijd binnen de zijkanalen van de ladder te blijven met beide voeten op dezelfde sport.
- Stap nooit van een steekladder op hogere hoogte zonder extra beveiliging, zoals het vastbinden van de ladder of d.m.v. een andere oplossing om de positie van de ladder te stabiliseren.
- Ladders dienen alleen voor licht werk gedurende korte tijd worden gebruikt.
- Voor elektrisch werk moet een niet geleidende ladder worden gebruikt.
- Gebruik de ladder niet buitenshuis tijdens slecht weer, bijv. harde wind.
- Zie erop toe dat kinderen niet met de ladder spelen.
- Indien mogelijk, vergrendel deuren (niet de nooduitgangen) en ramen op de werkplek.
- Beklim de ladder en ga naar beneden met het gezicht richting ladder.
- Houd u tijdens naar boven en beneden klimmen goed aan de ladder vast.
- Gebruik geschikt schoeisel wanneer u de ladder gebruikt.
- Vermijd werk met te grote zijwaarts uitgeoefende belasting, bijv. boren in muren of beton.
- Sta niet gedurende lange periodes op een ladder zonder regelmatig pauze te nemen (vermoeidheid vormt een risico).

- Een opsteekladder die wordt gebruikt om een hoger liggend niveau te bereiken, dient minstens 1 meter boven de afstap uit te steken.
- Gebruik alleen lichte en gemakkelijk te hanteren uitrusting tijdens werkzaamheden op de ladder.
- Houd u vast met één hand tijdens werkzaamheden op de ladder, of neem andere maatregelen indien u hier niet toe in staat bent.

Verzorging en onderhoud

Uw Telescooppladder is een precisiegereedschap. Behandel de ladder zorgvuldig zodat hij zijn unieke eigenschappen behoudt.

Hou de ladder altijd schoon, in het bijzonder de telescopische buizen.

U mag de Telescooppladder niet gebruiken zonder rubberen voeten (weggljbeveiliging) en de afdichtdoppen. De afdichtdoppen van de ladder voorkomen dat stof, boorgruis en dergelijke in de telescoopbuizen terecht komt, hetgeen de werking van de ladder nadelig zal beïnvloeden. De rubberen voeten en doppen van de ladder zijn slijtagdelen, die door de dealer op voorraad worden gehouden. Vervang de beschermingen wanneer ze versleten beginnen te raken.

De trekringen mogen onder geen voorwaarde door een ander type trekkingen worden vervangen. Uit veiligheidsoverwegingen mogen alleen originele onderdelen worden gebruikt. Raadpleeg de wederverkoper indien de trekkingen moeten worden vervangen.

De Telescooppladder moet worden gerepareerd door een erkende reparateur. Indien de Telescooppladder moet worden gerepareerd, dient deze niet te worden gebruikt, raadpleeg uw wederverkoper.

N.B.! Indien de instructiesticker versleten is en niet duidelijk leesbaar, dient u een nieuwe te bestellen. Zie het adres aan de achterzijde van de gebruiksaanwijzing of neem contact op met de wederverkoper.

Controleer voor gebruik:

- of de telescoopbuizen soms zijn verbogen, verdraaid, gedeukt, gebarsten of aangetast
- of de telescoopbuizen bij de aansluitingen heel zijn
- of er soms bevestigingsonderdelen (klinknagels, bouten etc.) ontbreken, loszitten of zijn aangetast
- of er soms sporten ontbreken, loszitten, zijn versleten, aangetast of beschadigd
- of er soms rubberen voetjes, afdichtdoppen ontbreken, loszitten, zijn versleten, aangetast of beschadigd
- of de hele ladder ladder schoon is (geen vuil, modder, verf, olie of vet)
- of er soms beschadigde of aangetaste vergrendelingen zijn en of ze naar behoren functioneren.

Waarschuwing! Indien u één van bovenstaande gebreken ontdekt, de ladder niet gebruiken.

GEBRUIKSAANWIJZING

GARANTIEVOORWAARDEN

De fabrikant waarborgt dat dit product vrij is van materiaal- en fabricagefouten. In geval van materiaal- of fabricagefouten, of schade ontstaan door materiaal- of fabricagefouten, heeft de koper het recht om het product te laten repareren of te laten vervangen volgens de geldende wetgeving aangaande verkoop van consumentenproducten in het land waar het product is gekocht.

Uitgebreide garantieomvang

De fabrikant is aansprakelijk voor defecten aan het product die zich tonen gedurende één jaar vanaf de oorspronkelijke inkoopdatum.

Omvang

De fabrikant is niet verantwoordelijk voor fouten aan het product als aannemelijk kan worden gemaakt dat de fout zich voordoet omdat het

- niet is gebruikt op de manier zoals beschreven in de gebruiksaanwijzing
 - niet is schoongemaakt, onderhouden, bewaard of getransporteerd volgens de gebruiksaanwijzingen
 - is gemodificeerd, gewijzigd of blootgesteld aan andere externe beschadiging of ongevallen
 - per ongeluk is beschadigd door andere voorwerpen of stoffen
 - is overbelast
 - is gerepareerd door een niet erkende servicepartner, of niet de originele reserveonderdelen zijn gebruikt
 - onjuist is gemonteerd.
- Geen fouten zijn
- normale slijtage
 - normaal verbruik van slijtgedelen.

Reclamatie

De garantie is alleen geldig met het originele betalingsbewijs. De koper dient de verkooporganisatie binnen redelijke tijd nadat de fout is ontdekt, of binnen de tijd die de landelijke bepalingen met zich meevoeren, mede te delen dat hij/zij het product wil reclameren.

Service en reparatie

Eventuele service of reparatie moet altijd worden uitgevoerd door een erkende servicewerkplaats, die in ieder afzonderlijk geval beoordeelt wat de geschikte maatregelen zijn. Voor reparaties moeten altijd originele reserveonderdelen worden gebruikt. Raadpleeg uw verkoper voor meer informatie over de dichtstbijzijnde servicewerkplaats, of zie het adres aan achterzijde van de gebruiksaanwijzing.

Teleskopstigen er en teleskopisk stige som gjennom sin unike konstruksjon kan ekspanderes fra et kompakt format til full lengde eller til en mellomlengde.

For å beholde stigens egenskaper og funksjon må du bruke og vedlikeholde den slik det beskrives i bruksanvisningen.

ADVARSEL! Teleskopstigen må alltid være ordentlig låst når den brukes! Du må alltid kontrollere at alle åpne stigeseksjoner er låste før du klatrer opp i stigen. Kontroller spesielt låsebøylene med trekkringer.

A Åpne stigen til full lengde

Teleskopstigen låses automatisk når du åpner den. Hver seksjon har egen lås. Åpne teleskopstigen til full lengde:

1. Plasser stigen loddrett på et horisontalt og hardt underlag. Hold stigen nede med en fot på det nederste stigertrinnet. **Begynn å åpne stigen ovenifra:** Ta tak i det øverste stigertrinnet og dra opp til stigeseksjonen låses.
2. Åpne så neste stigeseksjon. Kontroller at låsebøylene faller ned i 60° vinkel.
3. Fortsett å åpne stigeseksjonene til stigen er dratt helt ut i full lengde. Stigeseksjonene låses automatisk etter hvert.
4. **Kontroller at alle stigeseksjonene er låste:** låsebøylene skal ha falt ned i 60° vinkel. Det nest nederste stigertrinnet har låsebøyer med trekkringer. De er låste når de er **innfelte** i stigertrinnet. Kun trekkringene skal synes under stigertrinnet når stigen er låst. Dersom det er behov for det, rykk i stigen slik at alle stigeseksjonene går i lås.
5. Når du har kontrollert at alle stigeseksjonene er låste kan du bruke stigen. Plasser stigen støtt, med en vinkel på 75°.

ADVARSEL! Stigen skal settes mot en slett og fast overflate og sikres før bruk, f.eks. ved å bindes fast eller stabiliseres ved hjelp av en passende anordning.

BRUKSANVISNING

B Åpne stigen til mellomlengde

Åpne teleskopstigen til valgfri mellomlengde:

6. Plasser teleskopstigen loddrett på et horisontalt og hardt underlag. Hold stigen nede med en fot på det nederste stigertrinnet. Ta tak i det stigertrinnet som skal utgjøre det øverste og dra seksjonen helt ut.
7. Fortsett å åpne stigen til samtlige seksjoner **nedenfor** er trukket ut, slik at de seksjonene som ikke brukes ligger samlet øverst på stigen. Kontroller at låsebøylene faller ned i 60° vinkel.
8. **Kontroller at alle åpne stigeseksjoner er låste:** låsebøylene skal ha falt ned i 60° vinkel. Det nest nederste stigertrinnet har låsebøyer med trekkringer. De er låste når de er **innfelte** i stigertrinnet. Kun trekkringene skal synes under stigertrinnet når stigen er låst. Dersom det er behov for det, rykk i stigen slik at alle stigeseksjonene går i lås.
9. Når du har kontrollert at alle åpne stigeseksjoner er låste kan du bruke stigen. Plasser stigen støtt, med en vinkel på 75°.

OBS! Du kan ikke forkorte en allerede åpent stige. Dersom du behøver å gjøre stigen kortere må du først lukke stigen helt, og så åpne den til valgfri mellomlengde.

C Lukke stigen

Lukk teleskopstigen slik:

10. Gjør ren stigen dersom det trengs (se nedenfor).
11. Hold stigen loddrett på et slikt vis at du **ikke klemmer deg** når du låser opp og lukker stigen. Hold i teleskoprøret et stykke opp på stigen, så får du bedre balanse.
12. Dra ned trekkringene med den andre hånden, én om gangen, slik at låsemekanismen løses ut og du kan lukke stigen. (Noen ganger må du dra ned den første trekkringen en gang til).
13. Hold i stigens teleskoprør et stykke opp på stigen og skyv den **k kontrollert** sammen med begge hendene.

ADVARSEL KLEMMEFARE! Ikke hold hendene på eller mellom stigertrinnene når du låser opp og lukker stigen. Lukk hver stigeseksjon kontrollert.

NO

BRUKSANVISNING

D Rengjøring

Av sikkerhets- og funksjonsgrunner skal teleskopstigen alltid holdes ren, spesielt teleskoprørene og stigetrinnene. Smuss, spon, malingsflekker, lim og annet må vaskes eller tørkes bort etter hvert bruk før du lukker stigen. Gjør ren stigen med en klut med litt løsemiddel. Etter rengjøring kan teleskoprørene behandles med silikonspray. Spray rørene og tørk av med papir eller klut. Stigen skal alltid være tørr slik at det ikke fester seg støv.

E Transport og oppbevaring

Bær teleskopstigen i kompakt format og loddrett slik at stigen ikke faller ut og åpnes.

Transporter alltid teleskopstigen helt lukket i kompakt format. Slik beskyttes teleskoprørene mot støt og skader som kan nedsette stigen funksjon. Fest stigen ordentlig ved transport på takstativ eller i lastebil, slik at den ikke skades.

Teleskopstigen skal oppbevares

- helt lukket i kompakt format
- under forhold som ikke sliter på den (f.eks. fukt, varme, ved element)
- slik at den ikke kan ødelegges av kjøretøy, tunge gjenstander eller tilskitning
- der den ikke er i veien eller utgjør snubelfare
- slik at den ikke enkelt kan brukes til kriminelle formål, gjerne fastlåst
- sikret mot utilsiktet bruk (f.eks. av barn) dersom den er reist permanent (f.eks. ved en bygningsstilling).

NO Før bruk

- Stigens eiere skal sørge for at brukeren har tilgang til håndboken.
- Før første bruk etter levering bør du kontrollere at stigen er i god stand og at alle delene fungerer.
- Helsetilstanden din skal tilsi at du kan bruke stigen. Visse helsetilstander og medisiner, alkohol- eller narkotikamisbruk kan medføre sikkerhetsrisiko.
- Før sikker bruk av stigen skal den inspiseres hver arbeidsdag den skal brukes for å kontrollere at den ikke er skadet, se "Skjøtsel og vedlikehold" nedenfor.
- Dersom stigen brukes profesjonelt skal den inspiseres regelmessig.

- Kontroller at stigen passer til det aktuelle arbeidet.
- Ikke bruk stigen dersom den er skadet.
- Fjern smuss som våt maling, leire, olje og snø.
- Før stigen brukes i arbeid skal det gjøres en risikoanalyse, og det skal tas hensyn til bestemmelsene i landet den brukes i.
- Stigen skal kun brukes og oppbevares i temperaturer mellom -20°C till 60°C.

Plassering

- Kontroller at stigen er ordentlig låst før du bruker den.
- Stigen skal plasseres korrekt, med en vinkel på 75° i forhold til underlaget og med stigetrinnene horisontale.
- Stigen skal stå stødig på et jevnt, horisontalt og fast underlag. Stigen skal ikke helle til siden, ha en fot ubelastet eller stilles opp på glatt underlag.
- Stigen skal settes mot en slett og fast overflate og sikres før bruk, f.eks. ved å bindes fast eller stabiliseres ved hjelp av en passende anordning. Sørg for at stigen hviler på rørene når du setter den opp, ikke på stigetrinnene.
- Stigen skal ikke flyttes til en ny posisjon ovenifra.
- Ta hensyn til risikoen for at f.eks. fotgjengere, biler eller dører kan komme borti stigen.
- Identifiser alle elrisikoer på arbeidsplassen, som luftledninger og annet ubeskyttet elutstyr.
- Stigen må settes opp på føttene, ikke på stigetrinnene.
- Stigen skal ikke settes opp på glatt underlag (f.eks. is, blanke overflater eller svært skitne overflater), dersom det ikke er gjort tiltak for at stigen ikke skal skli eller underlaget er ordentlig rengjort.

Bruk

- Stigen kan belastes med maksimalt 150 kg.
- Stigen skal ikke brukes med uregelmessig stige høyde.
- Ikke stå på de tre øverste stigetrinnene på en oppsatt stige.
- Stigen skal ikke brukes hengende.
- Stigen skal ikke åpnes, lukkes eller brukes opp ned.
- Stigen skal ikke brukes horisontalt eller som bro. I en nødssituasjon kan stigen brukes som bære dersom lengden ikke er over to meter.

- Ikke bruk stigen til skittent arbeid eller i skitne miljøer. Dersom stigen brukes til f.eks. muring, betongarbeid eller maling kan den med tiden bli vanskelig å gjøre ren, og teleskopfunksjonen blir dårligere.
- Ikke bruk stigen i vannfylte brønner, det kan føre til at smuss trenger inn i teleskoprørene og nedsetter funksjonen.
- Ikke utsett teleskoprørene for slag eller annen hard behandling. Skader på rørene nedsetter teleskopfunksjonen.
- Trekkringene skal ikke kobles sammen på noe vis.
- Ikke strekk deg for langt ut til siden. Brukerens beltespenne (navle) skal være innenfor stigen sider, og begge føttene skal være på samme stigetrinn under hele arbeidet.
- Ikke kliv av en oppreist stige høyt oppe i stigen uten ekstra sikring, som fastbinding av stigen eller bruk av en annen stabiliserende anordning.
- Stiger skal kun brukes til lettere arbeid over kort tid.
- Ikke bruk ledende stige til elarbeid.
- Ikke bruk stigen utendørs i dårlig vær, f.eks. i sterk vind.
- Se til at ikke barn leker med stigen.
- Lås dører (ikke nødutganger) og vinduer på arbeidsplassen dersom det er mulig.
- Klatre opp og ned på stigen med ansiktet mot stigen.
- Hold deg ordentlig fast i stigen når du klatrer opp og ned.
- Bruk passende sko når du bruker stigen.
- Unngå arbeid med for stor belastning mot siden, f.eks. boring i mur eller betong.
- Ikke stå lengre perioder på en stige uten regelmessige pauser (slitenhet er en risiko).
- Oppreist stige som brukes til å komme opp på et høyere plan skal stå med toppen av stigen minst en meter ovenfor avstigningsstedet.
- Bruk kun lett og letthåndterlig utstyr når du arbeider i stigen.
- Hold deg fast med en hånd når du arbeider i stigen, eller foreta andre sikkerhetstiltak dersom du ikke kan det.

BRUKSANVISNING

Skjøtsel og vedlikehold

Teleskopstigen er et presisjonsverktøy. Behandle stigen varsomt slik at den beholder sine unike egenskaper.

Hold alltid stigen ren, spesielt teleskoprørene.

Teleskopstigen skal ikke brukes uten gummiføtter (glibeskyttelse) og toppbeskyttelse. Toppbeskyttelsen forhindrer at støv, borrespon eller lignende kommer inn i teleskoprørene og nedsetter stigen funksjon. Stigens gummiføtter og toppbeskyttelse er slitedeler som kan skaffes av forhandleren. Bytt beskyttelsene når de begynner å bli slitte.

Trekkringene skal ikke byttes ut med andre typer trekkringer. Av sikkerhetsgrunner skal det kun brukes originaldel. Kontakt forhandleren dersom trekkringene må byttes.

Teleskopstigen skal repareres av kvalifisert reparatør. Ikke bruk teleskopstigen dersom den trenger reparasjon, kontakt forhandleren.

OBS! Bestill nytt anvisningsklistremerke dersom merket på stigen begynner å bli slitt og vanskelig å lese. Se adressen på bruksanvisningens bakside eller kontakt din forhandler.

Kontroller før bruk at

- teleskoprørene ikke er bøyd, vridde, bulkete, sprukne eller korroderte
- teleskoprørene er hele ved koblingene
- beslag (bolter, skruer etc.) ikke mangler, sitter løst eller er korroderte
- stigetrinn ikke mangler, er løse, utslitte, korroderte eller skadet
- gummiføtter og toppbeskyttelse ikke mangler, er løse, utslitte, korroderte eller skadet
- hele stigen er ren (ingen smuss, leire, maling, olje eller fett)
- låseanordninger ikke er skadet eller korroderte og at de fungerer som de skal.

ADVARSEL! Ikke bruk stigen dersom du oppdager feil i henhold til ovenfor.

BRUKSANVISNING

GARANTIVILKÅR

Produsenten garanterer at produktet er fritt for material- og produksjonsfeil. Dersom material- eller produksjonsfeil, eller skade som har oppstått pga. material- eller produksjonsfeil, kan påvises har kjøperen rett på å få produktet reparert eller byttet ut i henhold til lovene om salg av konsumentvarer som gjelder i landet hvor kjøpet ble gjort.

Utvidet garanti

Produsenten tar ansvar for feil på produktet som oppstår under ett år fra den opprinnelige kjøpsdatoen.

Dekning

Produsenten tar ikke ansvar for feil på produktet dersom det er sannsynlig at feilen kommer av at det

- ikke har blitt brukt på det viset som er beskrevet i bruksanvisningen
- ikke er rengjort, vedlikeholdt, oppbevart eller transportert i henhold til bruksanvisningen
- er bygget om, endret eller utsatt for annen ytre skade eller uhell
- har blitt utilsiktet skadet av fremmede gjenstander eller emner
- har blitt overbelastet
- har blitt reparert av ukvalifisert servicepartner eller dersom andre reservedeler enn originaldelene har blitt brukt
- har blitt feil installert.

Som feil betraktes ikke

- normal slitasje
- normalt forbruk av slitedeler.

Reklamasjon

Kjøpskvittering må fremvises for at garantien skal gjelde. Kjøperen skal underrette forhandleren om feil som han/hun vil reklamere innen rimelig tid etter at feilen ble oppdaget, eller innen tidsrommet som gjelder i landet hvor kjøpet ble gjort.

Service og reparasjon

Eventuell service eller reparasjon skal alltid utføres av et autorisert serviceverksted som i hvert tilfelle foretar en vurdering om passende tiltak. Ved reparasjon skal det alltid benyttes originale reservedeler. Kontakt din forhandler for informasjon om hvor ditt nærmeste autoriserte serviceverksted er, eller se adressen på baksiden av bruksanvisningen.

Teleskopova drabina to drabina o teleskopovej budowie, która dzięki owej unikalnej konstrukcji daje się wydłużyć z formatu kompaktowego do pełnej długości lub do długości pośredniej.

W celu zachowania właściwości drabiny i jej prawidłowego działania należy przy jej użytkowaniu i konserwacji stosować się do zaleceń zawartych w niniejszej instrukcji.

OSTRZEŻENIE! Przy korzystaniu z drabiny teleskopowej musi być ona zawsze dobrze zablokowana. Przed wejściem na drabinę zawsze sprawdzaj, czy wszystkie otwarte sekcje drabiny są zablokowane. Zwróć szczególną uwagę na zapadki blokujące z pierścieniami.

A Rozkładanie drabiny do pełnej długości

Po rozłożeniu drabiny teleskopowej następuje jej automatyczne zablokowanie. Każda sekcja wyposażona jest we własną blokadę. Rozkładanie teleskopowej drabiny do pełnej długości:

1. Postaw drabinę pionowo na poziomym, twardym podłożu. Przytrzymaj drabinę stopą opartą o najniższy szczebel. **Zacznij rozkładanie drabiny od góry:** chwyć najwyższy szczebel i pociągnij do góry do zablokowania sekcji drabiny.
2. Następnie rozłóż kolejną sekcję. Sprawdź, czy zapadki blokady opadły pod kątem 60°.
3. Rozkładaj następne sekcje do rozłożenia drabiny na pełną długość. Poszczególne sekcje drabiny ryglują się automatycznie po rozłożeniu.
4. **Sprawdź, czy wszystkie sekcje drabiny są zablokowane:** zapadki blokady powinny opaść pod kątem 60°. W drugim szczeblu od dołu znajdują się dźwignie blokady z pierścieniami do pociągnięcia. W położeniu zablokowanym zapadki są **wpuszczone** w szczebel. Gdy drabina jest zablokowana powinny być widoczne tylko pierścienie pod szczeblem. W razie potrzeby poruszaj drabiną w celu zablokowania wszystkich jej sekcji.
5. Po sprawdzeniu, czy wszystkie sekcje są zablokowane, drabina jest gotowa do użytku. Ustaw drabinę w sposób stabilny pod kątem 75°.

INSTRUKCJA OBSŁUGI

OSTRZEŻENIE! Drabina powinna być oparta o płaską i stabilną powierzchnię i odpowiednio zabezpieczona przed przystąpieniem do użytkowania np. poprzez przymocowanie lub ustabilizowanie za pomocą właściwego osprzętu.

B Rozkładanie drabiny do długości pośredniej

Rozkładanie drabiny do dowolnej długości pośredniej:

6. Postaw teleskopową drabinę pionowo na poziomym, twardym podłożu. Przytrzymaj drabinę stopą opartą o najniższy szczebel. Chwyć szczebel, który znajduje się najwyżej w rozłożonej drabinie i wyciągnij do momentu zablokowania sekcji.
7. Rozkładaj następnie dalej aż wszystkie sekcje poniżej będą wyciągnięte. Te sekcje drabiny, które nie będą używane, znajdują się najwyżej. Sprawdź, czy zapadki blokady opadły pod kątem 60°.
8. **Sprawdź, czy wszystkie otwarte sekcje drabiny są zablokowane:** zapadki blokady powinny opaść pod kątem 60°. W drugim szczeblu od dołu znajdują się zapadki blokady z pierścieniami do pociągnięcia. W położeniu zablokowanym zapadki są **wpuszczone** w szczebel. Gdy drabina jest zablokowana powinny być widoczne tylko pierścienie pod szczeblem. W razie potrzeby poruszaj drabiną w celu zablokowania wszystkich jej sekcji.
9. Po sprawdzeniu, czy wszystkie otwarte sekcje są zablokowane, drabina jest gotowa do użytku. Ustaw drabinę w sposób stabilny pod kątem 75°.

UWAGA! Nie można skrócić już rozłożonej drabiny. Jeśli chcesz, by drabina był krótsza, musisz ją najpierw całkiem złożyć, a następnie rozłożyć do pożądanej długości pośredniej.

NO

PL

C Składanie drabiny

Drabinę należy składać w następujący sposób:

10. Oczyszczyć drabinę, jeśli zachodzi taka potrzeba (patrz niżej).
11. Ustaw drabinę pionowo w taki sposób, by nie przytrzasnąć sobie palców bądź innych części ciała podczas odblokowywania i składania drabiny: chwytaj rurę teleskopową drabiny na nieco większej wysokości, co pozwoli uzyskać lepszą równowagę.
12. Drugą ręką pociągnij do dołu pierścienie – po jednym – tak, by nastąpiło odblokowanie mechanizmu blokady i możliwe było złożenie drabiny (zdarza się, że trzeba ponownie pociągnąć za pierwszy pierścień).
13. Chwyć rurę teleskopową drabiny nieco wyżej i złóż drabinę w **kontrolowany** sposób przy użyciu obydwu rąk.

NIEBEZPIECZEŃSTWO ZMIAŹDZENIA!

Przy odblokowywaniu i składaniu drabiny nie trzymaj dłoni na szczelbu lub między szczelblami. Każdą sekcję zamykaj w sposób kontrolowany.

D Czyszczenie

Ze względu na bezpieczeństwo i prawidłowość działania drabinę teleskopową należy zawsze utrzymywać w czystości – dotyczy to szczególnie rur teleskopowych i szczelbi drabiny. Po każdym użyciu drabiny przed jej zamknięciem należy koniecznie usunąć wszelkie zanieczyszczenia, wióry, pozostałości farby, kleju itp. Drabinę czyści się szmatą z niewielką ilością rozpuszczalnika. Po oczyszczeniu można na rury teleskopowe nanieść sprayem warstwę silikonu. Nanieś warstwę na rurę i wytrzyj papierem lub szmatą. Drabina powinna zawsze być sucha, żeby nie przyczepiał się do niej kurz.

E Transport i przechowywanie

Drabinę należy przenosić w stanie złożonym i w pionie, tak by nie otworzyła się samoczynnie.

Zawsze przenoś drabinę teleskopową w stanie całkowicie złożonym do formatu kompaktowego. Wtedy rury teleskopowe drabiny są chronione przed wstrząsami i uszkodzeniami, które mogłyby wpłynąć na pogorszenie właściwości funkcjonalnych drabiny. Podczas transportu zamocuj drabinę porządnie na bagażniku

dachowym lub w przestrzeni ładunkowej pojazdu ciężarowego, by nie uległa uszkodzeniu.

Drabinę teleskopową należy przechowywać

- całkiem złożoną do formatu kompaktowego
- w warunkach, które nie mają niekorzystnego wpływu (np. wilgoć, wysoka temperatura, bliskość grzejnika c.o.)
- w taki sposób, by nie została uszkodzona przez pojazd, ciężki przedmiot lub zanieczyszczenia
- tak, by nie zagrażała drogi lub nie stanowiła zagrożenia
- tak, by nie mogła zostać użyta w celach przestępczych – najlepiej zabezpieczyć np. kłódką
- w sposób gwarantujący zabezpieczenie przed użyciem przez osoby niepowołane (np. dzieci), gdy drabina jest ustawiona (np. na budowie).

Przed użyciem

- Właściciel drabiny powinien zapewnić jej użytkownikowi dostęp do instrukcji obsługi.
- Przed pierwszym użyciem po dostarczeniu drabiny należy sprawdzić, czy jest w dobrym stanie i czy wszystkie elementy działają prawidłowo.
- Stan zdrowia użytkownika powinien zezwalać na korzystanie z drabiny. Niektóre stany chorobowe, leki, a także nadużywanie alkoholu i środków odurzających mogą stwarzać zagrożenie dla bezpieczeństwa.
- Bezpieczne użytkowanie drabiny wymaga przeprowadzenia każdego dnia roboczego przed jej użyciem przeglądu w celu sprawdzenia, czy nie powstały uszkodzenia – patrz „Konserwacja i pielęgnacja” poniżej.
- Jeśli drabina jest użytkowana w celach zawodowych, przegląd powinien mieć charakter regularny.
- Sprawdź, czy drabina nadaje się do danej pracy.
- Nie korzystaj z uszkodzonej drabiny.
- Usuń zanieczyszczenia w postaci mokrej farby, gliny, oleju, czy śniegu.
- Przed użyciem drabiny należy wykonać analizę zagrożeń; należy przestrzegać przepisów obowiązujących w kraju użytkowania drabiny.
- Drabinę należy użytkować i przechowywać w temperaturze otoczenia od -20 °C do 60 °C.

Ustawienie

- Przed przystąpieniem do użytkowania drabiny sprawdź, czy jest ona właściwie zablokowana.
- Drabinę należy ustawić prawidłowo pod kątem 75° w stosunku do podłoża, szczelble powinny być ułożone poziomo.
- Drabinę należy ustawić na równym, poziomym i stałym podłożu. Drabina nie ma prawa przechylać się na bok, mieć nieobciążoną jedną podstawę lub być ustawiona na śliskim podłożu.
- Drabina powinna być oparta o płaską i stabilną powierzchnię i odpowiednio zabezpieczona przed przystąpieniem do użytkowania np. poprzez przymocowanie lub ustabilizowanie za pomocą właściwego osprzętu. Nie opieraj drabiny o stopnie, tylko o boki drabiny.
- Drabiny nie wolno przemieszczać, znajdując się na niej.
- Należy uwzględnić niebezpieczeństwo wynikające z uderzenia w drabinę przez pieszego, pojazd lub drzwi.
- Konieczne jest zidentyfikowanie wszystkich zagrożeń elektrycznych w miejscu prowadzenia prac – jak przewody, czy niezabezpieczony sprzęt elektryczny.
- Drabina musi stać na podstawach, nie na szczelblach.
- Nie wolno ustawiać drabiny ma śliskiej powierzchni (np. lód, gładka powierzchnia, czy powierzchnia mocno zabrudzona), jeśli nie podjęto środków przeciwdziałających uślizgowi drabiny lub nie wyczyszczono dokładnie podłoża.

Użycie

- Maksymalne obciążenie drabiny wynosi 150 kg.
- Nie wolno użytkować drabiny, jeśli odległości między szczelblami są nieregularne.
- Na opartej drabinie nie wolno stawać na trzech najwyższych stopniach.
- Nie wolno używać drabiny wiszącej.
- Nie wolno rozkładać, składać ani używać drabiny, gdy jest odwrócona o 180° („do góry nogami”).
- Nie wolno używać drabiny w położeniu poziomym lub w charakterze pomostu. W sytuacji awaryjnej można użyć drabiny jako noszy, ale jej długość nie może przekraczać 2 metrów.

- Nie należy używać drabiny do brudnych prac lub prac w zanieczyszczonym miejscu. Używanie drabiny przy murowaniu, pracach betoniarskich, czy malowaniu mogłoby spowodować z czasem trudności z jej wyczyszczeniem i w konsekwencji pogorszenie funkcji teleskopowej.
- Nie używaj drabiny w studniach z wodą – może to spowodować dostanie się zanieczyszczeń do rur teleskopowych, co negatywnie wpłynie na działanie drabiny.
- Nie wolno narażać rur teleskopowych na uderzenia i innego rodzaju gwałtowne czynniki. Uszkodzenie rur wpływa na pogorszenie funkcji teleskopowej.
- Nie wolno w żaden sposób łączyć ze sobą pierścieni do pociągania.
- Nie wychylaj się zbyt mocno w bok. W trakcie pracy klamra paska (pępek) użytkownika musi się cały czas znajdować pomiędzy bokami drabiny, a stopy powinny się znajdować na tym samym szczelblu.
- Nie należy wspinać się na opartą drabinę na dużą wysokość, nie zabezpieczywszy jej uprzednio poprzez zamocowanie lub przy użyciu odpowiedniego osprzętu stabilizującego.
- Drabin używać należy tylko przy lżejszych pracach przez krótki czas.
- Nie używaj drabiny przewodzącej prąd do prac elektrycznych.
- Nie używać drabiny na zewnątrz budynku przy złych warunkach pogodowych – np. silnym wietrze.
- Nie pozwalaj dzieciom bawić się drabiną.
- Zamknij drzwi na klucz (nie dotyczy wyjść awaryjnych) oraz okna w miejscu prowadzenia robót – jeśli jest to możliwe.
- Wchodź na drabinę i schodź z drabiny z twarzą zwróconą do drabiny.
- Przy wchodzeniu na drabinę i schodzeniu z drabiny trzymaj się porządnie drabiny.
- Korzystając z drabiny, używaj odpowiedniego obuwia.
- Unikaj prac wiążących się ze zbyt dużym obciążeniem w kierunku bocznym – np. wiercenia otworów w cegle, kamieniu lub betonie.
- Nie stój zbyt długo na drabinie – rób regularne przerwy (zmęczenie zwiększa ryzyko).

INSTRUKCJA OBSŁUGI

- Oparta drabina służąca do dostania się na wyższy poziom powinna wystawać przynajmniej 1 metr ponad tenże poziom.
- Pracując na drabinie, używaj tylko lekkiego i łatwego w obsłudze sprzętu.
- Gdy pracujesz na drabinie, trzymaj się cały czas jedną ręką, a jeśli nie jest to możliwe, zastosuj odpowiednie środki bezpieczeństwa.

Konserwacja i pielęgnacja

Drabina teleskopowa jest urządzeniem precyzyjnym. Zachowanie wyjątkowych właściwości wymaga ostrożnego obchodzenia się.

Utrzymuj zawsze drabinę w czystości – dotyczy to w szczególności rur teleskopowych.

Drabiny teleskopowej nie wolno używać bez gumowych nakładek (chroniących przed uślizgiem) oraz górnych osłon. Osłony zapobiegają przedostawaniu się kurzu, wiórów itp. do wnętrza teleskopowych rur, co negatywnie wpływa na działanie drabiny. Gumowe nakładki i górne osłony drabiny są elementami ulegającymi zużyciu. Do nabycia u sprzedawcy drabiny. Osłony należy wymienić po pojawieniu się oznak zużycia.

Nie wolno wymieniać pierścieni do pociągania na innego typu. Ze względów bezpieczeństwa należy używać tylko oryginalnych części zamiennych. W razie konieczności wymiany pierścieni do pociągania skontaktuj się z punktem sprzedaży.

Naprawy drabiny może się podjąć tylko wykwalifikowany fachowiec. Nie wolno używać drabiny wymagającej naprawy – skontaktuj się z punktem sprzedaży.

UWAGA! Gdy nalepka informacyjna na drabinie stanie się mało czytelna lub ulegnie zniszczeniu, należy zamówić nową. Patrz adres na ostatniej stronie instrukcji obsługi lub skontaktuj się z miejscowym sprzedawcą.

Przed każdym użyciem drabiny sprawdź, czy

- rury teleskopowe nie są wygięte, przekręcone, nie ma w nich wgnieceń, pęknięć bądź nadzerek
- rury teleskopowe nie są uszkodzone przy łączeniach
- okucia (nity, śruby itp.) nie wypadły, nie są luźne lub nie mają nadzerek
- szczelnie nie wypadły, nie są luźne, zniszczone, uszkodzone lub nie mają nadzerek
- gumowe nakładki i górne osłony nie wypadły, nie są luźne, zniszczone, uszkodzone lub nie mają nadzerek
- cała drabina jest czysta (żadnych zanieczyszczeń, gliny, farby, oleju, smarów)
- blokady nie są uszkodzone lub nie mają nadzerek i działają prawidłowo.

OSTRZEŻENIE! Nie używaj drabiny, jeśli wykryjesz którąkolwiek z powyższych usterek.

WARUNKI GWARANCJI

Producent gwarantuje, że wyrób jest wolny od usterek materiałowych i powstałych w procesie produkcji. W razie wykazania wady materiałowej i fabrycznej lub szkody powstałej na skutek wady materiałowej lub fabrycznej nabywca ma prawo do naprawy wyrobu lub jego wymiany zgodnie z prawodawstwem regulującym sprzedaż towarów konsumpcyjnych w kraju nabycia.

Rozszerzony zakres gwarancji

Producent ponosi odpowiedzialność za wady wyrobu wykryte w ciągu roku od dnia nabycia wyrobu.

Zakres

Producent nie ponosi odpowiedzialności za usterek wyrobu, jeśli istnieje prawdopodobieństwo, iż usterka jest skutkiem tego, że wyrób

- nie był użytkowany w sposób opisany w instrukcji obsługi
 - nie był czyszczony, pielęgnowany, konserwowany, przechowywany lub transportowany zgodnie z instrukcją obsługi
 - został przerobiony, wprowadzono w nim zmiany lub został narażony na inne uszkodzenie zewnętrzne lub zdarzenie o znamionach wypadku
 - nieumyślnie został uszkodzony przez przedmiot obcy
 - został przeciążony
 - był naprawiany przez nieautoryzowany warsztat lub zastosowano nieoryginalne części zamienne
 - został nieprawidłowo zainstalowany
- Za wadę nie uważa się
- normalnego zużycia
 - konieczności wymiany elementów ulegających zużyciu w konsekwencji ich normalnego użytkowania.

INSTRUKCJA OBSŁUGI

Reklamacja

Gwarancja jest ważna tylko po okazaniu dowodu zakupu. Nabywca powinien powiadomić punkt sprzedaży o usterce, jeśli ma ona być przedmiotem reklamacji, w rozsądnym czasie po wykryciu usterki lub w terminie określonym przez prawo w kraju nabycia wyrobu.

Serwis i naprawy

Ewentualny serwis lub naprawa może wykonywać tylko autoryzowany warsztat, który indywidualnie w każdym przypadku dokonuje oceny, jakie czynności należy wykonać. W przypadku naprawy należy używać tylko oryginalnych części zamiennych. W celu uzyskania informacji, gdzie znajduje się najbliższy autoryzowany warsztat, skontaktuj się ze sprzedawcą lub zajrzyj na ostatnią stronę instrukcji obsługi.

INSTRUÇÕES DE UTILIZAÇÃO

A **escada telescópica** é uma escada que graças ao seu desenho único, pode ser expandida de um formato compacto para o seu comprimento total ou um comprimento intermédio.

Para conservar as características e funções, os apoios de topo têm de ser usados, cuidados e mantidos da forma descrita nestas instruções.

AVISO! Durante a utilização, a escada telescópica tem sempre que estar correctamente bloqueada. Verificar sempre se todas as secções abertas estão bloqueadas antes de subir para a escada. Controlar especialmente os ganchos de bloqueio com anel.

A Abrir a escada ao comprimento máximo

Ao abrir, a escada telescópica bloqueia automaticamente. Cada secção tem o seu próprio bloqueio. Abrir a escada ao comprimento máximo:

1. Colocar a escada em pé, sobre uma base sólida e horizontal. Segurar a escada no solo com um pé no degrau inferior. **Começar a abrir a escada por cima:** Segurar no primeiro degrau e puxar para cima até a secção da escada bloquear.
2. Abrir de seguida a secção seguinte. Verificar se os ganchos de bloqueio descem num ângulo de 60°.
3. Continuar a abrir as secções da escada até esta estar totalmente aberta, ou seja, no seu comprimento máximo. As secções vão ficando bloqueadas à medida que vão sendo abertas.
4. **Verificar se todas as secções estão bloqueadas:** os ganchos de bloqueio devem ter descido num ângulo de 60°. O penúltimo degrau inferior tem ganchos de bloqueio com anel. Estes ficam na posição bloqueada se estiverem **dobrados** no degrau. Com a escada bloqueada, apenas os anéis ficam visíveis por baixo do degrau. Se necessário, sacudir a escada para todas as secções bloquearem.
5. Após verificar que todas as secções estão bloqueadas, a escada está pronta a ser usada. Colocar a escada estável com uma inclinação de 75°.

AVISO! Uma escada deve ficar encostada de forma segura a uma superfície plana e rígida antes da utilização, ou prendendo com cintas ou estabilizada com um dispositivo adequado.

B Abrir a escada ao comprimento intermédio

Abrir a escada telescópica a um comprimento intermédio à escolha:

6. Colocar a escada em pé, sobre base sólida e horizontal. Segurar a escada no solo com um pé no degrau inferior. Agarre o degrau que vai ser o superior e puxar para cima até a secção bloquear.
7. Continue depois do mesmo modo até que todas as secções estejam puxadas, com as secções que não forem usadas reunidas na parte de cima. Verificar se os ganchos de bloqueio descem num ângulo de 60°.
8. **Verificar se todas as secções abertas estão bloqueadas:** os ganchos de bloqueio devem ter descido num ângulo de 60°. O penúltimo degrau inferior tem ganchos de bloqueio com anel. Estes ficam na posição bloqueada se estiverem **dobrados** no degrau. Com a escada bloqueada, apenas os anéis ficam visíveis por baixo do degrau. Se necessário, sacudir a escada para todas as secções bloquearem.
9. Depois de verificar que todas as secções abertas estão bloqueadas, a escada está pronta a ser usada. Colocar a escada estável com uma inclinação de 75°.

NOTA! Não é possível encurtar uma escada já aberta. Se for necessário encurtar a escada, fechar totalmente primeiro e depois abrir para o comprimento intermédio desejado.

C Fechar a escada

Recolher a escada telescópica do modo seguinte:

10. Se necessário limpar a escada (ver abaixo).
11. Manter a escada vertical de forma a **não se entalar** ao recolher e fechar a escada: agarrar o tubo telescópico, um pouco acima, para obter melhor equilíbrio.
12. Puxar os anéis para baixo com a outra mão, um de cada vez, para soltar o mecanismo de bloqueio e assim poder fechar a escada. (É

necessário por vezes puxar o primeiro anel mais uma vez).

13. Agarrar os tubos telescópicos da escada um pouco mais acima, e recolher de forma **controlada**, com as duas mãos.

PERIGO DE ESMAGAMENTO! Não colocar as mãos sobre ou entre secções ao desbloquear e recolher a escada. Fechar cada secção de forma controlada.

D Limpeza

Por motivos de segurança e de funcionalidade, os degraus e sobretudo os tubos telescópicos, devem ser mantidos sempre limpos. Depois de cada utilização, deve limpar qualquer sujidade, serradura, salpicos de tinta, cola ou outros antes de fechar a escada. Usar um trapo com algumas gotas de solvente. Após a limpeza, os tubos telescópicos devem ser tratados com spray de silicone. Aplicar o spray nos tubos e secar com papel ou um trapo. A escada deve estar sempre seca para não acumular pó.

E Transporte e armazenagem

Transportar a escada totalmente recolhida e na vertical, para que não caia e se abra.

Transportar sempre a escada totalmente fechada, na sua forma compacta. Desse modo os tubos telescópicos estão protegidos contra pancadas e danos que possam prejudicar o seu funcionamento. Prender bem a escada durante o transporte, no tejadilho ou num camião, para não se danificar.

A escada telescópica deve ser armazenada

- totalmente fechada, no formato compacto
- em condições que não causem desgaste (por exemplo, calor por estar próximo de um aquecedor)
- de forma a não ficar danificada pelo veículo, objectos pesados ou sujidade
- onde não esteja a estorvar ou constitua um risco de alguém tropeçar
- de forma a não que não seja fácil usar de forma criminosa, de preferência fechada à chave
- resguardada de utilização inapropriada (como por crianças) se estiver permanentemente aberta (como em andaimes de construção, por exemplo).

INSTRUÇÕES DE UTILIZAÇÃO

Antes da utilização

- O proprietário da escada deve assegurar que o utilizador tem acesso ao manual.
- Antes da primeira utilização depois da entrega, controlar se a escada está em boas condições e que todas as partes funcionam.
- O seu estado de saúde deve permitir-lhe usar a escada. Certos estados de saúde, medicamentos, álcool ou drogas podem ser um risco de segurança.
- A escada deve ser inspeccionada todos os dias que vai ser utilizada em trabalho para assegurar uma utilização segura e controlar se não há danos, ver "Cuidados e Manutenção" abaixo.
- Inspeccionar a escada regularmente se for usada profissionalmente.
- Verificar se a escada é adequada para o trabalho em questão.
- Não usar escadas danificadas.
- Remover sujidades como tinta fresca, lama, óleo ou neve.
- Deve ser feita uma análise de riscos antes de usar a escada, e agir em conformidade com a legislação local em vigor.
- A escada deve ser usada e armazenada a uma temperatura ambiente entre -20°C a 60°C.

Colocação

- Verificar se a escada está bloqueada de forma adequada antes de a usar.
- A escada deve ser colocada correctamente, com um ângulo de inclinação de 75° em relação ao solo, e com os degraus na horizontal.
- A escada deve estar estável, numa superfície plana, horizontal e rígida. A escada não deve ter inclinação lateral, nem ter nenhum dos pés sem apoio ou estar colocada sobre uma superfície escorregadia.
- Uma escada deve ficar inclinada contra uma superfície plana e rígida, segura antes de usar ou prendendo com cintas ou estabilizada com um dispositivo adequado. Incliná-la contra os tubos, não contra os degraus.
- Não mover a escada para outra posição de cima.
- Ter atenção aos riscos, como peões, automóveis ou portas que possam chocar contra a escada.
- Identificar todos os riscos eléctricos no local de trabalho, como tubos de ar ou outro equipamento eléctrico sem protecção.

INSTRUÇÕES DE UTILIZAÇÃO

- A escada deve ficar colocada sobre os respectivos pés, não nos degraus.
- A escada não deve ficar colocada sobre uma superfície escorregadia (como por exemplo, superfícies escorregadias ou muito sujas) se não forem tomadas medidas para que a escada não escorregue, ou feita uma limpeza ao solo.

Utilização

- A carga máxima da escada é de 150 kg.
- A escada não pode ser usada com espaçamento desigual entre os degraus.
- Não permanecer nos três degraus mais acima numa escada inclinada.
- A escada não pode ser usada suspensa.
- A escada não pode ser aberta, recolhida ou usada de pernas para o ar.
- A escada não deve ser usada na horizontal ou como uma ponte. Em caso de emergência a escada pode ser usada como maca, mas com um comprimento não superior a 2 metros.
- Não usar a escada em trabalhos sujos ou em ambientes contaminados. Se por exemplo a escada for usada em trabalhos de alvenaria, betão armado ou pintura, pode com o passar do tempo ser difícil mantê-la limpa, prejudicando assim o funcionamento telescópico.
- Não usar a escada em poços com água para evitar o risco de mau funcionamento devido à penetração de lama ou sujidade nos tubos telescópicos.
- Não expor os tubos telescópicos a golpes ou tratamentos violentos. Danos nos tubos prejudicam o funcionamento telescópico.
- Os anéis de bloqueio não devem ser ligados de forma alguma.
- Não se incline demais para os lados. Durante o trabalho, a fivela do cinto do utilizador (umbigo) deve permanecer entre os lados da escada e os dois pés no mesmo degrau.
- Não descer de uma altura mais alta de uma escada encostada sem segurança, como fixações ou um mecanismo de estabilização adequado.
- Usar a escada apenas para trabalhos mais leves, durante períodos curtos.
- Não usar escadas não condutoras para trabalhos de electricidade.
- Não usar a escada no exterior se estiver mau tempo, como por exemplo, ventos fortes.

- Assegurar que crianças não brincam com a escada.
- Fechar portas (não as saídas de emergência) e janelas do local de trabalho, se possível.
- Subir e descer com a face virada para a escada.
- Segurar-se muito bem à escada ao subir ou descer.
- Usar sapatos adequados para trabalhar com a escada.
- Evitar trabalhos com cargas laterais demasiado grandes, como perfurações em tijolo ou betão.
- Não permanecer demasiado tempo em cima da escada sem fazer pausas regulares (a fadiga é um risco).
- Escadas inclinadas usadas para aceder a um nível mais alto, devem estar pelo menos 1 metro acima do local de saída.
- Usar apenas equipamentos leves e fáceis de manusear para trabalhar na escada.
- Segurar-se bem com uma mão enquanto está a trabalhar em cima da escada, ou tomar outras medidas de segurança se isso não for possível.

Cuidados e manutenção

A sua escada telescópica é uma ferramenta de precisão. Tratar a escada com cuidado para manter as suas propriedades únicas.

Manter sempre a escada limpa, especialmente os tubos telescópicos.

A escada não deve ser usada sem os pés de borracha (protecção anti-derrapante) e as protecções do topo. As protecções do topo impedem a penetração de pó, aparas ou semelhante nos tubos telescópicos, o que pode prejudicar o bom funcionamento da escada. Os pés de borracha e as protecções do topo são peças de desgaste, mantidas em armazém pelo revendedor. Substituir as protecções assim que começarem a mostrar sinais de desgaste.

Não substituir os anéis de bloqueio por outro tipo diferente. Por uma questão de segurança, usar apenas peças sobressalentes de origem. Contactar o revendedor se for necessário substituir os anéis de bloqueio.

A escada telescópica deve ser reparada apenas por técnicos devidamente qualificados. Não usar uma escada telescópica que necessita de reparações; por favor contactar o revendedor.

NOTA! Se o autocolante de instruções da escada ficar gasto ou ilegível deve encomendar um novo. O endereço encontra-se no verso ou contactar o revendedor local.

Antes de utilizar verificar se

- os tubos telescópicos não estão dobrados, torcidos, amolgados, rachados ou corroídos
- os tubos telescópicos estão intactos nas ligações
- não faltam fixações (rebites, parafusos, etc.), nem estão soltos nem corroídos
- não faltam degraus, nem estão soltos, gastos, corroídos ou danificados
- não faltam pés de borracha nem protecções de topo, nem estão soltos, gastos, corroídos ou danificados
- a escada está toda limpa (sem sujidade, lama, tinta, óleo ou massa)
- os mecanismos de bloqueio não apresentam danos nem corrosão, e funcionam como previsto.

AVISO! Não usar a escada se detectar alguma das falhas acima descritas.

CONDIÇÕES DE GARANTIA

O fabricante garante que o produto não contém defeitos de material ou de fabrico. Se ocorrerem defeitos no material ou fabrico, ou se ficar comprovado que ocorreram danos devido a defeito do material ou do fabrico, o comprador tem o direito de receber o produto devidamente reparado ou trocado, de acordo com a legislação em vigor no país da compra sobre a venda de produtos de consumo.

Âmbito da garantia adicional

O fabricante responsabiliza-se por avarias no produto que ocorram durante um ano, a contar da data de compra original.

Âmbito

O fabricante não é responsável pelo produto se a causa provável da avaria for atribuível a

- uso de forma não descrita nas instruções de utilização
- limpeza, cuidados, manutenção, armazenagem ou transporte não foram efectuados de acordo com o manual de utilização.
- transformação, alteração ou danos físicos causados por agentes externos ou acidentalmente

INSTRUÇÕES DE UTILIZAÇÃO

- danos acidentais por objectos ou substâncias estranhas
 - sobrecarga.
 - reparações efectuadas por pessoal não qualificado ou se foram usadas outras peças que não são de origem
 - montagem incorrecta
- Não são considerados como avaria
- desgaste normal
 - consumo normal de peças de desgaste.

Reclamação

É necessário apresentar o recibo de compra para que a garantia tenha validade. O comprador deve informar o revendedor sobre o defeito que pretende reclamar dentro de um período considerado razoável depois de ter sido detectado o defeito, ou no período regulamentado no país da compra.

Assistência técnica e reparação

Eventual assistência técnica ou reparação deverá sempre ser realizada por oficina autorizada que, em cada caso específico, deverá decidir sobre as medidas mais adequadas. Usar sempre peças sobressalentes de origem para reparações. Contactar o revendedor para obter informações sobre a oficina de assistência técnica mais próxima, ou ver o endereço no verso do manual.

INSTRUCȚIUNI DE UTILIZARE

Scara telescopică este o scară telescopică care, prin construcția sa unică, se poate extinde de la un format compact la lungimea maximă sau la o lungime medie.

Pentru a menține caracteristicile și funcționalitatea scării, trebuie să o folosiți, să o depozitați și să o întrețineți în maniera descrisă în instrucțiunile de utilizare.

AVERTISMENT! Scara telescopică trebuie să fie întotdeauna blocată corespunzător, atunci când se folosește. Controlați întotdeauna dacă toate secțiunile deschise ale scării sunt blocate înainte de a urca pe aceasta. Controlați în special clemele de blocare prevăzute cu inele de tragere.

A Deschiderea scării la lungimea maximă

Scara telescopică se blochează automat când o deschideți. Fiecare secțiune are blocare proprie. Deschideți scara la lungimea maximă:

1. Poziționați scara orizontal, pe o suprafață orizontală și tare. Țineți treapta jos cu un picior, pe treapta cea mai de jos. **Începeți să deschideți scara din partea de sus:** Țineți de treapta cea mai de jos și trageți în sus până când secțiunea scării se blochează.
2. Apoi, deschideți următoarea secțiune. Verificați dacă clemele de blocare cad în unghi de 60°.
3. Continuați să deschideți secțiunile scării până când aceasta este trasă complet, până la lungimea maximă. Secțiunile scării se blochează treptat, în mod automat.
4. **Verificați ca toate secțiunile scării să fie blocate:** clemele de blocare trebuie să cadă în unghi de 60°. Următoarea cea mai de jos treaptă are clemele de blocare prevăzute cu inele de tragere. Acestea sunt blocate când sunt **ascunse** în trepte. Numai inelele de tragere trebuie să rămână la vedere, sub treaptă, când scara este blocată. Dacă este nevoie, mișcați scara pentru ca toate secțiunile ei să ajungă în poziție de blocare.
5. După ce ați verificat dacă toate secțiunile scării sunt blocate, puteți folosi scara. Poziționați scara ferm, cu un unghi de înclinare de 75°.

AVERTISMENT! Scara în repaus se va sprijini de o suprafață plană și stabilă și se va asigura înainte de utilizare, de ex. legându-se strâns sau stabilizându-se cu ajutorul unui dispozitiv potrivit.

B Deschiderea scării la lungimea intermediară

Deschideți scara telescopică la o lungime medie aleasă.

6. Poziționați scara orizontal, pe o suprafață orizontală și tare. Țineți scara cu un picior pe treapta cea mai de jos. Țineți de treapta care va fi în capătul de sus al scării telescopice deschise și trageți în sus, până când secțiunea se blochează.
7. Continuați să deschideți scara până când toate secțiunile acesteia **din partea de jos** sunt extinse și secțiunile care nu se folosesc rămân strânse în partea de sus. Verificați dacă clemele de blocare cad în unghi de 60°.
8. **Verificați dacă toate secțiunile deschise ale scării sunt blocate:** clemele de blocare trebuie să cadă în unghi de 60°. Următoarea cea mai de jos treaptă are clemele de blocare prevăzute cu inele de tragere. Acestea sunt în poziție de blocare când sunt **ascunse** în trepte. Numai inelele de tragere se vor vedea sub treaptă, când scara este blocată. Dacă este nevoie, mișcați scara, pentru ca toate secțiunile ei să ajungă în poziție de blocare.
9. După ce ați verificat dacă toate secțiunile deschise ale scării sunt blocate, puteți folosi scara. Poziționați scara ferm, cu un unghi de înclinare de 75°.

OBSERVAȚIE Nu puteți scurta o scară deja deschisă. Dacă trebuie să scurtați scara, mai întâi trebuie să o închideți complet și, apoi, să o deschideți până la o lungime oarecare.

C Închiderea scării

Închideți scara astfel:

10. Curățați scara dacă este nevoie (vezi mai jos).
11. Țineți scara în poziție orizontală astfel încât să **nu vă agățați de aceasta** când o deblocați și o închideți. Țineți de tubul telescopic puțin mai sus pe scară, pentru un echilibru mai bun.
12. Trageți în jos inelele de tragere cu cealaltă mână, câte unul ăe rând, pentru ca mecanismul de blocare să slăbească și să puteți închide scara. (uneori, trebuie să trageți încă o dată de primul inel de tragere).
13. Țineți de tubul telescopic puțin mai sus pe scară și apucați-l în mod **controlat** cu ambele mâini.

AVERTISMENT - RISC DE AGĂȚARE! Nu țineți mâinile pe sau între trepte, când blocați și închideți scara. Închideți fiecare secțiune a scării în mod controlat.

D Curățarea

Din motive de securitate și funcționare, scara telescopică se va păstra mereu curată, în special tuburile telescopice și treptele. Murdăria, așchiile, petele de vopsea și altele trebuie spălate sau îndepărtate după fiecare folosire, înainte de a închide scara. Curățați scara cu o cârpă și puțină soluție de detergent. După curățare, tuburile telescopice se pot trata cu un spray cu silicon. Spreiați tuburile și ștegeți –le cu o hârtie sau o cârpă. Scara va fi întotdeauna uscată pentru a nu prinde praf.

E Transport și depozitare

Transportați scara telescopică în format compact și în poziție orizontală pentru ca aceasta să nu cadă sau să se deschidă.

Transportați întotdeauna scara telescopică complet închisă, în format compact. Apoi, tuburile telescopice se asigură împotriva șocurilor și a deteriorărilor care pot înrăutăți funcționarea scării. Fixați scara în mod adecvat în timpul transportului, pe capotă sau în portbagaj, pentru a nu se deteriora

Scara telescopică se va asigura

- închisă complet, în format compact
- în condiții care să nu o supună abraziunii (de ex. umiditate, căldură excesivă, intemperii)
- astfel încât să nu fie deteriorată de mașină, de obiecte grele sau impurități

INSTRUCȚIUNI DE UTILIZARE

- acolo unde nu este în drum sau unde nu constituie un risc de împiedicare
- astfel încât să nu se poată folosi, pur și simplu, în scopuri infracționale, blocată definitiv, în mod voluntar.
- asigurată împotriva folosirii inadecvate (de exemplu, de către copii) dacă este permanent transportată (de ex. pe șantier).

Înainte de utilizare

- Proprietarul scării se va asigura ca utilizatorul să aibă acces la manualul de instrucțiuni al acesteia.
- Înainte de prima utilizare, după livrare, trebuie să verificați dacă scara este în bună condiție și dacă toate componentele ei funcționează.
- Starea sănătății dvs să vă permită folosirea scării. Anumite stări de sănătate, medicamente, alcoolul sau drogurile pot constitui riscuri împotriva sănătății.
- Pentru o utilizare în siguranță a scării, aceasta se va verifica în fiecare zi de lucru în care se va utiliza, pentru a controla că nu se produce nicio deteriorare, vezi „Depozitare și întreținere”, mai jos.
- Dacă scara se folosește în mediu profesional, aceasta se va inspecta regulat.
- Verificați dacă scara se potrivește cu activitatea actuală.
- Nu folosiți o scară defectă.
- Îndepărtați murdăria precum: vopseaua neuscată, noroiul, uleiul și zăpada.
- Înainte de folosirea scării în muncă, se va efectua o analiză a riscurilor și se va lua cunoștință de prevederile legale ale țării în care se folosește.
- Scara trebuie folosită și depozitată la o temperatura ambientală de -20°C până la 60°C.

Plasare

- Verificați dacă scara este blocată corespunzător înainte de a o folosi.
- Scara se va plasa corect, într-un unghi de înclinare de 75° relativ cu solul și cu treptele în poziție orizontală.
- Scara va sta constant pe o suprafață nivelată, orizontală și stabilă. Scara nu trebuie să se sprijine în lateral, să aibă un picior nesprijinit sau să se situeze pe o suprafață denivelată.
- Scara în repaus se va sprijini de o suprafață nivelată și stabilă și se va asigura înainte

INSTRUCȚIUNI DE UTILIZARE

- de utilizare, de ex. legându-se strâns sau stabilizându-se cu ajutorul unui dispozitiv potrivit. Nu sprijiniți scara de trepte, ci de tuburi.
- Scara nu trebuie mutată în poziție nouă de deasupra.
- Atenție la riscuri precum, de ex., pietonii, mașinile sau ușile, care se pot lovi de scară.
- Identificați toate riscurile electrice de la locul de muncă, precum cablurile suspendate și alte echipamente electrice neasigurate.
- Scara trebuie să se sprijine pe propriile picioare, nu pe trepte.
- Scara nu trebuie să se sprijine pe o suprafață alunecoasă (de ex., o suprafață lucioasă sau una foarte murdară de noroi), dacă nu se iau măsuri ca scara să nu alunece sau dacă suprafața nu este curățată corespunzător.

Utilizare

- Scara nu trebuie încărcată cu o greutate mai mare de 150 kg.
- Scara nu trebuie folosită la o înălțime neregulată.
- Nu vă așezați pe cea de-a treia cea mai înaltă treaptă, pe o scară în repaus.
- Scara nu trebuie folosită suspendată.
- Scara nu se va deschide, închide sau folosi îndreptată cu susul în jos.
- Scara nu trebuie folosită în poziție orizontală sau ca un pod. În situație de urgență, scara se poate folosi ca targă, dacă lungimea ei nu depășește 2 metri.
- Nu folosiți scara în activități care presupun murdărirea sau în medii de lucru murdare. Dacă se va folosi scara, de exemplu, la zidărie, betonare sau zugrăvire, aceasta se poate curăța greu, cu timpul, iar funcționarea telescoapelor se poate înrăutăți.
- Nu folosiți scara în puțuri pline de apă, aceasta poate face ca murdăria să se adune în tuburile telescopice și poate determina deteriorarea funcționării.
- Nu expuneți scara telescopică la lovituri și nu o manevrați fără grijă. Deteriorarea tijelor poate afecta funcționarea.
- Inelele de tragere nu trebuie cuplate împreună, în vreun fel.
- Nu vă întindeți prea mult în lateral. Centrul de greutate al utilizatorului va fi în cadrul scării și ambele picioare pe aceeași treaptă, pe toată durata activității.

- Nu pășiți de pe o scară în repaus la o înălțime mai mare, fără o asigurare prealabilă, precum fixarea scării sau folosirea unui mijloc potrivit de stabilizare.
- Scările se vor folosi numai la activități mai ușoare, pentru o durată scurtă de timp.
- Nu folosiți scări cu proprietăți conductoare în munca cu echipamente electrice.
- Nu folosiți scara în afara casei pe vreme rea, de ex. în vânt puternic.
- Aveți grijă să nu se joace copiii cu scara.
- Blocați ușile (nu și ieșirile de urgență) și ferestrele de la locul de muncă, dacă se poate.
- Urcați în sus și în jos pe scară, cu fața îndreptată spre aceasta.
- Țineți-vă bine de scară când urcați pe și când coborâți de pe aceasta.
- Folosiți încălțăminte adecvată când folosiți scara.
- Evitați munca cu încărcături mari într-o parte, ca de ex. găurirea pereților sau a betonului.
- Nu stați pe scară perioade lungi fără a lua o pauză, în mod regulat (oboseala este un risc).
- Scara în repaus care se folosește la urcarea pe un nivel mai înalt va sta cu cel puțin 1 metru deasupra locului de destinație.
- Folosiți numai echipamente ușoare și ușor de manevrat, când lucrați pe scară.
- Țineți-vă bine cu o mână când lucrați pe scară sau luați alte măsuri de securitate, dacă nu vă puteți ține.

Depozitare și întreținere

Scara telescopică este un instrument de precizie. Manevrați scara cu grijă, pentru ca aceasta să-și păstreze proprietățile unice.

Păstrați scara curată întotdeauna, în special tuburile telescopice.

Scara telescopică nu trebuie folosită fără picioarele din cauciuc (antialunecare) și fără capacul de protecție din partea superioară. Capacul de protecție din partea superioară împiedică praful, resturile provenite în urma găurilor sau alte resturi asemănătoare să pătrundă în tuburile telescopice și să afecteze funcționarea scării. Picioarele de cauciuc și dispozitivul de protecție superioară sunt detalii comerciale care se furnizează de către distribuitor. Scoateți dispozitivul de protecție când se murdărește.

Inelele de tragere nu trebuie schimbate cu alt tip de inele. Din motive de securitate, se vor

folosi numai inelele de tragere originale. Contactați distribuitorul dacă inelele de tragere trebuie schimbate.

Scara telescopică se va repara de către un agent calificat. Nu folosiți scara telescopică dacă trebuie reparată, contactați agentul de vânzări.

OBSERVAȚIE Comandați o etichetă nouă dacă eticheta de pe scară se murdărește și devine ilizibilă. Vedeți adresa de pe verso a instrucțiunilor de utilizare sau contactați distribuitorul local.

Verificați, înainte de utilizare, dacă

- tuburile telescopice sunt îndoite, inversate, zimțate, rupte sau corodate
- tuburile telescopice au conexiunile intacte
- articolele din fier (nituri, șuruburi, etc) nu lipsesc, nu sunt slăbite sau corodate
- treptele nu lipsesc, nu sunt slăbite, uzate, corodate sau defecte
- picioarele de cauciuc nu lipsesc, nu sunt slăbite, uzate, corodate sau defecte
- scara este curată în întregime (nu are mizerie, noroi, vopsea, ulei sau grăsimi)
- dispozitivele de blocare nu sunt defecte sau corodate și funcționează așa cum trebuie.

AVERTISMENT! Nu folosiți scara dacă descoperiți defecte precum cele mai sus menționate.

CONDIȚII DE GARANȚIE

Producătorul garantează că produsul nu prezintă defecte de fabricație sau ale materialelor. Dacă defectele de fabricație sau ale materialelor, ori defectele care au apărut din cauza defectelor de material sau de fabricație se pot dovedi, cumpărătorul are dreptul de a se repara sau schimba produsul, conform legilor referitoare la comercializarea bunurilor de consum, valabile în țara din care se cumpără.

Extinderea garanției

Producătorul este responsabil de greșelile produselor care apar în termen de mai puțin de un an de la data primei cumpărări.

Durata

Producătorul nu este responsabil de defectele produsului, dacă se poate dovedi că greșeala se datorează faptului că:

- nu a fost utilizat în modul descris în instrucțiunile de utilizare

INSTRUCȚIUNI DE UTILIZARE

- nu a fost curățat, operat, întreținut, depozitat sau transportat conform instrucțiunilor
 - a fost refăcut, modificat sau expus unor deteriorări externe sau unor accidente.
 - a fost deteriorat neintenționat de articole sau materiale străine.
 - a fost supraîncărcat
 - a fost reparat de un partener de servicii neautorizat sau sau s-au folosit alte piese de schimb decât cele originale
 - a fost instalat greșit.
- Nu se consideră greșeli
- uzura normală
 - apariția normală a detaliilor de uzură.

Reclamații

Pentru ca garanția să fie valabilă, trebuie arătată chitanța de achiziționare. Cumpărătorul va informa agentul de vânzări despre greșeala pe care acesta dorește să o reclame în timp util, după ce greșeala a fost descoperită, sau în timpul care a fost prevăzut în țara din care se cumpără.

Service și reparare

Eventualele intervenții de service sau reparații se vor efectua întotdeauna de către un service autorizat care, în fiecare caz în parte, fac subiectul unor măsuri adecvate. La reparare se vor folosi întotdeauna piese de schimb originale. Contactați agentul dvs de vânzări pentru a putea ști unde se află centrul service autorizat cel mai apropiat sau vedeți adresa de pe partea din spate a instrucțiunilor de utilizare.

Телескопическая лестница, это раздвижная лестница, которая благодаря своей уникальной конструкции может раздвигаться из компактного формата на полную длину или в одно из средних положений.

Для сохранения технических характеристик и функциональности лестницы, вы должны использовать, обслуживать и осуществлять за лестницей необходимый уход согласно инструкции.

ПРЕДУПРЕЖДЕНИЕ! Телескопическая лестница всегда должна быть хорошо замкнута при использовании. Всегда проверяйте, чтобы все открытые секции лестницы были замкнуты, прежде, чем будете подниматься по лестнице. Особенно тщательно проверяйте блокирующие скобы с вытяжными кольцами.

A Раздвижение лестницы на полную длину

Телескопическая лестница замыкается автоматически, когда вы её открываете. Для каждой секции лестницы имеется отдельное замыкающее устройство. Раздвиньте лестницу на полную длину:

1. Установите лестницу в вертикальное положение на ровной и твёрдой горизонтальной поверхности. Удерживайте лестницу ногой на нижней перекладине. **Начинайте выдвигать лестницу сверху:** Ухватите верхнюю перекладину лестницы и потяните её вверх, пока секция лестницы не будет зафиксирована.
2. Откройте затем следующую секцию лестницы. Проверьте, чтобы замыкающий скобы опускались под углом в 60°.
3. Продолжайте открывать секции лестницы до тех пор, пока лестница не будет раздвинута на полную длину. Секции лестницы замыкаются потом автоматически.
4. **Проверьте, чтобы все секции лестницы были замкнуты:** замыкающие скобы должны опускаться под углом в 60°. Предпоследняя перекладина лестницы оснащена блокирующими скобами с вытяжными кольцами. Они заблокированы, когда находятся **внутри** в перекладине лестницы. В заблокированном положении лестницы, под перекладиной должны быть

видны только вытяжные кольца. Если это необходимо, встряхните лестницу, чтобы все секции упали в замкнутые положения.

5. После того, как вы убедились в том, что все секции лестницы замкнуты, вы можете её использовать. Установите лестницу устойчиво с наклоном в 75°.

ПРЕДУПРЕЖДЕНИЕ! Лестница должна прилегать к плоской и устойчивой поверхности и перед использованием должна быть также застрахована, например, привязана или закреплена другим методом.

B Раздвижение лестницы в среднее положение

Раздвиньте лестницу в одно из средних положений:

6. Установите телескопическую лестницу в вертикальное положение на ровной и твёрдой горизонтальной поверхности. Удерживайте лестницу ногой на нижней перекладине. Ухватите перекладину, которая будет самой верхней на раздвинутой лестнице и потяните её вверх, пока все секции лестницы не будут зафиксированы.
7. Продолжайте раздвигать лестницу до тех пор, пока не будут выдвинуты все нижние секции, и пока неиспользуемые секции не будут собраны вверх. Проверьте, чтобы замыкающий скобы опускались под углом в 60°.
8. **Проверьте, чтобы все открытые секции лестницы были замкнуты:** замыкающие скобы должны опускаться под углом в 60°. Предпоследняя перекладина лестницы оснащена блокирующими скобами с вытяжными кольцами. Они заблокированы, когда находятся **внутри** в перекладине лестницы. В заблокированном положении лестницы, под перекладиной должны быть видны только вытяжные кольца. Если это необходимо, встряхните лестницу, чтобы все секции упали в замкнутые положения.
9. После того, как вы убедились в том, что все выдвинутые секции лестницы замкнуты, вы можете её использовать. Установите лестницу устойчиво под наклоном в 75°.

Внимание! Укоротить уже выдвинутую лестницу невозможно. Если вам необходимо, чтобы лестница была короче, вы должны вначале задвинуть полностью её секции, и потом опять выдвинуть на желаемую длину.

C Складывание лестницы

Телескопическая лестница складывается так:

10. Очистите лестницу, если в этом есть необходимость (см. ниже).
11. Удерживайте лестницу так, чтобы не ущемить себя, когда вы будете открывать или закрывать лестницу: ухватите телескопическую трубку немного выше, чтобы было лучше равновесие.
12. Потяните вниз вытяжные кольца другой рукой, один за другим, чтобы блокирующий механизм освободил, и чтобы можно было сложить лестницу. (иногда необходимо потянуть первое вытяжное кольцо вниз еще раз).
13. Держите телескопическую трубку лестницы немного сверху и задвигайте её двумя руками, **не теряя контроля.**

Риск защемления! Не держите руки на, или между ступенями лестницы, когда вы отмыкаете или запираете лестницу. Складывайте каждую секцию лестницы контролируемо.

D Чистка

В целях безопасности и сохранения функциональности, комбинированная лестница всегда должна сохраняться в чистоте, в особенности раздвижные телескопические трубки и поверхности секции лестницы. Грязь, стружка, краска, клей и всё другое должно быть удалено или вытерто после каждого использования лестницы. Протирайте лестницу тряпочкой с добавлением небольшого количества растворителя. После чистки, телескопические трубки лестницы, возможно, следует обработать силиконовым распылителем: распылите жидкость внутрь трубки и протрите сухой тряпочкой или бумагой. Комбинированная лестница должна быть всегда сухой, чтобы на ней не собиралась пыль.

E Транспортировка и хранение

Переносите лестницу в сложенном виде вертикально, чтобы она не открылась произвольно.

Транспортируйте раздвижную лестницу всегда в сложенном положении в компактном виде. Телескопические трубы тогда будут предохранены от ударов и повреждений, которые могут ухудшить их функционирование. Хорошо закрепите лестницу при транспортировке или в грузовом автомобиле, чтобы она не была повреждена.

Раздвижную лестницу следует хранить

- полностью сложенной
- в защищенном от износа месте (от влаги, жары, около нагревателя)
- чтобы она не была повреждена автомобилем, тяжелыми предметами или загрязнена
- чтобы она находилась на проходах, и чтобы никто о неё не спотыкался
- чтобы она не использовалась в криминальных целях, лучше всего под замком
- застрахованной от нежелательного использования (например детьми) если она постоянно находится в вертикальном положении (например у строительных лесов).

Перед использованием

- Владелец должен убедиться в том, что у пользователя имеется инструкция.
- После первого использования после поставки, проверьте, чтобы лестница была в надлежащем состоянии, и чтобы все её части функционировали.
- Ваше состояние здоровья должно позволять использовать лестницу. В определенном состоянии здоровья, при использовании медицинских препаратов, алкоголя или наркотиков использование лестницы может быть опасным.
- В целях безопасности, лестницу следует ежедневно проверять, чтобы на ней не было никаких повреждений, см. «Уход и обслуживание» ниже.
- Если лестница используется профессионально, её следует регулярно проверять.

ИНСТРУКЦИЯ

- Убедитесь в том, что лестница подходит для конкретной работы.
- Не пользуйтесь поврежденной лестницей.
- Удаляйте с лестницы не высохшую краску, глину, масло и снег.
- Перед использованием лестницы, проверьте её на безопасность, согласно имеющихся в стране предписаний техники безопасности.
- Храните лестницу при температуре от -20°C до 60°C.

Место

- Проверьте, чтобы лестница была хорошо замкнута перед тем, как она будет использована.
- Лестница должна быть правильно установлена под наклоном в 75° к поверхности, и чтобы ступени лестницы были горизонтальными.
- Лестница должна стоять на устойчивой, ровной и горизонтальной поверхности. Лестница не должна стоять под наклоном вбок, или чтобы одна из ножек висела в воздухе, лестница не должна стоять на скользкой поверхности.
- Лестница должна прилегать к плоской и устойчивой поверхности и перед использованием должна быть также застрахована, например, привязана или закреплена другим методом. Лестница должна прислоняться не ступеньками, но трубками.
- Не перемещайте лестницу в другое место, поднимая её сверху.
- Следите за тем, где находятся прохожие, автомобили или двери, чтобы они не натолкнулись на лестницу.
- Локализируйте все возможные места опасного электрического тока, проводку и другое незащищенное электрооборудование.
- Лестница должна стоять на ножках и не на ступенях лестницы.
- Лестница не должна стоять на скользкой поверхности (например, на шлифованной поверхности или на загрязненной поверхности), если не будут предприняты соответствующие меры или лестница не будет хорошо закреплена.

Назначение

- Максимальная нагрузка на лестницу не должна превышать 150 кг.
- Запрещается использовать лестницу с неравномерным расстоянием между перекладинами.
- Не стойте на трёх верхних ступенях лестницы, которая стоит под наклоном к стене.
- Лестница не должна использоваться в подвешенном состоянии.
- Лестница не должна открываться, закрываться или использоваться в перевернутом виде.
- Лестница не должна использоваться в горизонтальном положении или как мост. В экстремальных ситуациях лестница может быть использована в качестве носилок, но её длина не должна превышать двух метров.
- Не используйте комбинированную лестницу в грязных работах или в грязной среде. Если лестница используется, например, в строительных работах на кладке, при работе с бетоном или покраске, её может быть трудно очистить и со временем её функция раздвижения ухудшится.
- Не используйте лестницу в заполненных водой колодцах, так как грязь может попасть в телескопические трубы и затруднит работу лестницы.
- Телескопические трубки не должны подвергаться ударам или другому жесткому обращению. Повреждения трубки ухудшают её телескопические свойства.
- Вытяжные кольца не должны подсоединяться каким-либо другим образом.
- Не вытягивайтесь далеко в сторону, стоя на лестнице. При использовании поясного привязного ремня, он должен быть закреплён внутри боковых сторон лестницы и обе ступни при работе должны постоянно находиться на одной и той же ступеньке лестницы.
- Не сходите с прилегающей к стене лестнице на высоте без дополнительного крепления, например, без привязи лестницы или без соответствующего стабилизирующего приспособления.

- Лестницы должны использоваться только для лёгких работ в течение короткого времени.
- Не используйте раздвижную лестницу для электрических работ.
- Не используйте лестницу снаружи помещения в плохую погоду, например, при сильном ветре.
- Следите за тем, чтобы дети не играли с лестницей.
- По возможности закрывайте двери (не аварийные выходы) и окна на рабочем месте.
- Не поднимайтесь и не опускайтесь по лестнице лицом к лестнице.
- Хорошо держитесь за лестницу, когда вы по ней поднимаетесь или опускаетесь.
- При пользовании лестницей, носите соответствующую обувь.
- Не работайте под большой нагрузкой в сторону, например сверление в стене или в бетоне.
- Не находитесь чрезмерно долгое время на лестнице, время от времени делайте перерывы (усталость сопряжена с риском).
- Конец прилегающей лестницы, используемой для поднимания на следующий этаж, должен находиться не менее, чем на 1 метр выше места, где вы будете сходить с лестницы.
- При работе на лестнице, используйте только лёгкий и лёгкий в обращении инструмент.
- При работе держитесь всегда одной рукой за лестницу, или, если это необходимо, используйте другие методы страховки.

Уход и обслуживание

Ваша раздвижная лестница является инструментом высокой точности. Обращайтесь с лестницей бережно, чтобы она сохраняла свои уникальные характеристики.

Всегда содержите лестницу в чистоте, в особенности телескопические раздвижные трубки.

Раздвижная лестница не должна использоваться без резиновых лапок (противоскольжения) и верхних крышечек. Верхние крышечки лестницы не допускают попадания в трубы пыли, опилок или другого мусора, которые может ухудшить функционирование лестницы. Резиновые лапки лестницы и крышечки изнашиваются и могут

ИНСТРУКЦИЯ

быть приобретены у вашего дилера. Заменяйте защитные приспособления, когда они начинают изнашиваться.

Вытяжные кольца не подлежат замене на кольца другого типа. В целях безопасности, используйте только заводские детали. Обращайтесь к дилеру, когда будет необходимо заменить вытяжные кольца.

Ремонт раздвижной лестницы должен выполняться специалистами. Не используйте раздвижную лестницу, если она подлежит ремонту, обращайтесь к дилеру.

Внимание! Заказывайте новые наклейки, если наклейки на вашей лестнице становятся сильно изношенными. См. адрес на задней странице инструкции, или обращайтесь к вашему дилеру.

Перед использованием проверьте

- чтобы телескопические трубки не были согнуты, скручены, выпуклы, имели трещины или разъедены
- чтобы телескопические трубки были целы на соединениях
- чтобы не отсутствовали крепления (заклёпки, винты и др.) и чтобы они не освободились или не были разъедены
- чтобы не отсутствовали ступени лестницы, чтобы они не были освобождены, изношены, разъедены или повреждены
- чтобы не отсутствовали резиновые лапки и крышечки, чтобы они не были освобождены, изношены, разъедены или повреждены
- чтобы лестница была чистой (чтобы на ней не было грязи, глины, краски, масла или жира)
- чтобы замыкающие приспособления не были повреждены или разъедены, и чтобы они функционировали как должно).

ПРЕДУПРЕЖДЕНИЕ! Не используйте лестницу, если проверив указанное выше, вы найдёте нарушения.

ГАРАНТИЙНЫЕ УСЛОВИЯ

Изготовитель гарантирует отсутствие брака в материале, и брака в изготовлении. Если в материале или конструкции были обнаружены повреждения, по причине плохого качества материала или плохого качества изготовления, и если это может быть доказано, покупатель имеет право на бесплатный ремонт изделия или его замены согласно законам по продаже предметов общего пользования данной страны.

Расширенные гарантийные условия

Изготовитель несёт ответственность за возможные недостатки, которые могли возникнуть в процессе производства в течение одного года со дня продажи.

Охват

Изготовитель не несет ответственности за неисправность, которая очевидно могла возникнуть по одной из следующих причин:

- лестница не использовалась по назначению в инструкции
 - лестница не подвергалась чистке, плохо обслуживалась, не имела соответствующего ухода или не транспортировалась согласно инструкции
 - конструкция лестницы была изменена или повреждена в результате аварии
 - лестница была произвольно повреждена посторонними предметами или веществами
 - лестница подвергалась чрезмерной нагрузке
 - лестница ремонтировалась не специалистом или в ходе ремонта были использованы не заводские запчасти
 - лестница была неправильно установлена.
- Следующее, не рассматривается как неисправность
- обычный износ
 - износ отдельных деталей в процессе эксплуатации

Рекламация

При предъявлении гарантийных претензий покупатель должен предъявить продажный чек. Покупатель должен поставить дилера в известность о неисправности, возмещения которой он требует согласно гарантии в указанное время после того, как будет обнаружена неисправность, или, в течение периода, предписанного покупателю в данной стране.

Обслуживание и ремонт

Возможное обслуживание и ремонт всегда должны выполняться в авторизованной мастерской, которая в каждом отдельном случае выносит определение по соответствующим действиям. При ремонте, всегда должны использоваться заводские детали. Обращайтесь к вашему дилеру, чтобы узнать адрес ближайшей авторизованной мастерской, или найдите адрес на задней странице обложки.

Teleskopstegen är en teleskopisk stegen som genom sin unika konstruktion kan expanderas från ett kompakt format till full längd eller till en mellanlängd.

För att behålla stegens egenskaper och funktion måste du använda, sköta och underhålla den på det sätt som beskrivs i bruksanvisningen.

WARNING! Teleskopstegen måste alltid vara ordentligt låst när den används. Kontrollera alltid att alla öppnade stegsektioner är låsta innan du klättrar upp på stegen. Kontrollera särskilt låsbyglarna med dragringar.

A Öppna stegen till full längd

Teleskopstegen låses automatiskt när du öppnar den. Varje sektion har egen låsning. Öppna teleskopstegen till full längd:

1. Placera stegen upprätt på ett horisontellt och hårt underlag. Håll ner stegen med en fot på den nedersta stegpinnen. **Börja öppna stegen uppifrån:** Ta tag i den översta stegpinnen och dra uppåt tills stegsektionen låses.
2. Öppna sedan nästa stegsektion. Kontrollera att låsbyglarna faller ner i 60° vinkel.
3. Fortsätt öppna stegsektionerna tills stegen är helt utdragen i full längd. Stegsektionerna låses automatiskt efter hand.
4. **Kontrollera att alla stegsektioner är låsta:** låsbyglarna ska ha fallit ner i 60° vinkel. Den näst nedersta stegpinnen har låsbyglar med dragringar. De är i låst läge när de är **infällda** i stegpinnen. Endast dragringarna ska synas under stegpinnen när stegen är låst. Om det behövs, rucka stegen så att alla stegsektioner faller i låst läge.
5. När du har kontrollerat att alla stegsektioner är låsta, kan du använda stegen. Placera stegen stadigt med en lutningsvinkel på 75°.

WARNING! Den anliggande stegen ska lutas mot en slät och fast yta och säkras före användning, t.ex. genom att bindas fast eller stabiliseras med hjälp av en passande anordning.

B Öppna stegen till mellanlängd

Öppna teleskopstegen till valfri mellanlängd:

6. Placera teleskopstegen upprätt på ett horisontellt och hårt underlag. Håll ner stegen med en fot på den nedersta stegpinnen. Ta tag om den stegpinne som ska vara överst på den öppnade teleskopstegen och dra uppåt tills sektionen låses.
7. Fortsätt öppna stegen tills alla stegsektionerna **nedanför** är utdragna, och de stegsektioner som inte används ligger samlade överst. Kontrollera att låsbyglarna faller ner i 60° vinkel.
8. **Kontrollera att alla öppna stegsektioner är låsta:** låsbyglarna ska fallit ner i 60° vinkel. Den näst nedersta stegpinnen har låsbyglar med dragringar. De är i låst läge när de är **infällda** i stegpinnen. Endast dragringarna ska synas under stegpinnen när stegen är låst. Om det behövs, rucka stegen så att alla stegsektioner faller i låst läge.
9. När du har kontrollerat att alla öppnade stegsektioner är i låsta, kan du använda stegen. Placera stegen stadigt med en lutningsvinkel på 75°.

OBS! Du kan inte korta en redan öppnad stegen. Om du behöver göra stegen kortare, måste du först stänga stegen helt och sedan öppna den till valfri mellanlängd.

C Stänga stegen

Stäng teleskopstegen så här:

10. Gör ren stegen om det behövs (se nedan).
11. Håll stegen upprätt på ett sådant sätt att du **inte klämmer dig** när du låser upp och stänger stegen: håll i teleskopröret en bit upp på stegen så får du bättre balans.
12. Dra ner dragringarna med andra handen, en i taget, så att låsmekanismen löser ut och du kan stänga stegen. (Ibland måste du dra ner den första dragringen en gång till).
13. Håll i stegens teleskoprör en bit upp på stegen och skjut ihop den **kontrollerat** med båda händerna.

WARNING KLÄMRISK! Håll inte händer på eller mellan stegpinnarna när du låser upp och stänger stegen. Stäng varje stegsektion kontrollerat.

BRUKSANVISNING

D Rengöring

Av säkerhets- och funktionsskäl ska teleskopstegen alltid hållas ren, i synnerhet teleskoprören och stegpinnarna. Smuts, spån, färgstänk, lim och annat måste tvättas eller torkas bort efter varje användning innan du stänger stegen. Gör ren stegen med en trasa med lite lösningsmedel. Efter rengöring kan teleskoprören behandlas med siliconspray. Spraya rören och torka torrt med papper eller trasa. Stegen skall alltid vara torr för att inte binda damm.

E Transport och förvaring

Bär teleskopstegen i kompakt format och upprätt så att inte stegen faller ut och öppnas.

Transportera alltid teleskopstegen helt stängd i kompakt format. Då skyddas teleskoprören mot stötar och skador som kan försämra stegens funktion. Sätt fast stegen ordentligt vid transport på takracke eller i lastbil så att den inte skadas.

Teleskopstegen ska förvaras

- helt stängd i kompakt format
- i förhållanden som inte sliter på den (t.ex. fukt, hetta, vid element)
- så att den inte kan förstöras av fordon, tunga föremål eller förorening
- där den inte är i vägen eller utgör snubbelrisk
- så att den inte enkelt kan användas i kriminellt syfte, gärna fastlåst
- försäkrad från olämplig användning (t.ex. av barn) om den är rest permanent (t.ex. vid byggnadsställning).

Före användning

- Stegens ägare ska se till användaren har tillgång till handboken.
- Före första användning efter leverans bör du kontrollera att stegen är i gott skick och att alla delar fungerar.
- Ditt hälsotillstånd ska medge att du använder stegen. Vissa hälsotillstånd, mediciner, alkohol- eller drogmissbruk, kan medföra säkerhetsrisk.
- För säker användning av stegen ska den inspekteras varje arbetsdag den ska användas för att kontrollera att ingen åverkan är gjord, se "Skötsel och underhåll" nedan.
- Om stegen används professionellt ska den inspekteras regelbundet.
- Kontrollera att stegen passar aktuellt arbete.
- Använd inte skadade stegen.

- Ta bort smuts som våt färg, lera, olja och snö.
- Innan stegen används i arbete ska en riskanalys göras och bestämmelserna i landet den används beaktas.
- Stegen får användas och förvaras i omgivande lufttemperatur -20°C till 60 °C.

Placering

- Kontrollera att stegen är ordentligt låst innan du använder den.
- Stegen ska placeras korrekt, med en lutningsvinkel på 75° i förhållande till marken och med stegpinnarna horisontella.
- Stegen ska stå stadigt på ett jämnt, horisontellt och fast underlag. Stegen får inte luta i sidled, ha en fot obelastad eller ställas upp på halt underlag.
- Anliggande stegen ska lutas mot en slät och fast yta och säkras före användning, t.ex. genom att bindas fast eller stabiliseras med hjälp av en passande anordning. Luta inte stegen mot stegpinnarna, utan mot rören.
- Stegen får inte flyttas till en ny position ovanifrån.
- Beakta risken att t.ex. fotgängare, bilar eller dörrar rickrar med stegen.
- Identifiera alla elrisker på arbetsplatsen, som luftledning och annan oskyddad elutrustning.
- Stegen måste ställas upp på sina fötter, inte på stegpinnarna.
- Stegen får inte ställas på halt underlag (t.ex. is, blank yta eller betydligt nedsmutsad yta), om inte åtgärder vidtas för att stegen inte ska glida eller att underlaget görs ordentligt rent.

Användning

- Stegen får belastas med maximalt 150 kg.
- Stegen får inte användas med oregelbunden steghöjd.
- Stå inte på de tre översta stegpinnarna på en anliggande stegen.
- Stegen får inte användas hängande.
- Stegen får inte öppnas, stängas eller användas upp och ner.
- Stegen får inte användas i horisontellt läge eller som bro. I en nödsituation kan stegen användas som bår om längden inte är över 2 meter.
- Använd inte stegen vid smutsiga arbeten eller i smutsiga miljöer. Om stegen exempelvis används vid murning, betongarbeten eller

- målning kan den med tiden blir svår att göra ren och teleskopfunktionen försämrars.
- Använd inte stegen i vattenfyllda brunnar, det kan göra att smuts tränger in i teleskoprören och försämrar funktionen.
- Utsätt inte teleskoprören för slag eller annan omedelbar behandling. Skador på rören försämrar teleskopfunktionen.
- Dragringarna får inte kopplas samman på något sätt.
- Sträck dig inte för långt ut åt sidan. Användarens skärpspanne (navel) ska vara innanför stegens sidor och båda fötterna på samma stegpinne hela tiden under arbetet.
- Kliv inte av en anliggande stegen på en högre höjd utan ytterligare säkring, som fastbindning av stegen eller användande av lämplig stabiliserande anordning.
- Stegar ska bara användas till lättare arbete under kort tid.
- Använd icke ledande stegen till elarbeten.
- Använd inte stegen utomhus vid dåligt väder, t.ex. i stark vind.
- Se till att inte barn leker med stegen.
- Lås dörrar (inte nödutgångar) och fönster på arbetsplatsen om det går.
- Klättra upp och ner på stegen med ansiktet mot stegen.
- Håll dig ordentligt fast i stegen när du klättrar upp och ner.
- Använd lämpliga skor när du använder stegen.
- Undvik arbete med för stor belastning åt sidan, t.ex. borming i mur eller betong.
- Stå inte långa perioder på en stegen utan att ta paus regelbundet (trötthet är en risk).
- Anliggande stegen som används till att komma upp till ett högre plan ska stå med minst 1 meter ovanför avstigningsplatsen.
- Använd bara lätt och lätthanterlig utrustning när du arbetar på stegen.
- Håll dig fast med en hand när du arbetar på stegen, eller vidtag andra säkerhetsåtgärder om du inte kan det.

Skötsel och underhåll

Din teleskopstegen är ett precisionsverktyg. Behandla stegen varsamt så att den behåller sina unika egenskaper.

Håll alltid stegen ren, i synnerhet teleskoprören. Teleskopstegen får inte användas utan gummifötter (glidskydd) och toppskydd. Toppskydden förhindrar att damm, borrsån

BRUKSANVISNING

eller liknande kommer in i teleskoprören och försämrar stegens funktion. Stegens gummifötter och toppskydd är försämringsdetaljer som tillhandahålls av återförsäljaren. Byt skydden när de börja bli slitna.

Dragringarna får inte bytas ut mot andra typer av dragringar. Av säkerhetsskäl ska endast originaldelar användas. Kontakta återförsäljaren om dragringarna behöver bytas.

Teleskopstegen ska repareras av kvalificerad reparatör. Använd inte teleskopstegen om den behöver repareras, kontakta återförsäljaren.

OBS! Beställ en ny anvisningsdekal om dekalen på stegen börjar bli sliten och svårsläst. Se adress på bruksanvisningens baksida eller kontakta din lokala återförsäljare.

Kontrollera före användning att

- teleskoprören inte är böjda, vridna, tillbucklade, spruckna eller anfrätta
- teleskoprören är hela vid anslutningar
- beslag (nitar, skruvar etc.) inte saknas, sitter löst eller är anfrätta
- stegpinnar inte saknas, är lösa, utslitna, anfrätta eller skadade
- gummifötter och toppskydd inte saknas, är lösa, utslitna, anfrätta eller skadade
- hela stegen är ren (ingen smuts, lera, färg, olja eller fett)
- låsanordningar inte är skadade eller anfrätta och att de fungerar som de ska.

WARNING! Använd inte stegen om du upptäcker brister enligt ovan.

BRUKSANVISNING

GARANTIVILLKOR

Tillverkaren garanterar att produkten är fri från material- och tillverkningsfel. Om material- eller tillverkningsfel, eller skada som uppstått p.g.a. material- eller tillverkningsfel, kan påvisas, har köparen rätt att få produkten reparerad eller utbytt enligt de lagar om försäljning av konsumentvaror som gäller i landet för inköp.

Utökad garantiomfattning

Tillverkaren ansvarar för fel på produkten som uppstår under ett år från den ursprungliga inköpsdagen.

Omfattning

Tillverkaren ansvarar inte för fel på produkten om det kan göras sannolikt att felet beror på att den

- inte använts på det sätt som beskrivs i bruksanvisningen
 - inte rengjorts, skötts, underhållits, förvarats eller transporterats enligt bruksanvisningen
 - byggts om, ändrats eller utsatts för annan yttre skada eller olyckshändelse
 - oavsiktligt skadats av främmande föremål eller ämnen
 - överbelastats
 - reparerats av obehörig servicepartner eller om andra reservdelar än originaldelar har använts
 - installerats felaktigt.
- Som fel betraktas inte
- normal förslitning
 - normal åtgång av förslitningsdetaljer.

Reklamation

För att garantin ska gälla måste inköpskvittot uppvisas. Köparen ska underrätta återförsäljaren om fel som han/hon vill reklamera inom skälig tid efter det att felet upptäckts, eller inom den tid som föreskrivs i landet för inköp.

Service och reparation

Eventuell service eller reparation ska alltid göras av en auktoriserad serviceverkstad som i varje enskilt fall gör en bedömning om lämplig åtgärd. Vid reparation ska alltid originalreservdelar användas. Kontakta din återförsäljare för att få veta var närmaste auktoriserade serviceverkstad finns, eller se adress på bruksanvisningens baksida.

Teleskopiska lestev je zložljiva lestev, ki jo je zaradi njene edinstvene zasnove mogoče iz kompaktne oblike razširiti na polno ali vmesne dolžine.

Za ohranjanje lastnosti in funkcionalnosti lestev je izredno pomembno, da jo uporabljate, negujete ter vzdržujete skladno z navodili za uporabo.

OPOZORILO! Preden začnete teleskopsko lestev uporabljati, mora biti vedno pravilno zataknjena. Preden stopite na lestev, vedno preverite, ali so iztegnjene prečke lestev trdno zataknjene. Še posebej preverite zapaha z vlečnimi obroči.

A Izvlek lestev do polne dolžine

Teleskopiska lestev se, ko jo izvlečete, samodejno zaskoči. Vsak segment ima svoj blokirni mehanizem. Teleskopsko lestev raztegnete do polne dolžine takole:

1. Lestev postavite pokonci na vodoravno trdno podlago. Lestev stabilizirajte s stopalom na spodnji prečki. **Lestev izvlecite, tako da začnete zgoraj:** Primate za zgornjo prečko in jo potegnite navzgor, dokler se segment ne zaskoči.
2. Potem izvlecite naslednji segment s prečko. Preverite, ali so zapahi obrnjeni navzdol pod kotom 60°.
3. Nadaljujte z izvlekom segmentov, dokler ni lestev iztegnjena do konca. Segmenti se zaporedoma samodejno zaskočijo.
4. **Preverite, ali so zatakneni vsi segmenti s prečkami:** Zapahi morajo pasti navzdol pod kotom 60°. Druga najnižja prečka ima zapaha z vlečnim obročem. V zataknenem položaju sta zapaha **umaknjena** v prečko. Ko je lestev zataknjena, smeta biti pod prečko vidna samo vlečna obroča. Lestev po potrebi malo pretresite, da se vsi segmenti s prečkami zaskočijo v zaklenjenem položaju.
5. Ko preverite, da so vsi segmenti s prečkami zatakneni, lahko začnete uporabljati lestev. Lestev trdno postavite pod kotom 75° na podlago.

OPOZORILO! Lestev naslonite na ravno in trdno površino, pred uporabo pa jo zavarujte, na primer s privezovanjem ali drugim smiselnim načinom stabilizacije.

NAVODILA ZA UPORABO

B Izvlek lestev do vmesne dolžine

Teleskopsko lestev raztegnite do poljubne vmesne dolžine na naslednji način:

6. Teleskopsko lestev postavite pokonci na vodoravno trdno podlago. Lestev stabilizirajte s stopalom na spodnji prečki. Lestev primate za prečko, ki bo pri iztegnjeni teleskopski lestevi najvišja, in jo potegnite navzgor, dokler se segment ne zatakne.
7. Nadaljujte z izvlekom lestev, dokler niso izvlečeni vsi segmenti s prečko in vsi neuporabljeni segmenti s prečko niso zbrani zgoraj. Preverite, ali so zapahi obrnjeni navzdol pod kotom 60°.
8. **Preverite, ali so zatakneni vsi izvlečeni segmenti s prečkami:** Zapahi morajo pasti navzdol pod kotom 60°. Druga najnižja prečka ima zapaha z vlečnim obročem. V zataknenem položaju sta zapaha **umaknjena** v prečko. Ko je lestev zataknjena, smeta biti pod prečko vidna samo vlečna obroča. Lestev po potrebi malo pretresite, da se vsi segmenti s prečkami zaskočijo v zaklenjenem položaju.
9. Ko preverite, ali so zatakneni vsi izvlečeni segmenti s prečkami, lahko začnete lestev uporabljati. Lestev trdno postavite pod kotom 75° na podlago.

POZORI! Že izvlečene lestev ni mogoče skrajšati. Če želite lestev skrajšati, jo morate najprej v celoti zložiti in potem izvleči do zelene vmesne dolžine.

C Zlaganje lestev

Teleskopsko lestev sestavite takole:

10. Lestev po potrebi očistite (glejte spodaj).
11. Lestev držite pokonci tako, da vas pri sprostitvi zapahov in zlaganju ne bo stisnila. V ta namen primate za teleskopski drog v zgornjem delu lestev, da preprečite neravnotežje.
12. Vlečna obroča posamezno zaporedoma potegnite navzdol z drugo roko. S tem sprostite zapaha in lahko zložite lestev. (Včasih je treba prvi potezni obroč še enkrat potegniti navzdol.)
13. Lestev držite za teleskopske droge v zgornjem delu lestev in jo **nadzorovano** zložite z obema rokama.

NAVODILA ZA UPORABO

NEVARNOST STISKA! Pri sprostitvi zapahov in zlaganju lestve dlani ne postavite na ali med prečke. Nadzorovano stisnite vsak segment s prečko.

D Čiščenje

Zaradi varnosti in funkcionalnosti lestve je nujno, da je teleskopska lestev vedno čista, še posebej teleskopski drogovi in segmenti s prečkami. Pred sestavljanjem lestve po vsaki uporabi morate umazanijo, žagovino, nabrizgano barvo, ostanke lepila itd. obrisati ali umiti. Za čiščenje uporabite krpo in malo topila. Po čiščenju lahko teleskopske droge obdelate z malo silikonskega pršila. Napršite droge in jih obrišite do suhega s papirnato ali običajno krpo. Lestev mora biti vedno suha, da se nanjo ne oprime prah.

E Prevažanje in skladiščenje

Teleskopsko lestev prenašajte zloženo in pokončno, da ne zdrsne narazen in se ne more odpreti.

Teleskopsko lestev vedno prenašajte v celoti zloženo. Tako so teleskopski drogovi zaščiteni pred udarci in poškodbami, ki bi lahko poslabšali delovanje lestve. Pri prevažanju lestev skrbno pritrdite na strešni prtljažnik ali v tovornjak, da se ne poškoduje.

Teleskopsko lestev skladiščite takole:

- Do konca jo zložite.
- Shranite jo v primernih pogojih (brez previsoke vlage, vročine, ne v bližino grelnih teles itd.).
- Ne sme biti izpostavljena nevarnosti poškodb zaradi vozil, težkih predmetov ali umazanije.
- Shranite jo na mestu, kjer vas lestev ne moti in ni prisotna nevarnost spotikanja.
- Lestev ne sme biti dostopna za izvedbo kaznivih dejanj; priporočamo, da jo zaklenete.
- Če je lestev trajno postavljena (na primer na gradbenem odru), mora biti zaščiten pred nepooblaščen uporabo (na primer s strani otrok).

SI

Pred uporabo

- Lastnik lestve mora uporabniku omogočiti dostop do navodil za uporabo.
- Pred prvo uporabo po dobavi je treba preveriti, ali je lestev v dobrem stanju in ali so vsi deli pripravljeni na uporabo.
- Za uporabo lestve morate biti v primernem zdravstvenem stanju. Nekatera zdravstvena stanja, zdravila in zloraba zdravil ali drog lahko povzročijo varnostna tveganja.
- Za varno uporabo je treba lestev vsak dan uporabe pregledati, da ugotovite, da ni poškodovana (glejte »Nega in vzdrževanje« v nadaljevanju).
- Če lestev uporabljate za obrt, jo morate redno dajati v pregled.
- Preverite, ali je lestev primerna za trenutno delo.
- Poškodovane lestve ne uporabljajte.
- Odstranite umazanijo, na primer mokro barvo, ilovico, olje in sneg.
- Pred uporabo lestve je treba opraviti oceno tveganja, med uporabo pa je treba upoštevati predpise države, v kateri jo uporabljate.
- Lestev je dovoljeno uporabljati in skladiščiti pri temperaturi okolja od -20 do 60 °C.

Postavitev

- Pred uporabo preverite, ali je lestev pravilno zaskočena.
- Lestev mora biti pravilno postavljena, pod kotom 75° na tla in z vodoravno postavljenimi prečniki.
- Lestev mora stabilno stati na ravni, vodoravni in trdni podlagi. Lestve ni dovoljeno nagniti v stran, namestiti tako, da katera od nog ni podprta, ali je postaviti na podlago, ki ni zavarovana pred drsenjem.
- Lestev naslonite na ravno in trdno površino, pred uporabo pa jo zavarujte, na primer s privezovanjem ali drugim smiselnim načinom stabilizacije. Lestve ne polagajte na prečke, ampak na teleskopske droge.
- Lestve v nov položaj ni dovoljeno premakniti od zgoraj.
- Upoštevajte nevarnost, da ob lestev udarijo pešci, avtomobili ali vrata.
- Opredelite vse nevarnosti zaradi električne napetosti na delovnem mestu, na primer daljnovode in druge nezaščitene priprave pod električno napetostjo.
- Lestev je dovoljeno postaviti samo na noge in ne na prečke.
- Lestve ni dovoljeno postaviti na spolzko podlago (na primer led, gladka ali zelo umazana površina), če prej ne opravite ustreznih ukrepov proti zdrsu ali temeljito ne očistite podlage.

Uporaba

- Lestev je dovoljeno obremeniti z največ 150 kg.
- Lestve ne uporabljajte, če ima neenakomerno višino prečk.
- Ne stojte na zgornjih treh prečkah naslonjene lestve.
- Lestve nikoli ne uporabljajte tako, da visi.
- Lestve ne izvlcite, zlagajte ali drugače uporabljajte tako, da je obrnjena na glavo.
- Lestve ne uporabljajte v vodoravnem položaju ali kot most. V izrednih situacijah jo lahko uporabite kot nosilo z dolžino največ 2 m.
- Lestve ne uporabljajte za dela, kjer nastaja umazanija, ali v umazanih okoljih. Če lestev uporabljate za zidanje, betoniranje ali barvanje, jo bo morda sčasoma težko očistiti in bo poslabšana njena sposobnost teleskopskega zlaganja.
- Lestve ne uporabljajte v jaških, napolnjenih z vodo, saj lahko zaradi tega v teleskopske droge vdre umazanija, kar lahko vpliva na delovanje.
- Teleskopske droge ščitite pred udarci in jih uporabljajte pazljivo, saj lahko poškodbe drogov vplivajo na delovanje teleskopskega zlaganja.
- Vlečnih prstanov ni dovoljeno na kakršen koli način povezati.
- Ne nagibajte se preveč v stran. Med celotnim delom mora biti zaponka za pas (ali popek) uporabnika znotraj lestve, obe stopali pa na isti prečki.
- Na lestev ne stopajte z večje višine, če prej ne poskrbite za dodatno zavarovanje, na primer s privezovanjem ali drugim smiselnim načinom stabilizacije.
- Lestve je treba uporabljati samo za kratkotrajna in lažja dela.
- Za električna dela uporabljajte neprevodno lestev.
- V slabem vremenu (npr. močnem vetru) lestve ne uporabljajte na prostem.
- Poskrbite, da se z lestvijo ne igrajo otroci.
- Vrata (razen zasilnih izhodov) in okna na delovnem mestu po možnosti zaklenite.

NAVODILA ZA UPORABO

- Pri hoji navzgor ali navzdol po lestvi imejte obraz obrnjen proti lestvi.
- Pri hoji navzgor ali navzdol po lestvi se te dobro oprimate.
- Pri uporabi lestve nosite primerne čevlje.
- Izogibajte se delom, ki povzročijo veliko stransko obremenitev, na primer vrtnje v zidove in beton.
- Na lestvi ne stojite predolgo in redno počivajte (utrujenost je dejavnik tveganja).
- Naslonjena lestev, ki se uporablja za doseganje višjih ravni, mora segati najmanj 1 meter nad višino izstopa.
- Pri delu na lestvi uporabljajte samo lahko in preprosto uporabno opremo.
- Pri delu držite lestev z eno roko, če pa to ni mogoče, poskrbite za druge varnostne ukrepe.

Nega in vzdrževanje

Teleskopska lestev je precizna naprava. Zaradi tega jo obravnavajte skrbno, da bo ohranila svoje edinstvene lastnosti.

Lestev ohranjajte vedno čisto, še posebej teleskopske droge.

Teleskopske lestve ni dovoljeno uporabiti brez gumijastih nog (zaščite pred zdrsom) in zaščitnih pokrovov. Zaščitni pokrovi preprečujejo vdor prahu, odrezkov pri vrtnanju in podobnega v teleskopske droge, kar bi vplivalo na delovanje lestve. Gumijaste noge in zaščitni pokrovi so potrošni material, ki je na voljo v strokovnih trgovinah. Zaščito je treba zamenjati takoj, ko opazite znake obrabe.

Vlečnih obročev ni dovoljeno zamenjati z drugo vrsto vlečnih obročev. Zaradi varnosti je dovoljeno uporabljati izključno originalne dele. Če morate zamenjati vlečne obroče, se obrnite na svojega strokovnega trgovca.

Teleskopsko lestev mora popravljati usposobljeno strokovno osebje. Teleskopske lestve ne uporabljajte, če jo je treba popraviti. Obrnite se na svojega strokovnega prodajalca.

POZOR! Če je nalepka z navodili na lestvi obrabljena ali nečitljiva, naročite novo. Za naslov za naročanje glejte hrbtno platnico navodil za uporabo ali se obrnite na strokovnega prodajalca.

SI

NAVODILA ZA UPORABO

Pred uporabo preverite:

- Teleskopski drogov ne smejo biti ukrivljeni, zviti, udarjeni, počeni ali korodirani.
- Priključni deli teleskopskih drogov morajo biti nepoškodovani.
- Deli okovja (kovice, vijaki itd.) ne smejo manjkati ali biti ohlapni ali korodirani.
- Prečke ne smejo manjkati ali biti obrabljene, korodirane ali poškodovane.
- Gumijaste noge in zaščitni pokrovi ne smejo manjkati, biti ohlapni, obrabljene, korodirane ali poškodovane.
- Celotna lestev mora biti čista (brez umazanije, ilovice, barve, olja ali masti).
- Naprave za zaklepanje ne smejo biti poškodovane ali korodirane in morajo pravilno delovati.

OPOZORILO! Lestve ne uporabljajte, če opazite zgoraj opisane napake.

GARANCIJSKI POGOJI

Proizvajalec zagotavlja, da je izdelek brez napak v materialu in izdelavi. Če je mogoče dokazati, da je prišlo do napak v materialu ali proizvodnji ali do škode zaradi napak v materialu in proizvodnji, ima kupec pravico do popravila ali zamenjave izdelka skladno z zakonodajo o prodaji potrošniškega blaga, ki velja v državi nakupa.

Razširjena garancija

Proizvajalec prevzema odgovornost za napake izdelka, ki se pojavijo v enem letu po izvornem datumu nakupa.

Obseg

Proizvajalec ne prevzema odgovornosti za okvare izdelkov, če se izkaže, da je verjetno, da je napaka nastala zaradi ene ali več izmed naslednjih okoliščin:

- Izdelek ni bil uporabljen skladno z navodili za uporabo.
- Izdelek ni bil čiščen, negovan, skladiščen ali prevažan skladno z navodili za uporabo.
- Izdelek je bil predelan, spremenjen ali poškodovan zaradi zunanjih vplivov ali nesreče.
- Izdelek je bil nenamerno poškodovan s tujki ali zunanjimi materiali.
- Izdelek je bil preobremenjen.
- Izdelek je bil popravljen s strani nepooblaščenih servisnih partnerjev ali so bili za popravilo uporabljeni neoriginalni deli.
- Izdelek je bil napačno vgrajen.

Kot napaka ne štejejo:

- običajna obraba,
- običajna poraba potrošnega materiala.

Reklamacija

Prvi pogoj za uveljavljanje garancije je predložitev potrdila o nakupu. Kupec mora strokovnega prodajalca v primernem (oziroma v državi nakupa predpisanem) času obvestiti o napaki, ki jo želi reklamirati.

Servis in popravilo

Morebitna vzdrževalna dela ali popravila mora vedno opraviti pooblaščen servisna delavnica, ki za vsak posamezni primer določi ustrezne ukrepe. Pri popravilu morajo biti vedno uporabljeni originalni nadomestni deli. Svojega strokovnega prodajalca vprašajte po informacijah o najbližji pooblaščen servisni delavnici ali naslov poiščite na zadnji platnici navodil za uporabo.

Teleskopijski rebrík je vysúvací rebrík, ktorý vďaka svojej unikátnej konštrukcii môže byť vysunutý z kompaktného formátu na plnú dĺžku alebo na určitú strednú dĺžku.

Aby boli zachované vlastnosti a funkčnosť rebríka, je veľmi dôležité dodržať rady a inštrukcie pre použitie, ošetrovanie a údržbu rebríka podľa priloženého návodu.

VAROVANIE! Teleskopijský rebrík musí byť pri použití vždy pevne zaistený. Vždy skontrolujte, že všetky vysunuté segmenty sú zabezpečené, než začnete liezť po rebríku. Skontrolujte najmä poistky a zaťahovacie krúžky.

A Rozloženie rebríka do plnej dĺžky

Teleskopijský rebrík sa automaticky zaaretuje, keď ho rozložíte. Každý segment má vlastnú aretáciu. Rozloženie teleskopijského rebríka do plnej dĺžky:

1. Rebrík umiestnite rovno na vodorovný a tvrdý podklad. Podržte rebrík jednou nohou tak, že ju postavíte na spodnú priečku rebríka. **Rebrík začnite rozkladať zhora:** Uchopte hornú priečku a vytiahnite ju nahor, až segment rebríka zapadne.
2. Potom vytiahnite ďalší segment. Skontrolujte, či poistka je v zapadnutej polohe v uhle 60°.
3. Pokračujte v rozkladanie segmentov rebríku, až je rebrík úplne rozložený do plnej dĺžky. Postupne dochádza k automatickému zaisteniu pozície jednotlivých segmentov.
4. **Skontrolujte, či sú všetky segmenty rebríka zaistené:** poistky majú byť zapadnuté v uhle 60°. Druhá najnižšia priečka rebríka má poistky so zatahovacími krúžkami. V polohe, keď je rebrík zaaretovaný, sú poistky **zapustené** do priečky. Keď je rebrík zaaretovaný, môžu byť vidieť pod priečkou iba krúžky. V prípade potreby môžete rebríkom trhnúť, aby došlo k riadnemu zapadnutiu všetkých segmentov.
5. Potom, čo ste skontrolovali, že všetky segmenty sú zabezpečené, môžete rebrík použiť. Umiestnite rebrík stabilne v uhle sklonu 75°.

VAROVANIE! Príložný rebrík musí byť opretý o rovný a pevný povrch a vopred použitím zaistený, napríklad tým, že ho pevne pripútate alebo stabilizujete iným zmysluplným spôsobom.

NÁVOD NA POUŽITIE

B Rozloženie rebríka do strednej dĺžky

Rozloženie teleskopijského rebríka na ľubovoľnú strednú dĺžku:

6. Umiestnite teleskopijský rebrík rovno na vodorovný a tvrdý podklad. Podržte rebrík jednou nohou tak, že ju postavíte na spodnú priečku rebríka. Uchopte tu priečku rebríka, ktorá má byť u rozloženého teleskopijského rebríka umiestená najvyššie a ťahajte smerom hore až do zaistenia tohto segmentu.
7. Pokračujte vo vyťahovaní až do úplného vytiahnutia tých segmentov, ktoré sú umiestené **pod** priečkou, ktorú ste si zvolili za najvyššiu. Segmenty, ktoré nebudete používať, musia byť zložené vo vrchnej časti rebríka. Skontrolujte, či poistka je v zapadnutej polohe v uhle 60°.
8. **Uistite sa, že všetky otvorené priečkové segmenty sú zaaretované:** poistky musí byť zapadnuté v uhle 60°. Druhá najnižšia priečka rebríka má poistky so zatahovacími krúžkami. V polohe, keď je rebrík zaaretovaný, sú poistky **zapustené** do priečky. Keď je rebrík zaaretovaný, môžu byť vidieť pod priečkou iba krúžky. V prípade potreby môžete rebríkom trhnúť, aby došlo k riadnemu zapadnutiu všetkých segmentov.
9. Po skontrolovaní, že všetky vysunuté segmenty rebríka sú zaaretované, môžete rebrík začať používať. Umiestnite rebrík stabilne v uhle sklonu 75°.

POZOR! Rozložený rebrík nie je možné v tejto polohe skracovať. Ak potrebujete rebrík skrátiť, musíte ho najprv úplne zložiť a potom ho rozložiť na ľubovoľnú strednú dĺžku.

C Zloženie rebríka

Teleskopijský rebrík zložte nasledujúcim spôsobom:

10. Rebrík v prípade potreby riadne očistite (pozri nižšie).
11. Držte rebrík v takej polohe, aby ste si pri jeho uvoľňovaní alebo skladaní **nemohli priškripnúť ruku:** uchopte teleskopijské trubky v ich hornej časti, aby bol rebrík v rovnováhe.
12. Vytiahnite krúžky druhou rukou, jeden po druhom, aby sa blokovací mechanizmus uvoľnil a mohli ste rebrík zložiť. (Niekedy sa musí prvý zatahovacia krúžok stiahnuť znova dole).

NÁVOD NA POUŽITIE

13. Uchopte rebrík za teleskopické trubky v ich hornej časti a zasunujte rebrík za neustálej kontroly oboma rukami.

VAROVANIE! RIZIKO PRIŠKRÍPNUTIA! Nedržte ruky na priečkach alebo medzi nimi pri odaretovaní a skladaní rebríka. Skladajte každý segment rebríka za neustálej kontroly.

D Čistenie

Z bezpečnostných a funkčných dôvodov má byť teleskopický rebrík vždy udržiavaný v čistote, najmä teleskopické trubky a priečky. Nečistoty, prach, škvŕny od farby, lepidlá a ďalšie znečistenia je potrebné umyť alebo utrieť po každom použití, a predtým, než rebrík zložíte. Rebrík čistite pomocou handričky s rozpúšťadlom. Po vyčistení možno teleskopické trubky ošetriť silikónovým sprejom. Nastriekajte rúrky sprejom a vytrite do sucha papierom alebo handrou. Rebrík by mal byť vždy suchý, aby neviazal prach.

E Preprava a skladovanie

Teleskopický rebrík skladujte v kompaktnom formáte a vzpriamenej polohe, tak, aby sa nemohol otvoriť a rozložiť.

Teleskopický rebrík musí byť pri transporte úplne uzavretý a v kompaktnom formáte. Tým sa chráni teleskopické trubky proti nárazu a poškodeniu, ktoré môžu mať negatívny vplyv na funkčnosť rebríka. Upevnite rebrík pri transporte bezpečne na strešnom nosiči alebo v nákladnom automobile tak, aby sa nemohol poškodiť.

Teleskopický rebrík skladujte

- úplne zložený v kompaktnom formáte,
- v podmienkach, kde nedôjde k jeho nepoškodeniu (ako sú vlhkosť, teplo, blízko výhrevných telies, atď.),
- tak, aby nemohol byť poškodený vozidlami, ťažkými predmetmi alebo znečistením,
- na mieste, kde neprekáža alebo kde nehrozí nebezpečenstvo zakopnutia o neho,
- tak, aby nemohol byť ľahko zneužitý na kriminálne účely, najlepšie zaistený zámkom,
- zaistený pred použitím nepovolnou osobou (napr. deťmi), ak je umiestnený trvalo (napr. u lešenia).

Pred použitím

- Majiteľ rebríka musia zabezpečiť, aby užívateľ mal k dispozícii príručku.
- Pred prvým použitím po dodávke je potrebné overiť, že rebrík je v dobrom stave a že všetky jeho časti sú funkčné.
- Váš zdravotný stav musia umožňovať používanie rebríka. Určité ochorenia, lieky, použitie alkoholu alebo drog, môžu viesť k bezpečnostným rizikám.
- Pre bezpečné používanie rebríka by mal byť tento kontrolovaný každý pracovný deň za účelom overenia, že nie je poškodený, vid' „Starostlivosť a údržba“ nižšie.
- Ak je rebrík používaný na profesionálne účely, musí byť kontrolovaný pravidelne.
- Uistite sa, že rebrík je vhodný pre vašu prácu.
- Nepoužívajte poškodený rebrík.
- Odstráňte nečistoty, ako sú vlhké farby, blato, olej a sneh.
- Pred použitím rebríka pre prácu je nutné vykonať analýzu rizík, a rešpektovať predpisy krajiny, v ktorej je používaný.
- Rebrík má byť používaný a skladovaný pri teplote okolia od -20° C do 60° C.

Umiestnenie

- Uistite sa, že rebrík je pred použitím správne zaaretovaný.
- Rebrík musí byť umiestnený správne, so sklonom uhlu 75 ° voči podkladu a s priečkami vo vodorovnej polohe.
- Rebrík musí stáť pevne na rovnom, vodorovnom a pevnom povrchu. Rebrík sa nesmie nakláňať do strany, nesmie mať nezaťažené nohy a nesmie byť umiestnený na klzkom povrchu.
- Príložný rebrík musí byť opretý o rovný a pevný povrch a zaistený pred použitím, napríklad tým, že ho pevne pripútate alebo stabilizujeme iným zmysluplným spôsobom. Neopierajte rebrík o priečky, ale o postranné trubky.
- Rebrík nesmie byť premiestňovaný na nové miesto práce zhora.
- Zvážte riziko, či nemôžu do postaveného rebríka naraziť chodci, autá alebo dvere.
- Identifikujte všetky riziká spojené s elektrickým prúdom na pracovisku, ako sú voľne umiestnená vedenia prúdu a ďalšie nechránené elektrické zariadenia.

- Rebrík musí byť postavený na nohy, nie na priečky.
- Rebrík sa nesmie stavať na klzký povrch (napr. ľad, hladký povrch alebo značne znečistené plochy), ak neboli vykonané opatrenia proti pošmyknutiu rebríka, alebo ak nebol povrch vyčistený.

Použitie

- Maximálne povolené zaťaženie rebríka je 150 kg.
- Rebrík nesmie byť používaný s nepravidelnou výškou priečok.
- Nestúpajte na tri najvyššie priečky príložného rebríku.
- Rebrík nesmie byť nikdy používaný ako zavesený.
- Rebrík sa nesmie rozkladať, skladať ani používať v polohe hore nohami.
- Rebrík sa nesmie používať vo vodorovnej polohe alebo ako premostenie. V prípade núdze môže byť rebrík výnimočne použitý ako nosidlá, ak dĺžka nosidiel nepresahuje 2 metre.
- Nepoužívajte rebrík pri práci, kde vzniká veľké množstvo špiny, alebo v znečistenom prostredí. Ak napríklad rebrík využívate v stavebníctve pri murárskych, betonárskych alebo maliarskych prácach, môže byť časom ťažké ho vyčistiť a jeho teleskopická funkcia tým je ohrozená.
- Nepoužívajte rebrík v šachtách naplnených vodou, môže to spôsobiť preniknutie nečistôt do teleskopických trubiek a ovplyvnenie ich funkčnosti.
- Nevystavujte teleskopické trubky nárazom alebo inému hrubému zaobchádzaniu. Poškodenie trubiek negatívne ovplyvňuje ich teleskopickú funkciu.
- Zaťahovacia krúžky sa nesmie v žiadnom prípade spájať.
- Nenahýbajte sa príliš ďaleko do strán. Počas celého pracovného procesu na rebríku je potrebné, aby sa pracka opasku užívateľa (popr. pupok) nachádzala medzi bočnicami rebríka a jeho obe nohy boli na rovnakej priečke.
- Nevstupujte na príložný rebrík vo veľkých výškach bez ďalšieho istenia, ako je napríklad pevné uviazanie rebríka alebo iná vhodná stabilizačná metóda.
- Rebríky by mali byť používané len pre ľahšiu prácu a krátkodobu.
- Pre elektroinštalačné práce používajte nevodivý rebrík.

NÁVOD NA POUŽITIE

- Nepoužívajte rebrík vonku za zlého počasia, ako napríklad pri silnom vetre.
- Dbajte na to, aby si s rebríkom nehrali deti.
- Zamknite dvere (nie núdzové východy) a okná na pracovisku, ak je to možné.
- Pri lezení po rebríku hore a dole stojte vždy tvárou proti rebríku.
- Pri lezení po rebríku hore a dole sa vždy dobre držte rebríka.
- Pri práci na rebríku používajte vždy vhodnú obuv.
- Vyhňte sa práci, ktorá by vyžadovala veľký náklon a zaťaženie smerom do strany, napríklad vrtanie do steny alebo betónu.
- Nestojte na dlhú dobu na rebríku, bez toho aby ste zaradili častejšie prestávky (únava je rizikový faktor).
- Príložný rebrík, ktorý sa používa na lezenie na vyššie úrovne, by mal presahovať aspoň 1 meter nad miesto výstupu.
- Pri práci na rebríku používajte iba ľahké a jednoduché vybavenie.
- Ak je to možné, pridržajte sa pri práci na rebríku jednou rukou rebríka, prípadne prijmite iné vhodné opatrenia.

Starostlivosť a údržba

Váš teleskopický rebrík je presný nástroj. Zaobchádzajte s rebríkom opatrne a tak, aby si zachoval svoje jedinečné vlastnosti.

Udržujte rebrík vždy čistý, predovšetkým teleskopické trubky.

Teleskopický rebrík nesmie byť používaný bez gumových nožičiek (ochrana proti pošmyknutiu) a ochranných krytov. Ochranné kryty zabráňujú prenikaniu prachu, kovových triesok a podobne do teleskopických trubiek, čo by mohlo inak narušiť funkčnosť rebríka. Gumové nožičky rebríka a ochranné kryty sú opotrebitelné diely, dodávané predajcom. Vymeňte tieto ochranné prvky, ak sú opotrebované.

Zaťahovacie krúžky sa nesmú meniť za iné druhy a typy takýchto krúžkov. Z bezpečnostných dôvodov môžu byť použité len originálne diely. Kontaktujte svojho predajcu, pokiaľ je nutné zaťahovacie krúžky vymeniť.

Teleskopický rebrík smie byť opravovaný iba kvalifikovaným personálom. Nepoužívajte teleskopický rebrík, ak si vyžaduje opravu, ale obráťte sa na svojho predajcu.

NÁVOD NA POUŽITIE

POZOR! Objednajte si nový štítok s inštrukciami, ak štítok na rebríku začína byť opotrebovaný a zle čitateľný. Pozrite adresy na zadnej strane návodu na použitie alebo kontaktujte svojho miestneho predajcu.

Skontrolujte pred použitím, že

- teleskopické trubky nie sú ohnuté, skrútené, preliačené, popraskané alebo skorodované
- teleskopické trubky sú na všetkých spojoch nepoškodené
- žiadne kovania (nity, skrutky, atď.) nechýbajú, nie sú uvoľnené alebo skorodované
- priečky nechýbajú, nie sú uvoľnené, opotrebované, skorodované alebo poškodené
- gumové nožičky a ochranné kryty nechýbajú, nie sú voľné, opotrebované, skorodované alebo poškodené
- celý rebrík je čistý (bez nečistôt, blata, farby, oleje alebo mazivá)
- aretovacie zariadenia nie sú poškodené alebo skorodované, a že fungujú správne.

VAROVANIE! Nepoužívajte rebrík, ak zistíte vady, ktoré sú popísané vyššie.

ZÁRUČNÉ PODMIENKY

Výrobca zaručuje, že výrobok je bez chyby materiálu a spracovania. V prípade preukázateľnej chyby materiálu alebo spracovania, alebo škody vzniknuté v dôsledku chyby materiálu alebo spracovania, ktoré sú preukázateľné, má kupujúci nárok na opravu alebo výmenu výrobku v súlade so zákonmi o predaji spotrebného tovaru, ktoré sú platné v krajine nákupu.

Rozšírená záruka

Výrobca je zodpovedný za vady výrobku, ktoré sa vyskytnú v priebehu jedného roka od pôvodného dátumu kúpy.

Rozsah

- Výrobca nie je zodpovedný za vady výrobku, ak je pravdepodobné, že chyba vznikla v dôsledku
- používania výrobku iným spôsobom, než je popísané v návode na použitie
 - nedostatočného čistenia, údržby, skladovania alebo transportu, ktorý je v rozpore s návodom na použitie
 - prestavby, zmeny alebo expozície inému vonkajšiemu poškodeniu alebo nehode
 - náhodného poškodenia cudzími predmetmi alebo látkami
 - preťaženia
 - opravy neautorizovaným servisným partnerom, alebo použitím iných ako originálnych náhradných dielov
 - nesprávnej inštalácie.
- Za vadu nie je považované
- bežné opotrebovanie
 - bežná spotreba opotrebitelných dielov.

Reklamácie

Pre platnosť záruky je nutné predložiť účtenku o nákupe. Kupujúci musí oznámiť predajcovi zá vadu, ktorú chce reklamovať, v primeranej lehote po tom, čo bola zá vada zistená, alebo v lehote stanovenej v krajine nákupu.

Servis a opravy

Akékoľvek služby alebo opravy by mali byť vždy vykonávané výhradne autorizovaným servisným strediskom, ktoré v každom jednotlivom prípade vykoná hodnotenia a navrhne vhodné opatrenia. Pri oprave je nutné používať vždy originálne náhradné diely. Kontaktujte svojho predajcu pre zistenie, kde sa nachádza najbližšie autorizované servisné stredisko, alebo vyhľadajte adresu na zadnej strane návodu na použitie.

Teleskopik merdiven eşsiz dizaynı sayesinde kapalı durumdan tam boyda veya yarım boyda açılabilir.

Merdivenin tüm özelliklerini ve fonksiyonlarını kullanılır durumda tutmak için, kullanım kılavuzunda belirtildiği şekilde kullanımı, korunması ve bakımı yapılmalıdır.

DİKKAT! Teleskopik merdiven kullanılacağı zaman her seferinde dikkatli bir şekilde kilitlenmiş olmalıdır. Merdivene çıkılmadan önce her zaman merdivenin tüm açık kısımlarının kilitli olduğu kontrol edilmeli ve emin olunmalıdır. Halkalı kilit kulpları özellikle kontrol edilmelidir.

A Merdivenin Tam Boyda Açılması

Teleskopik merdiven açıldığı zaman otomatik olarak kilitlenir. Her kısmın kendine ait kilitlemesi vardır. Teleskopik merdivenin tam boyda açılması:

1. Merdiven, düz, yatay, sağlam bir zemin üzerine dik bir şekilde yerleştirilir. En alttaki basamağa bir ayakla basılarak, merdiven sabitlenir. Merdiveni açmaya üstten başlayınız: **En üst basamağı kavrayınız ve merdiven kısmı kilitlenene kadar yukarıya doğru çekiniz.**
2. Sonra bir sonraki merdiven kısmını açınız. Kilit kulplarının basamakla 60°lik açı oluşturacak şekilde düşüp düşmediğini kontrol ediniz.
3. Merdiven tam boyda açılıncaya kadar tüm kısımları birer birer açmaya devam ediniz. Merdiven kısımları zamanla otomatik olarak kilitlenir.
4. **Tüm merdiven kısımlarının kilitli olduğunu kontrol ediniz:** Kilit kulpları 60°lik açı ile düşmüş olacaktır. En altın bir üstündeki basamağın çekme halkalı kilit kulpları vardır. Basamağın içinde oldukları zaman kilitli durumdadırlar. Merdiven kilitlendiği zaman basamağın altında sadece çekme halkaları gözükecektir. Eğer gerekiyorsa, tüm merdiven kısımları kilitli konuma düşecek şekilde merdivene ayar yapın.
5. Tüm merdiven kısımlarının kilitli olduğunu kontrol ettiğiniz ve emin olduğunuz zaman merdiveni kullanabilirsiniz. Merdiveni, düzgün, sıkı bir şekilde yer ile 75°lik dayanma açısı oluşturacak şekilde sabitleyerek yerleştiriniz.

KULLANMA KILAVUZU

UYARI! Anliggande merdiven düz ve sağlam bir yüzeye dayandırılmalı ve kullanımdan önce güvenliği sağlanmalıdır, örn.; uygun bir düzenek yardımıyla sağlamlaştırma veya sabitleyerek bağlama yoluyla.

B Merdivenin Yarım Boyda Açılması

Merdivenin isteğe bağlı herhangi bir yarım boyda açılması:

6. Merdiven, düz, yatay, sağlam bir zemin üzerine dik bir şekilde yerleştirilir. En alttaki basamağa bir ayakla basılarak, merdiven sabitlenir. Açılan teleskopik merdivende en üstte kalacak merdiven basamağını tutun ve basamak kilitlenene kadar yukarı çekin.
7. **Altta kalan** tüm merdiven basamakları çekilmiş duruma gelene kadar merdiveni açmaya devam edin, kullanılmayan merdiven basamakları en üstte toplanmış olacaktır. Kilit kulplarının basamakla 60°lik açı oluşturacak şekilde düşüp düşmediğini kontrol ediniz.
8. **Tüm açık merdiven kısımlarının kilitli olduğunu kontrol ediniz:** Kilit kulpları 60°lik açı ile düşmüş olacaktır. En altın bir üstündeki basamağın çekme halkalı kilit kulpları vardır. Basamağın içinde oldukları zaman kilitli durumdadırlar. Merdiven kilitlendiği zaman basamağın altında sadece çekme halkaları gözükecektir. Eğer gerekiyorsa, tüm merdiven kısımları kilitli konuma düşecek şekilde merdivene ayar yapın.
9. Tüm açık merdiven kısımlarının kilitli olduğunu kontrol ettiğiniz ve emin olduğunuz zaman merdiveni kullanabilirsiniz. Merdiveni, düzgün, sıkı bir şekilde yer ile 75°lik dayanma açısı oluşturacak şekilde sabitleyerek yerleştiriniz.

UYARI! Halihazırda açık olan merdiveni kısaltamazsınız. Eğer merdiveni daha kısa yapmanız gerekiyorsa, ilk önce merdiveni tamamen kapatmalı ve daha sonra istediğiniz boyya kadar açmalısınız.

KULLANMA KILAVUZU

C Merdivenin Kapatılması

Teleskopik merdiveni aşağıda anlatıldığı şekilde kapatınız:

10. Gerekliyse merdiveni temizleyiniz. (alta bknz).
11. Merdiveni kaparken ve kilitleri açarken, merdiveni dik, ayakta olacak ve bir yerinizin sıkışmayacağı şekilde tutunuz. Teleskopik boruyu merdivenin biraz yukarisından tutunuz böylece daha iyi denge sağlarsınız.
12. Diğer elinizle birer birer çekme halkalarını aşağıya çekiniz, böylece kilit mekanizması çözülür ve merdiveni kapatabilirsiniz. (Bazen ilk çekme halkasını bir kez daha çekmeniz gerekebilir.)
13. Merdivenin teleskopik borusunu merdivenin biraz yukarisından tutunuz ve iki elinizle birden **kontrol ederek** birlikte itiniz.

SIKIŞMA RISKİ UYARISI! Kilitleri açarken ve merdiveni kapatırken, ellerinizi basamakların üzerinde veya arasında tutmayınız. Her bir merdiven kısmını kontrollü bir şekilde kapatınız.

D Temizleme

Güvenlik ve fonksiyonel sebeplerden ötürü teleskopik merdiven her zaman temiz tutulmalıdır, özellikle teleskopik boru ve basamaklar. Kir, talaş, boya sıçraması, tutkal ve diğerleri, her kullanımdan sonra merdiveni kapatmadan önce, yıkanarak veya kurutularak çıkartılmalıdır. Merdiveni bir çaput kullanarak biraz çözücü ile temizleyiniz. Temizlemeden sonra, teleskopik boru silikon sprey ile elden geçirilebilir. Boruyu spreyleyin ve kağıt veya çaputla kurulaşın. Merdiven toz bağlamaması için her zaman kuru olmalıdır.

E Nakletme ve Saklama

Teleskopik merdiveni kompakt durumda ve dik şekilde taşıyınız böylece merdivenin düşmesi ve açılması önlenmiş olur.

Teleskopik merdiveni, tamamen kapalı olarak, kompakt durumda naklediniz. O zaman teleskopik boru, merdivenin fonksiyonunu bozabilecek darbe ve zararlara karşı korunmuş olur. Nakil esnasında merdiveni, üst bagajda veya kamyonunda, zarar görmemesi için, düzgün bir şekilde sabitleyiniz.

Teleskopik merdiven aşağıda yazılanlar doğrultusunda saklanmalıdır:

- Kompakt durumda tamamen kapalı şekilde

- aşınmayacağı bir konumda (örn. ıslak, ısı, radyatör kenarında)
- taşıttan, ağır eşyadan veya kirletici maddeden zarar görmeyecek şekilde
- yol üstünde durmayacak şekilde ve takılma riskine e yol açmayacak şekilde
- kolayca suç amaçlı kullanılmayacak şekilde, mümkünse kilitli olarak
- uygunsuz kullanımını önleyecek şekilde (örn. çocuklar tarafından) eğer sürekli kalıyorsa (örn. yapı iskelesinde).

Kullanmadan Önce

- Merdivenin sahibi, kullanıcının kılavuz kitaba ulaşma olanağının bulunduğundan emin olur.
- İlk kullanımdan önce teslimden sonra merdivenin iyi durumda olduğunu ve tüm parçaların çalışır halde olduklarını kontrol etmeniz gerekmektedir.
- Sağlık durumunuz merdivenin kullanımına el vermemelidir. Bazı sağlık durumları, ilaçlar, alkol veya uyuşturucunun aşırı kullanımı, güvenlik risklerine yol açabilir.
- Merdivenin güvenli kullanımı için, hiç bir zarar görmemiş olduğunun kontrolü için, kullanılacağı her iş günü incelenmelidir, bknz. "Bakım ve Koruma".
- Eğer merdiven profesyonel olarak kullanılacaksa, düzenli olarak incelenmelidir.
- Yapılmakta olan işe uygun olup olmadığını kontrol ediniz.
- Hasarlı merdiveni kullanmayınız.
- Islak boya, toprak, çamur, yağ, kar gibi kirleri çıkarınız.
- Merdiven işte kullanılmadan önce risk analizi yapılır ve kullanılacağı ülkedeki yürürlükteki kurallar geçerlidir.
- Merdiven -20°C ile 60 °C arası çevre hava sıcaklığında kullanılmalı ve saklanmalıdır.

Yerleştirme

- Kullanmadan önce düzgün bir şekilde kilitli olduğunu kontrol ediniz.
- Merdiven doğru şekilde, yer ile 75° dayama açısı yapacak ve basamaklar yatay olacak şekilde yerleştirilmelidir.
- Merdiven düz, yatay ve sağlam bir zemin üzerinde sabit bir şekilde dikilmelidir. Merdiven yana eğilmemeli, oturmamış bir ayağı bulunmamalı eller kaygan zemine konmamalıdır.

- Dayamalı merdiven düz ve sağlam bir yüzeye dayandırılmalı ve kullanımdan önce güvenliği sağlanmalıdır, örn.; uygun bir düzeneğe bağlama yoluyla. Merdiveni, boruyu dayanmadan, basamağa dayamayınız.
- Merdiven yukarıdan yeni bir pozisyona taşınmamalıdır.
- Örnek olarak yayaların, arabaların veya kapıların merdivenle çarpışma riskini göz önünde tutunuz.
- İş yerindeki tüm elektrik risklerini tanımlayınız, elektrik direği kabloları ve diğer korunaklı olmayan elektrik teçhizatı gibi.
- Merdiven basamaklar üzerine değil, ayaklarının üzerine konmalıdır.
- Merdiven kaygan zemin üzerine koyulmamalıdır (örn. buz, parlak yüzey veya cididi derecede baştan aşağı kirlenmiş yüzey), eğer merdiven kaymasın diye önlemler alınmamışsa, zeminin temizliği düzgün yapılmamış ise.

Kullanım

- Merdivene en fazla 150 kg yük binmelidir.
- Merdiven uygun olmayan merdiven yüksekliğinde kullanılmamalıdır.
- Dayanmış olan dayamalı bir merdivende, en üst üç basamakta durmayınız.
- Merdiven asılı olarak kullanılmamalıdır.
- Merdiven başaşağı olacak şekilde açılmamalı, kapatılmamalı veya kullanılmamalıdır.
- Merdiven yatay konumda veya kötü olarak kullanılmamalıdır. Acil bir durumda, eğer uzunluk 2 metrenin üzerinde değilse, merdiven sedye olarak kullanılabilir.
- Merdiveni kirli işlerde ve kirli çevrelerde kullanmayınız. Örnek olarak, eğer tuğla duvar örmede, betonlamada veya boyamada kullanılırsa, zamanla temizlenmesi zorlaşır ve teleskopik fonksiyon bozulur.
- Su dolu kuyularda kullanmayınız, bu teleskopik borunun içine kirlerin işlenmesini sağlayabilir ve fonksiyonu bozar.
- Teleskopik boruyu darbeye veya diğer bir sert muameleye mağruz bırakmayınız. Borudaki hasarlar teleskopik fonksiyonu bozar.
- Çekme halkaları başka bir şekilde birlikte bağlanmamalıdır.
- Yana doğru çok fazla uzanmayınız. Kullanıcının kemer tokası (göbek çukuru) merdivenin kenarlarının içinde olmalı ve iş sırasında, iş

KULLANMA KILAVUZU

süresi boyunca, her iki ayak aynı basamakta olmalıdır.

- Merdivenin sıkıca bağlanması veya elverişli sabitleyici bir düzeneğe kullanmak gibi ek önlemler almadan çok yüksekteki dayanmış dayamalı merdivene büyük adımlarla çıkmayınız.
- Merdivenler kısa süreliğine, sadece daha hafif işlere kullanılırlar.
- Elektrik işlerine iletken olmayan merdiven kullanınız.
- Merdiveni kötü havalarda dışarıda kullanmayınız, örn. kuvvetli rüzgar.
- Çocukların merdivenle oynamasına engel olunuz.
- Eğer mümkünse iş yerindeki kapıları (acil çıkışlar hariç) ve pencereleri kapatınız.
- Yüzünüz merdivene bakacak şekilde merdivene inip çıkınız.
- Merdivene inip çıkarken kendinizi sağlam ve düzgün bir şekilde tutunuz.
- Merdiveni kullanırken elverişli ayakkabılar kullanınız.
- Yanlara çok fazla ağırlık binmesi gerektiren işlerden kaçınınız, örn. duvar veya beton matkaplama.
- Bir merdivende düzenli olarak ara vermeden uzun periyodlarla durmayınız. (yorgunluk bir risktir).
- Daha yüksek bir kata çıkmak için kullanılacak olan dayamalı merdiven, merdivenden inme düzleminden en az 1 metre yukarıda olmalıdır.
- Merdiven üzerinde çalışırken sadece hafif ve az zahmetli teçhizat kullanınız.
- Merdiven üzerinde çalışırken bir elinizle kendinizi sıkı bir şekilde tutunuz, veya bunu yapamıyorsanız diğer emniyet tedbirlerini alınız.

Bakım ve Koruma

Teleskopik merdiveniniz hassas bir alettir. Merdivene, eşsiz özelliklerini muhafaza etmesi için itina ile sakınarak muamele ediniz.

Merdiveni her zaman temiz tutunuz, özellikle teleskopik boruyu.

Teleskopik merdiven lastik ayaklar (kaymaya karşı koruma) ve merdiven başlığı olmadan kullanılmamalıdır. Merdiven başlığı, tozun, matkap talaşının veya benzerlerinin teleskopik borunun içine girmesini ve merdivenin fonksiyonunu bozmasını önler. Merdivenin lastik ayakları ve merdiven başlığı, aşınan yıpranan parçalardır ve

KULLANMA KILAVUZU

satışları, satış temsilcisi tarafından yapılmaktadır. Yıpranmaya başladıkları zaman korumaları çıkarınız.

Çekme halkaları başka tip çekme halkaları ile değiştirilmemelidirler. Güvenlik sebebiyle sadece orjinal parçalar kullanılır. Çekme halkalarının değişmesi gerekiyorsa satış temsilcisi ile iletişime geçiniz.

Teleskopik merdiven yetkili tamirci tarafından tamir edilir. Onarılması gerekiyorsa, teleskopik merdiveni kullanmayınız, satış temsilcisi ile iletişime geçiniz.

DİKKAT! Merdivenin üzerindeki çıkartma yıpranmaya ve zor okunmaya başladığı zaman yeni bir yönerge çıkartması ısmarlayınız. Kullanım kılavuzunun arka yüzündeki adrese bakınız veya yerel satış temsilcisi ile iletişime geçiniz.

Kullanmadan önce kontrol ediniz:

- teleskopik borunun eğilip bükülmediğini, burkulmadığını, darbeye içeri gömülmediğini, çatlamadığını, hasar görmediğini
- teleskopik borunun bağlantılarda tam olduğunu
- köşebent'in (perçin çivileri, vidalar vb.) eksik olmadığını, gevşek oturup oturmadığını veya hasar görüp görmediğini
- basamakların, eksik, gevşek, yıpranmış, hasar veya zarar görmüş olmadığını
- lastik ayakların ve tepe korumasının, eksik, gevşek, yıpranmış, hasar veya zarar görmüş olmadığını
- tüm merdivenin temiz olduğunu (hiç bir kir, toprak, çamur, boya, yağ veya gres olmadığını)
- kilit düzeneklerinin hasar veya zarar görmediğini ve olması gerektiği gibi çalıştıklarını.

UYARI! Yukarıda yazanların doğrultusunda eksikler farkederseniz merdiveni kullanmayınız.

GARANTİ KOŞULLARI

Üretici, ürünün malzeme ve üretim hatasından muaf olduğunu garanti eder. Malzeme veya üretim hatası veya malzeme veya üretim hatasından ötürü meydana gelmiş hasar kanıtlanabilirse, alıcının, satın alınan gerçekleştirdiği ülkede geçerli olan tüketici mallar satış yasalarına uygun olarak, ürünü tamir ettirme veya değiştirme hakkı mevcuttur.

Geniştirilmiş Garanti Geçerliliği

Üretici, satınalma tarihinden itibaren bir yıl içinde meydana gelen ürün hatalarından sorumludur.

Geçerlilik Alanı

Üretici aşağıdaki sebeplerden dolayı oluşabilecek hatalardan sorumlu değildir:

- ürün kullanım kılavuzunda belirtildiği gibi kullanılmamışsa
- ürünün temizliği, bakımı, koruması, saklanması, nakliyesi kullanım kılavuzunda belirtildiği gibi yapılmamışsa
- ürün yeniden tasarlanmış, tadil edilmiş, değiştirilmiş ya da başka bir harici zarara veya kazaya uğramış ise
- ürün bilinçsizce yabancı bir nesne ya da madde tarafından hasara uğratılmış ise
- ürüne aşırı yüklenme yapılmışsa
- ürün yetkisi olmayan servis tarafından tamir edilmiş veya orjinalinden başka yedek parçalar kullanılmış ise
- ürün yanlış bir şekilde kurulmuş ise.

Hata olarak görülmeyen durumlar:

- ürünün olağan aşınması
- aşınan parçaların olağan tüketimi.

Şikayet

Garantinin geçerli olması için alış fişi/makbuzu gösterilmelidir. Alıcı şikayette bulunmak istiyorsa, şikayet etmek istediği kusur hakkında, kusurun farkedildiği andan itibaren uygun bir zaman içinde veya satınalmanın gerçekleştiği ülkede belirlenmiş geçerli olan zaman diliminde satış temsilcisine bilgi vermelidir.

Servis ve Onarım

Olası muhtemel servis ve onarım işleri, her zaman, her bir özel durum için uygun tedbir hakkında bir değerlendirme yapacak olan yetkili servis tarafından yapılmalıdır. Onarımda her zaman orjinal yedek parça kullanılır. Size en yakın yetkili servisin nerede bulunduğunu öğrenmek için satış temsilcinizle iletişime geçin ya da kullanım kılavuzunun arkasındaki adrese bakınız.



Made by Telesteps AB
Tennngatan 4, 573 38 Tranås, Sweden
+46 (0)140 38 68 00
Member of the Gunnebo Industries Group

www.telesteps.com

